

## Product Description

FlexoStretch accessory is intended for lifting and transferring patients in a horizontal supine position. The patient is carried by a LiftSheet™. The width of the stretcher can be adjusted between 70 and 95 cm, by pulling the lift arms either out or in.

FlexoStretch accessory is equipped with a Stretch Leveller to make it easy to control the centre of gravity during the lift.

FlexoStretch accessory can be used together with: LikoGuard™ overhead lift, Likorall™ overhead lift, Multirall™ overhead lift, Viking™ L mobile lift, Viking™ XL mobile lift and Golvo™ mobile lift.

*In this document, the person being lifted is referred to as the patient, and the person helping them is referred to as the caregiver.*

### **IMPORTANT!**














Lifting and transferring a patient always involves a certain level of risk. Read the instructions for use for both the patient lift and lifting accessories before use. It is important to completely understand the contents of the instructions for use. The equipment should only be used by trained personnel. Ensure that the lifting accessories are suitable for the lift used. Exercise care and caution during use. As a caregiver, you are always responsible for the patient's safety. You must be aware of the patient's ability to make it through the lifting situation. If something is unclear, contact the manufacturer or supplier.

# Table of Contents

Symbol Description .....	3
Safety Instructions .....	4
Definitions .....	4
Technical Data .....	4
Maximum Load.....	4
Recommended Lifting Accessories.....	5
Assembly .....	6
Positioning of LiftSheet™ .....	7
Lifting using LiftSheet™ .....	9
Care and Maintenance .....	10

# Symbol Description

These symbols can be found in this document and/or on the product.

Symbol	Description
	Warning; this situation requires extra care and attention
	Read instructions for use before use
	CE mark
	Legal manufacturer
	Date of manufacture.
	Caution! consult instructions for use
	Read instructions for use before use
	Head end of the product
	Product Identifier
	Serial Number
	Medical Device
	Recyclable
	GS1 Data Matrix Barcode that may contain following information (01) Global Trade Item Number (11) Production Date (21) Serial Number

# Safety Instructions

## **⚠ Before lifting, keep the following points in mind:**

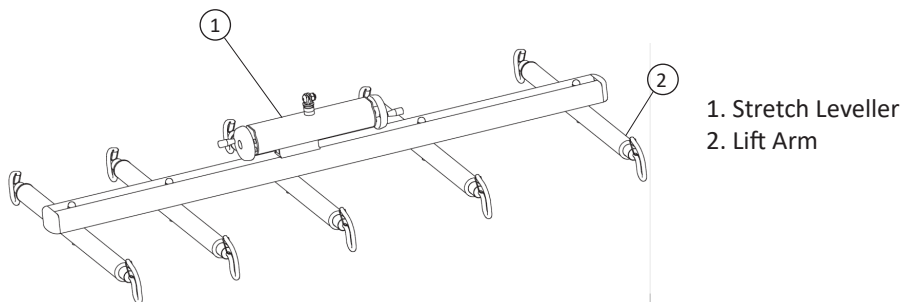
- Ensure that the lifting accessory is properly attached to the lift.
- We recommend that at least two caregivers assist during lifting with FlexoStretch™ accessory.
- Plan the lifting operation so that it can be done as safely and smoothly as possible.
- Although FlexoStretch accessory is equipped with latches, special caution must be exercised. Before the patient is lifted from the underlying surface, but when the straps are fully extended, make sure the straps are correctly connected to the stretcher.
- Make sure that any castors on beds, gurney, etc., are locked during lifting/transferring operation. However, the mobile lift's castors should be unlocked when it is used with the stretcher.

## **⚠ Never leave a patient unattended during a lifting situation.**

## **⚠ The stretcher must not be modified under any circumstance. If you have any questions, please contact Hill-Rom.**

CE Medical Device Class I Product

## Definitions



See Recommended lifting accessories page 5.

## Technical Data

**Maximum load:** 300 kg (660 lbs).  
**Width:** 95 cm (37.4 in.)

## Maximum Load

Different maximum loads may apply to different products on the assembled lift system: lift, sling bar, sling and any other accessories used. For the assembled lift system, the maximum load is always the lowest maximum load rating for any of the components. For example: FlexoStretch™ accessory, has a max. load of 300 kg (660 lbs). In combination with Quick-release Hook Universal which has a max. load of 300 kg (660 lbs), and a Likoral™ overhead lift which has a max. load of 200 kg (440 lbs), the maximum load of 200 kg (440 lbs) applies to the assembled lift system.

Study the markings on the lift and lifting accessories or contact your Hill-Rom representative if you have any questions.

# Recommended Lifting Accessories

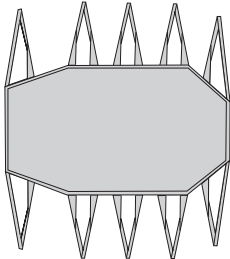
**LiftSheet™ XL**

LiftSheet XL regular (165 cm, 65 inch.)

Prod. No. 3684105

LiftSheet XL tall (185 cm 73 inch.)

Prod. No. 3684106

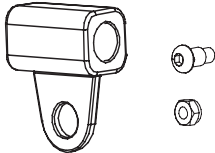


**Fixed kit 4**

Fits FlexoStretch™ accessory in combination with LikoGuard™ L, XL overhead lift.

Prod. no. 3308860

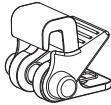
**NOTE! Shall be assembled by personnel authorized by Hill-Rom!**



**Quick-release Hook Universal**

Liko’s Quick-release Hook Universal is part of a system that facilitates quick switching of lifting accessories on Liko’s mobile and stationary lifts. See “Guide to Liko’s Quick-release Hook System”, or contact Hill-Rom for more information about the advantages and use of the Quick-release Hook system. Max. 300 kg (660 lbs).

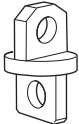
Prod. No. 3156508



**Adapter 12 mm**

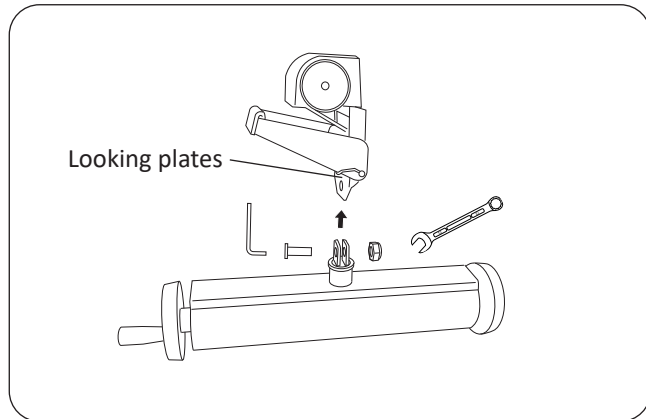
Max. 300 kg (660 lbs).

Prod. No. 2016504

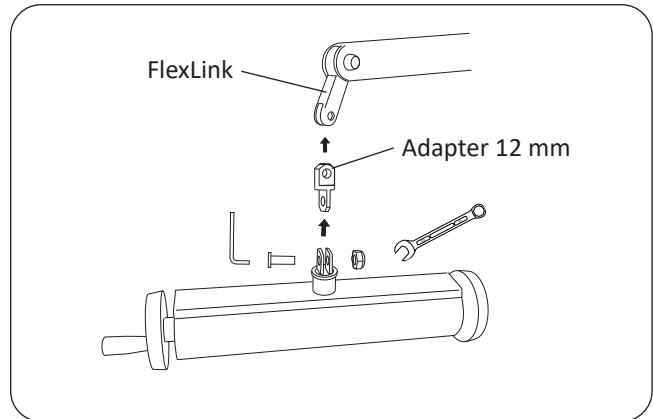


# Assembly

## Fixed assembly

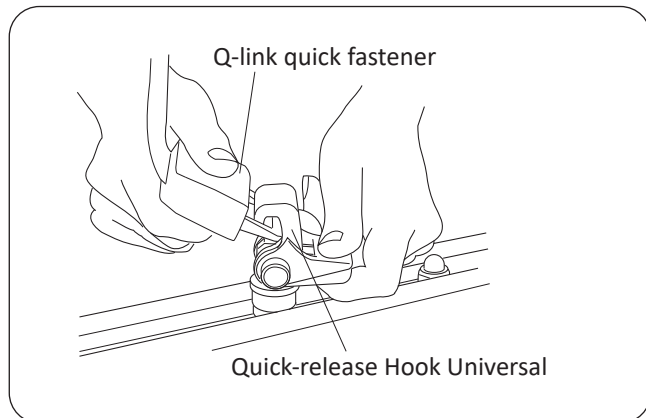


**Likorall™ overhead lift (not R2R) and Golvo™ mobile lift**  
FlexoStretch™ accessory is assembled using M10x25 screws and nuts directly into the lift's looking plates. Recommended tools: 6 mm Allen wrench and 17 mm closed-end wrench.



**Viking™ L mobile lift, Viking™ XL mobile lift**  
FlexoStretch accessory is assembled using M10x25 screws and nuts via the adapter 12 mm accessory (see page. 5). Recommended tools: 6 mm Allen wrench and 17 mm closed-end wrench.

## Assembly with Quick-release Hook



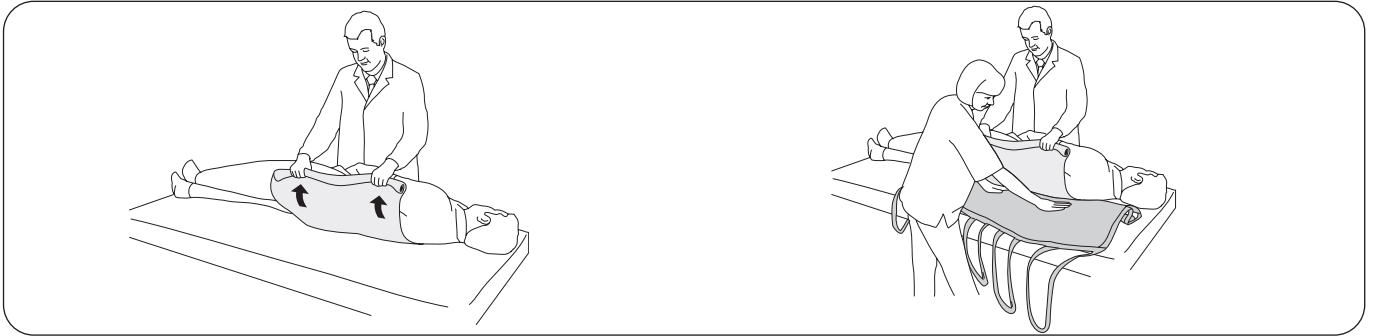
FlexoStretch accessory may be equipped with Quick-release Hook Universal (see page. 5) for simple and comfortable assembly into the lift without tools. The lift must be equipped with Q-link quick fastener in order to fit the Quick-release Hook Universal. Some lifts in Liko's product range (Multirall™ overhead lift, Likorall overhead lift R2R) include this as a standard feature, whereas other lifts intended for use with FlexoStretch accessory may be complemented with Q-link quick fastener as an additional option.

## Positioning of LiftSheet™

When performing a lift with a LiftSheet, it is naturally advantageous if the patient is mobile and is able to lie down on the LiftSheet independently. This is sometimes the case during operations. The operation tables are prepared and fitted with a LiftSheet under the operation sheets so that a totally immobile anesthetized patient can be lifted and moved after the operation. To place a LiftSheet under patients who are totally immobile, there are two alternatives: By turning the patient, or by using slide sheets.

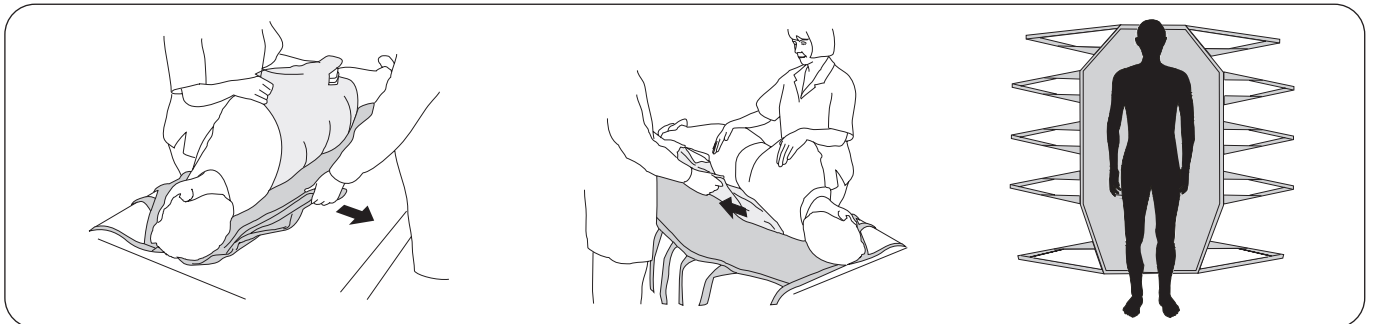
### Alt. 1) Positioning of LiftSheet by turning the patient

When positioning the LiftSheet, cooperation is required between two or more caregivers. Turning a patient on his/her side is heavy work that can be facilitated using aides such as a draw sheet.



Turn the patient to the side, e.g. by pulling the draw sheet toward you. ⚠️ Make sure that the patient has enough room in the bed so that there is no risk that he/she will fall to the floor. The bed gate may have to be opened. Make sure that any castors on the bed, gurney, etc. are locked during the lifting/transferring operation.

Place the LiftSheet so that the product label is up toward the head end and down against the bed. Place the longitudinal side of the LiftSheet as far in under the patient as possible. Fold in more of the LiftSheet so that the patient is lying in the middle of the LiftSheet when the patient is laid on his/her back.



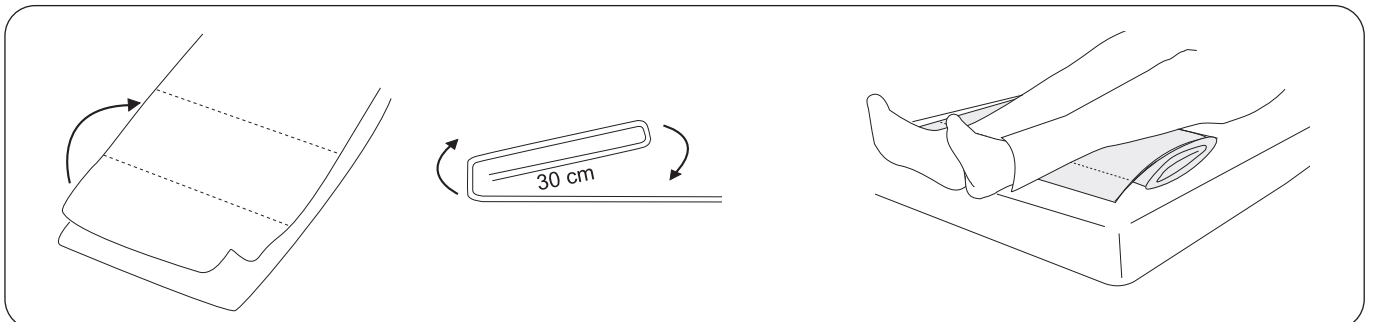
Turn the patient slightly to the other side so that the LiftSheet can be pulled out. Now the draw sheet is to be removed as well. Fold the draw sheet in under the patient before the patient is laid on his/her back.

Turn the patient carefully so that the draw sheet can be pulled away. Lay the patient on his/her back.

Make sure that the patient is on his/her back in the middle of the LiftSheet, and has head support.

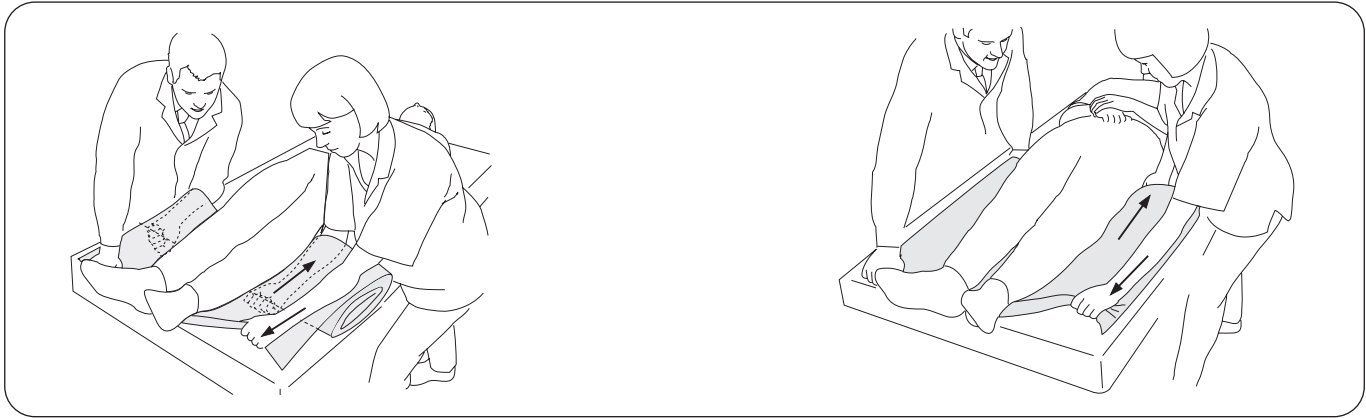
### Alt. 2) Positioning of LiftSheet with the help of slide sheets:

If the LiftSheet is to be placed under a patient who cannot be turned on his/her side, two slide sheets can be used. The patient lies on his/her back, and two parallel slide sheets are drawn into position under the patient; next the LiftSheet is pulled into position between the slide sheets. When positioning the LiftSheet using slide sheets, two or more caregivers will need to work together.



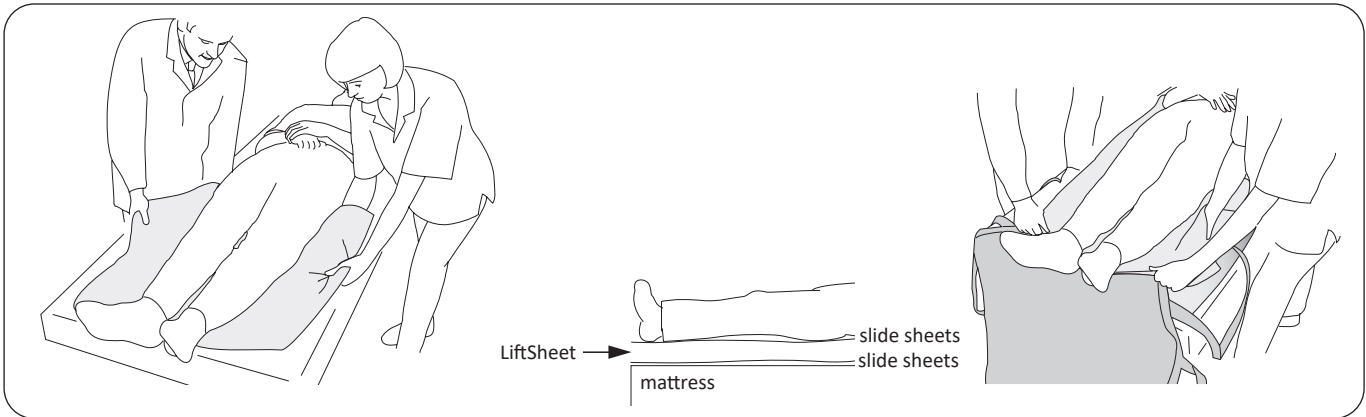
Place two slide sheets on one another. Fold them up approx. 30 cm from the lower edge. Repeat the procedure until the entire length has been folded up.

Place the folded slide sheets under the patient's feet and calves with the fold facing down towards the mattress.



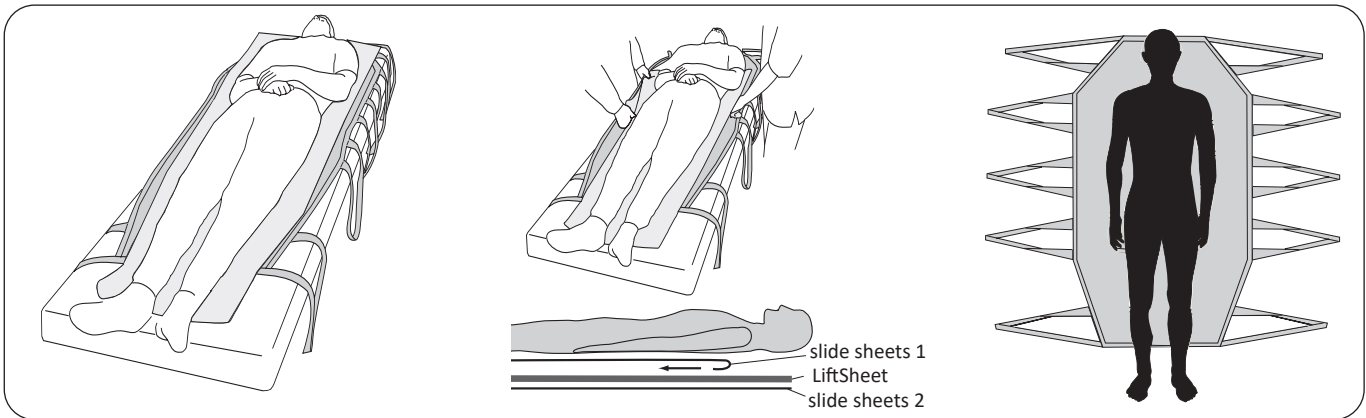
Using the arm closest to the patient, the caregivers seize hold of the fold in the fabric under the slide sheets. The second hand holds on to the slide sheets lower edge.

The Caregivers simultaneously pull the first fold out and up under the patient. The arms nearest the patient pull the fold up, while the arms facing away from the patient apply resistance downwards.



Now seize the next fold and repeat the procedure until the slide sheets is under the entire patient.

The LiftSheet's product label is placed at the head end and is turned down towards the bed. The LiftSheet is pulled into position between the slide sheets from the foot or head end.



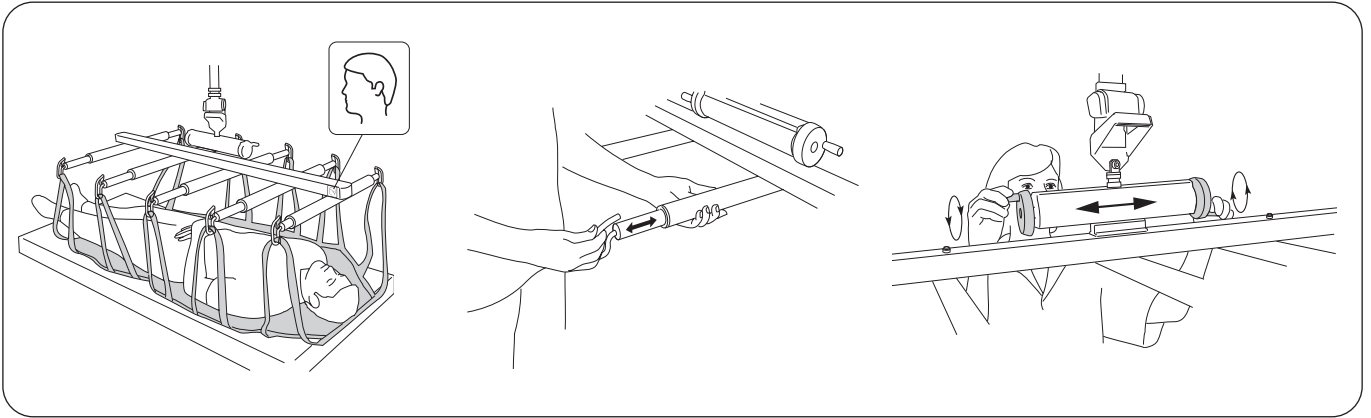
The LiftSheet™ is pulled into place under the patient. The upper edge is sufficiently high up to reach under the head.


Now remove the slide sheets closest to the patient (slide sheets 1). This is easiest to do starting at the head end and by pulling it "under itself."

Make sure that the patient is on his/her back in the middle of the LiftSheet, and has head support.



## Lifting using LiftSheet™



Remember that FlexoStretch™ accessory has a head end and a foot end. See the symbol for the head end . Guide FlexoStretch accessory over the patient and lower it until it is about 50 cm above the bed. Connect the straps to the stretcher. Adjust the stretcher's width (70 cm to 95 cm) by pulling the lift arms out to a suitable position.

**⚠ Make sure that all straps are properly connected to the stretcher, when the straps have been fully extended but before the patient is lifted from the underlying surface.**

While lifting, make sure that the patient is suspended in the desired position, i.e. horizontally, or, as is often the case, with the head somewhat elevated. If needed, the position can be adjusted by turning the dial on the Stretch Leveller.

# Care and Maintenance

For trouble-free use, certain details should be checked before each use:

- inspect the stretcher and lifting accessories to make sure that there is no external damage
- check that the safety latches are functioning.

When necessary, clean the stretcher with a moist cloth, using warm water or disinfectants.


**NOTE! Do not use cleaning agents that contain phenol or chlorine, since these can damage aluminum and polyamide material.**

 **The stretcher should not be exposed to running water.**

## Service

A periodic inspection of the stretcher should be carried out at least once per year.

 Periodic inspection should be performed by personnel authorized by Hill-Rom.

 Service activities are not allowed with the patient in the stretcher.

## Service Agreement

Hill-Rom offers the opportunity to enter into service contracts for the maintenance and regular inspection of your Liko product.

## Expected Life Time

The product has an expected life time of 10 years when correctly handled, serviced and periodically inspected in accordance with Liko's instructions.

## Recycling Instructions

The stretcher should be recycled as scrap metal.

Hill-Rom evaluates and provides guidance to its users on the safe handling and disposal of its devices to aid in the prevention of injury, including, but not limited to: cuts, punctures of the skin, abrasions, and any required cleaning and disinfection of the medical device after use and prior to its disposal. Customers should adhere to all federal, state, regional, and/or local laws and regulations as it pertains to the safe disposal of medical devices and accessories.

If in doubt, the user of the device shall first contact Hill-Rom Technical Support for guidance on safe disposal protocols.

## Product Changes

Liko's products undergo continuous development, which is why we reserve the right to make product changes without prior notice. Contact your Hill-Rom representative for advice and information about product upgrades.

## Design and Quality by Liko in Sweden


The management system for both manufacturing and development of the product is certified in accordance with ISO9001 and its equivalent for the medical device industry, ISO13485. The management system is also certified in accordance with the environmental standard ISO14001.

## Notice to Users and/or Patients in EU

Any serious incident that has occurred in relation to the device, should be reported to the manufacturer and the competent authority of the Member State in which the user and/or patient is established.



[www.hillrom.com](http://www.hillrom.com)

 Liko AB  
Nedre vägen 100  
975 92 Luleå, Sweden  
+46 (0)920 474700

Liko AB is a subsidiary of Hill-Rom Holdings Inc.

Enhancing outcomes for  
patients and their caregivers:

**Hill-Rom**