



Handrail installation instructions for in-floor scale models 6102 and 6154

726082

DIR 80021887 Ver. A
Revision Date: 2016-12
©2016, Welch Allyn, Inc.
www.welchallyn.com

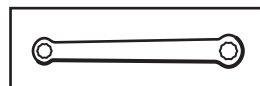


(91)726082



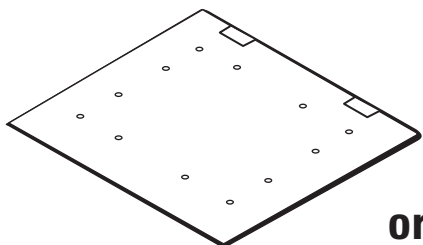
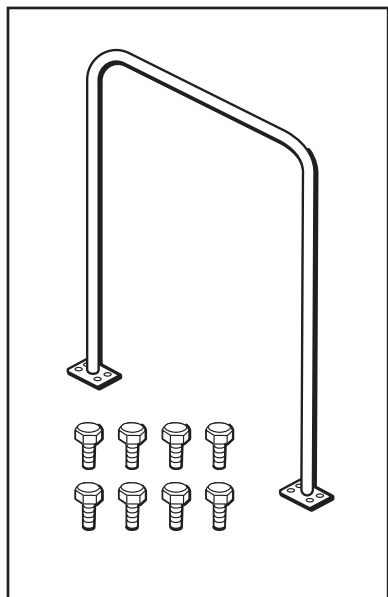
Welch Allyn, Inc.
4341 State Street Road
Skaneateles Falls, NY 13153 USA

Welch Allyn Technical Support
www.welchallyn.com/support

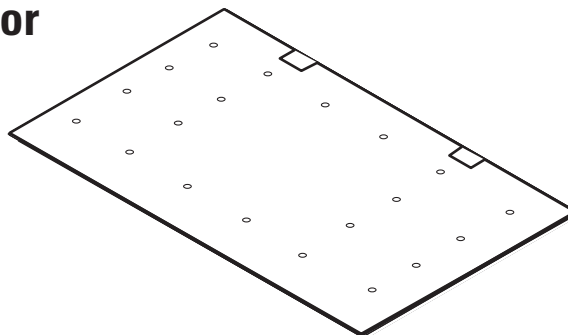


Tighten bolts securely with
a box end or socket wrench.

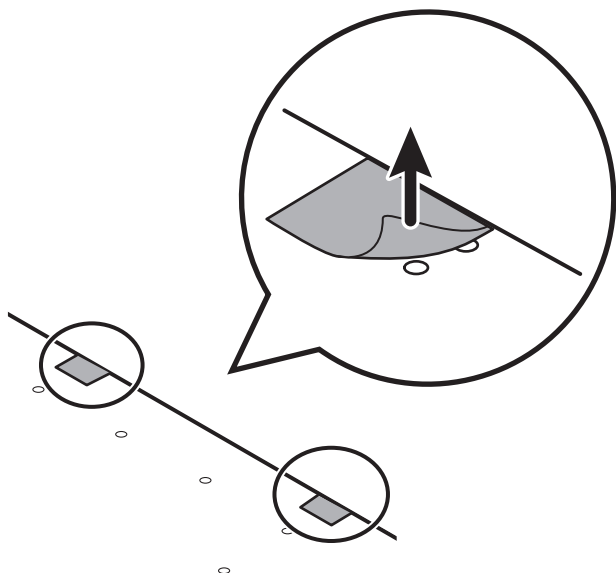
Serrez fermement les boulons
à l'aide d'une clé polygonale
ou d'une clé de serrage.



or



1



2

