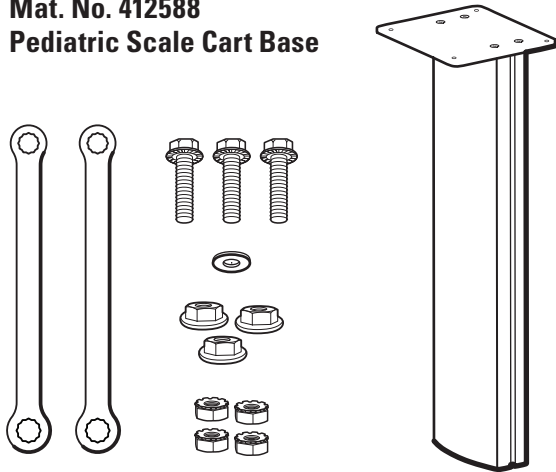


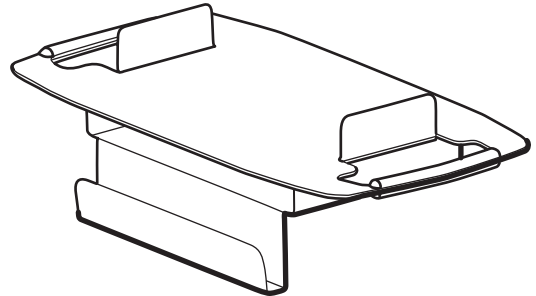
## 4802D Pediatric Scale Cart Assembly Instructions

# 412490

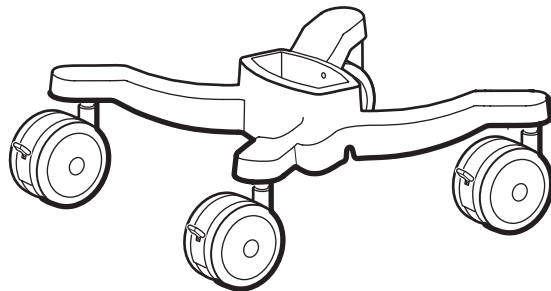
Mat. No. 412588  
Pediatric Scale Cart Base



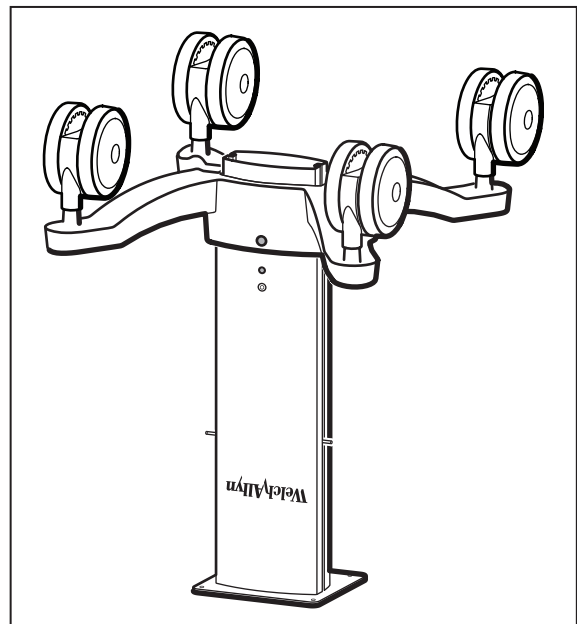
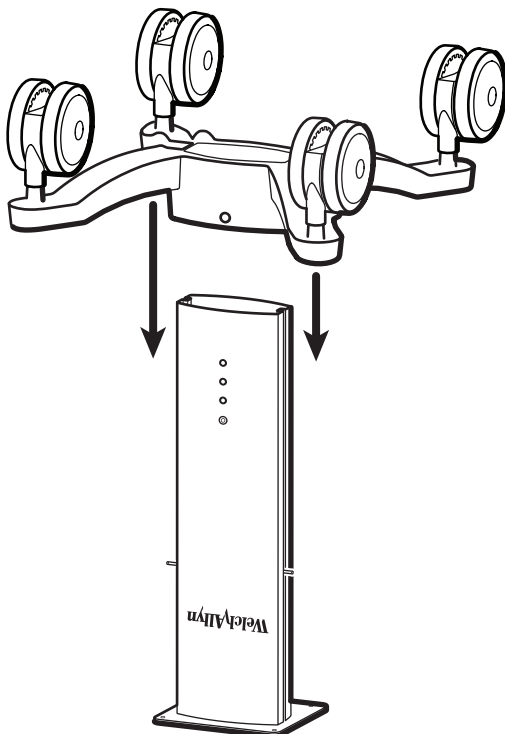
Mat. No. 412589  
Pediatric Scale Cart Top

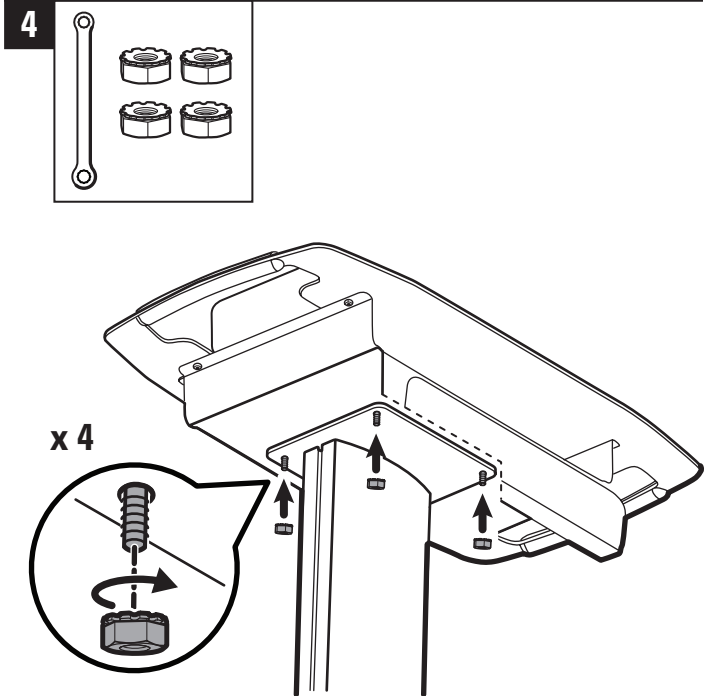
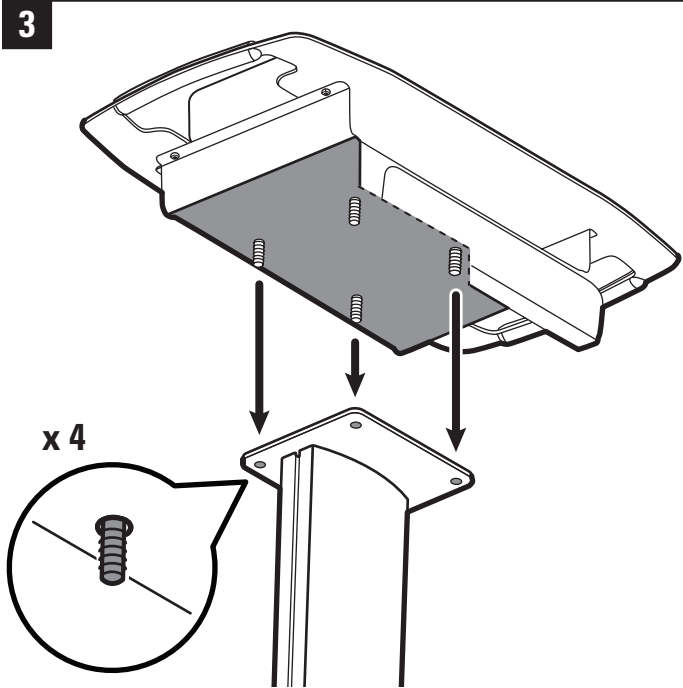
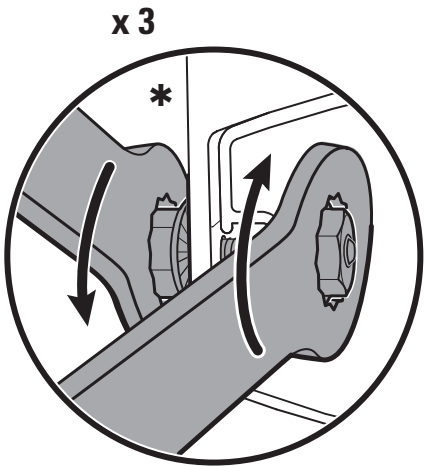
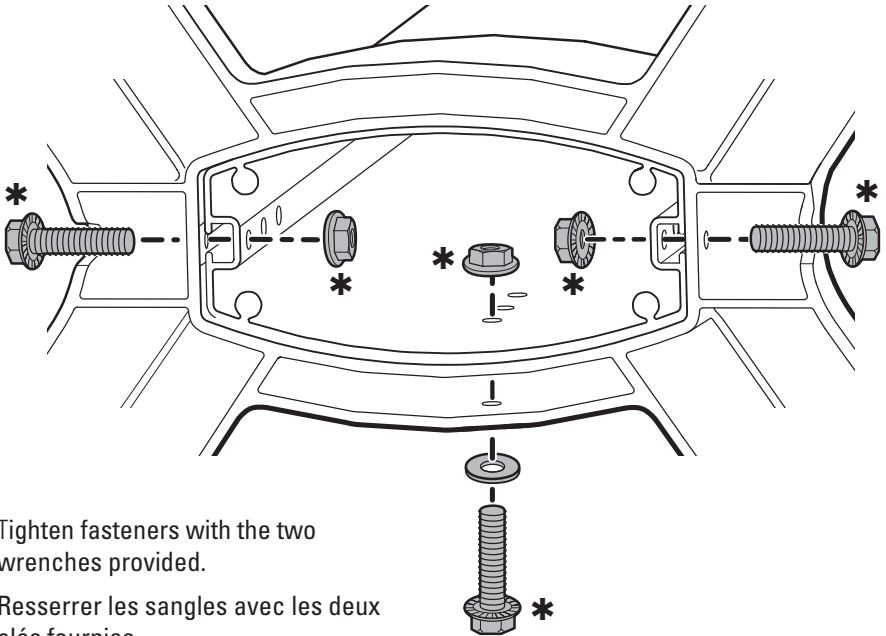
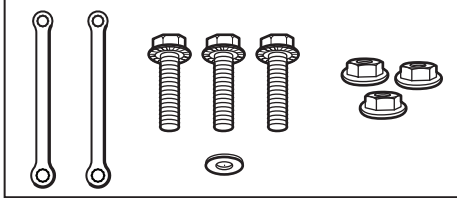
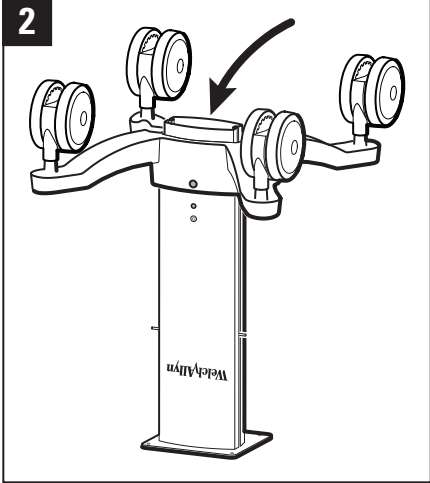


(91)726992



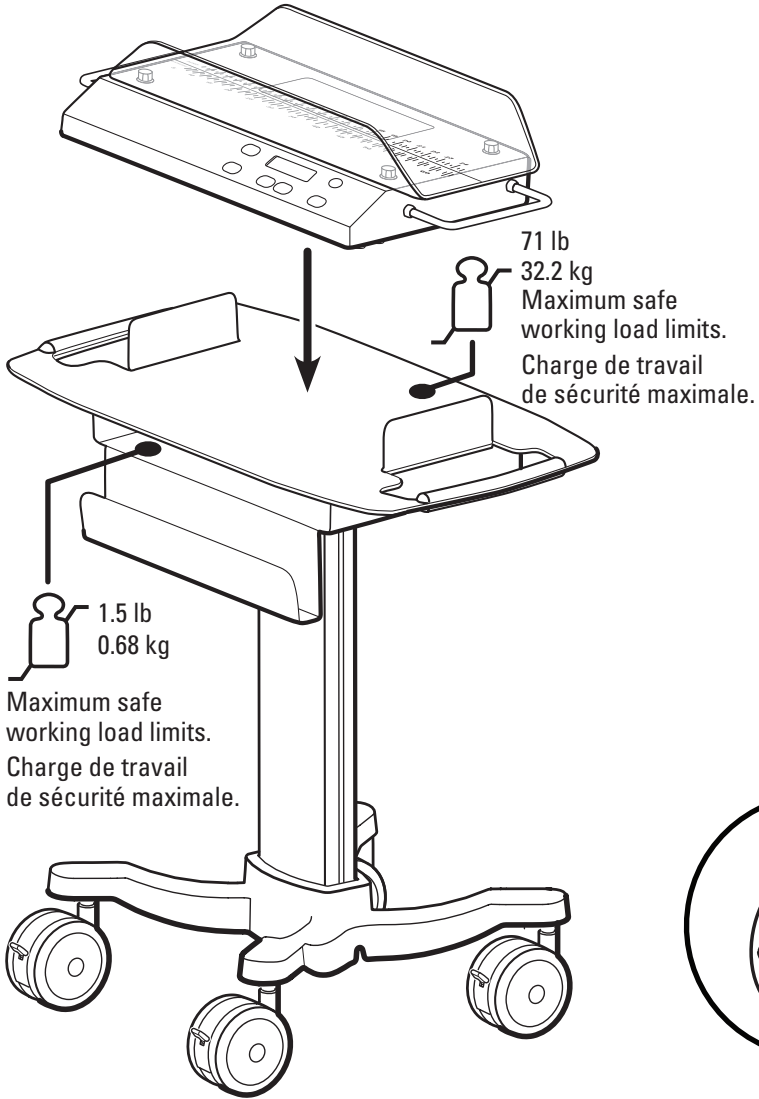
1





5

# 4802D Pediatric/Infant Scale



6

