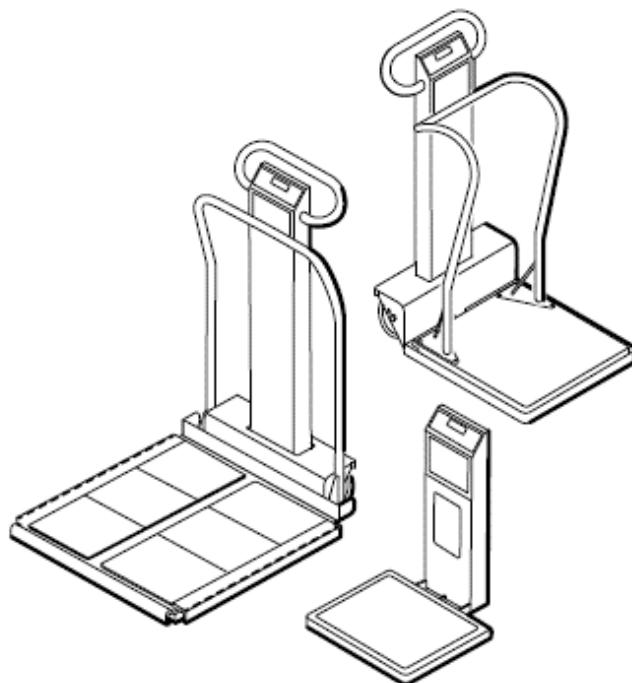


Welch Allyn Masted Scales with USB Connection



Service Manual

Model 5002	Mobile Stand-On Scale
Model 5122	Stand-On Scale
Model 5702	Mobile Bariatric Scale
Model 6002	Wheelchair Scales
Model 6702/SP/W	Mobile Bariatric Scale

© 2019 Welch Allyn. All rights are reserved. To support the intended use of the product described in this publication, the purchaser of the product is permitted to copy this publication, for internal distribution only, from the media provided by Welch Allyn. No other use, reproduction, or distribution of this publication, or any part of it, is permitted without written permission from Welch Allyn. Welch Allyn assumes no responsibility for any injury to anyone, or for any illegal or improper use of the product, that may result from failure to use this product in accordance with the instructions, cautions, warnings, or statement of intended use published in this manual.

Software in this product is Copyright 2019 Welch Allyn or its vendors. All rights are reserved. The software is protected by United States of America copyright laws and international treaty provisions applicable worldwide. Under such laws, the licensee is entitled to use the copy of the software incorporated with this instrument as intended in the operation of the product in which it is embedded. The software may not be copied, decompiled, reverse-engineered, disassembled, or otherwise reduced to human-perceivable form. This is not a sale of the software or any copy of the software; all right, title, and ownership of the software remain with Welch Allyn or its vendors.

For information about any Welch Allyn product, contact your local Welch Allyn representative:

<http://www.welchallyn.com/en/other/contact-us.html>

DIR 80022692 Ver. B
Revision date: 2019-10



Welch Allyn, Inc.
4341 State Street Road
Skaneateles Falls, NY 13153 USA
www.welchallyn.com

Customer Support

Placing orders, checking on pricing, billing, or repairs

scale-tronix@welchallyn.com

1.800.535.6663, Option 2, 1, 5
9am - 5pm EST
Mon - Fri

CONTENTS

- Introduction 5
 - Intended use 5
 - Indications for use..... 5
 - Intended clinical care environments..... 5
 - Symbols 5
- Safety 8
 - General warnings and cautions 8
 - Electrostatic discharge (ESD) 10
- Overview 10
 - Purpose and scope..... 10
 - Technical support services..... 11
 - Warranty Service..... 11
 - Non-warranty service..... 12
 - Returning products 12
- Recommended service intervals..... 13
 - Battery replacement 14
 - Change the printer paper..... 14
- Firmware Upgrade 14
 - Firmware Upgrade Process 15
 - Firmware Verification 17
- Scale setup 18
 - Setup Mode..... 18
 - Service Mode 20
 - Factory Mode 21
 - Calibration of Scale 24
 - USB Details..... 25
- Disassembly and repair 26
 - Required tools:..... 27
 - Connector types..... 28

Mast Disassembly overview.....	29
Base Disassembly overview	51
5122 Disassembly.....	85
Troubleshooting.....	105
Scale Troubleshooting.....	105
Symptoms and solutions.....	107
Appendix	110
Shipping Packing Materials	110
Full Assembly Exploded Views	112
Fastener Reference (NOT TO SCALE)	133

Introduction

Intended use

The Welch Allyn Masted Scales are intended to be used by clinicians for weighing patients up to 660 pounds (300 kg) for model 5122, up to 880 pounds (400 kg) for models 5002 and 6002, and up to 1000 pounds (454 kg) for models 5702, 6702, 6702SP, and 6702W.

Indications for use

The Welch Allyn Masted Scales are used by clinicians to weigh patients. An optional height gauge is available on some models.

Masted scales can make contact with a patient's hands and feet. Contact duration is intended to be limited to less than 30 seconds.

Intended clinical care environments

The Welch Allyn Masted Scales are intended to be used in the following clinical care environments:

- Hospitals
- Ambulatory care centers
- Physicians' offices
- Other professional medical facilities

Symbols



WARNING The warning statements in this manual identify conditions or practices that could lead to illness, injury, or death.













Caution The caution statements in this manual identify conditions or practices that could result in damage to the equipment or other property, or loss of data.

Note Warning symbols will appear with a grey background in a black and white document.






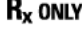







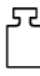




Mandatory - Consult Directions for Use

Shipping, storing, and environment symbols

	Temperature limitation		Keep dry
	Separate collection of Electrical and Electronic Equipment. Do not dispose as unsorted municipal waste.		Fragile
	Humidity limitation		Atmospheric pressure limitation
	This way up		Stacking limit by number
	Recyclable		Atmospheric pressure limitation

Miscellaneous symbols

	Manufacturer		Reorder Number
	Product Identifier		For indoor use only
	Serial Number		Prescription only or "For Use by or on the order of a licensed medical professional"
	Battery		Direct current (DC)
	USB		On/Off Pushbutton
	Class II equipment		Type B applied part Note The entire scale is considered an applied part.
	Rated power input, DC		Mass
	With respect to electrical shock, fire, and mechanical hazards only In accordance with: ANSI/AAMI ES60601-1:2005/(R)2012 and A1:2012, C1:2009/(R)2012 AND A2:2010/(R)2012, CAN/CSA C22.2 No. 60601-1:14 IEC 60601-1 Ed. 3.1		Global Trade Item Number

Safety

About warnings and cautions

Caution statements can appear on the Welch Allyn Masted Scales, the packaging, the shipping container, or in this service manual.

The Welch Allyn Masted Scales are safe for patients and clinicians when used in accordance with the instructions and caution statements presented in this service manual.

Before using the device, you must familiarize yourself with all cautions, with the steps to power up the device, and with the sections of this service manual that pertain to your use of the device. In addition to reviewing the general cautions presented in the next section, you must also review the more specific cautions that appear throughout the manual in conjunction with setup/startup, operation, and maintenance tasks. No additional training is required.

- o Failure to understand and observe any warning statement in this manual could lead to patient injury or illness.
- o Failure to understand and observe any caution statement in this manual could lead to damage to the equipment or other property, or loss of patient data.

General warnings and cautions



WARNING Use of this equipment adjacent to or stacked with other equipment should be avoided because it could result in improper operation. If such use is necessary, this equipment and the other equipment should be observed to verify that they are operating normally.



WARNING Use of accessories, transducers and cables other than those specified or provided by the manufacturer of this equipment could result in increased electromagnetic emissions or decreased electromagnetic immunity of this equipment and result in improper operation.



WARNING Portable RF communications equipment (including peripherals such as antenna cables and external antennas) should be used no closer than 30 cm (12 inches) to any part of the device or any related systems, including cables specified by the manufacturer. Otherwise, degradation of the performance of this equipment could result.



WARNING Patient or operator injury risk. Maintain control of the patient at all times, including when the patient is stepping on and off the scale. Failure to do so could result in a fall risk or other serious injury to you or the patient.



WARNING Patient or operator injury risk. Make sure the scale is positioned on a stable surface and in a way to avoid shock or bumping hazards.



WARNING Patient injury risk. Make sure the scale is set in the proper measurement units for your facility. Make sure you record the measurement units as they are displayed.



WARNING Electric shock hazard. Use only a Welch-Allyn approved power supply. The use of an unapproved power supply could increase chassis or patient leakage currents.



WARNING Electric shock hazard. Use only a Welch-Allyn approved power supply. The use of an unapproved power supply could cause electric harm and shock to you or the patient.



WARNING Electric shock hazard. All signal input and output (I/O) connectors are intended for connection of only devices complying with IEC 60601-1, or other IEC standards (for example, IEC 60950), as applicable to the scale. Connecting additional devices to the scale could increase chassis or patient leakage currents. To maintain operator and patient safety, consider the requirements of IEC 60601-1-1. Measure the leakage currents to confirm that no electric shock hazard exists.



WARNING Electric shock hazard. Make sure that the USB (SIP/SOP) port and the patient are never touched or come in contact at the same time.



WARNING Patient or operator injury risk. No modification of this equipment is allowed.



CAUTION Make sure that you routinely perform general maintenance and equipment safety checks on your scale. Remove the scale from service when you notice damaged power cable.



CAUTION Do not use this scale to transport patients or items.



CAUTION The scale may power down due to electrostatic discharge. There is no risk associated with this action. Turn the scale on and it will function normally.

Electrostatic discharge (ESD)



CAUTION Electrostatic discharge (ESD) can damage or destroy electronic components. Handle static-sensitive components only at static-safe workstation.



CAUTION Assume that all electrical and electronic components of the monitor are static-sensitive.

Electrostatic discharge is a sudden current flowing from a charged object to another object or to ground. Electrostatic charges can accumulate on common items such as foam drinking cups, cellophane tape, synthetic clothing, untreated foam packaging material, and untreated plastic bags and work folders, to name only a few.

Electronic components and assemblies, if not properly protected against ESD, can be permanently damaged or destroyed when near or in contact with electrostatically charged objects. When you handle components or assemblies that are not in protective bags and you are not sure whether they are static-sensitive, assume that they are static sensitive and handle them accordingly.

- o Perform all service procedures in a static-protected environment. Always use techniques and equipment designed to protect personnel and equipment from electrostatic discharge.
- o Remove static-sensitive components and assemblies from their static-shielding bags only at static-safe workstations—a properly grounded table and grounded floor mat—and only when you are wearing a grounded wrist strap (with a resistor of at least 1 megaohm in series) or other grounding device.
- o Use only grounded tools when inserting, adjusting, or removing static-sensitive components and assemblies.
- o Remove or insert static-sensitive components and assemblies only with scale power turned off.
- o Insert and seal static-sensitive components and assemblies into their original static shielding bags before removing them from static-protected areas.
- o Always test your ground strap, bench mat, conductive work surface, and ground cord before removing components and assemblies from their protective bags and before beginning any disassembly or assembly procedures.

Overview

Purpose and scope

This service manual is a reference for periodic preventive maintenance and corrective service procedures for the Welch Allyn Masted Scales. It is intended for use only by trained and qualified service personnel.

Corrective service is supported to the level of field-replaceable units. These include circuit-board assemblies and some subassemblies, and other parts.



WARNING When performing a service procedure, follow the instructions exactly as presented in this manual. Failure to do so could damage the Scale, invalidate the product warranty, and lead to serious personal injury.



CAUTION No component-level repair of circuit boards and subassemblies is supported. Use only the repair procedures described in this manual.

Find instructions for functional testing and performance verification in the Calibration section below in this manual.

This manual applies only to this device. For servicing of any other product, see the service manual for the specific device.

Service work not described in this manual must be performed by qualified service personnel at the factory or at an authorized Welch Allyn service center.

Technical support services

If you have a problem with the device that you cannot resolve, call the Welch Allyn Technical Support Center nearest you for assistance. A representative will assist you in troubleshooting the problem and will make every effort to solve the problem over the phone, potentially avoiding an unnecessary return. Technical support is available 9am-5pm EST.

Welch Allyn offers the following technical support services:

- o Telephone support
- o Replacement service parts
- o Product service

For information on any of these services, go to this site: <http://www.welchallyn.com/en/service-support.html>

Warranty Service

Welch Allyn will warranty the weight scale to be free of defects in material and workmanship and to perform in accordance with manufacturer specifications for the period of one year from the date of retail purchase.

The warranty period shall start on the date of purchase. The date of purchase is:

- The invoiced ship date if the device was purchased directly from Welch Allyn
- The date specified during product registration
- The date of purchase of the product from a Welch Allyn authorized distributor as documented from a receipt from said distributor.

This warranty does NOT cover damages caused by misuse or abuse, including but not limited to:

- o Failure caused by unauthorized repairs or modifications
- o Damage caused by shock or dropping during transportation
- o Damage caused by improper use of the power supply
- o Failure caused by improper operation not consistent with the instructions stated in this service manual.

Should this device require maintenance (or replacement at our option) under warranty, contact your local Welch Allyn representative: <http://www.welchallyn.com/en/other/contact-us.html>

Non-warranty service

Welch Allyn Product Service Centers and Authorized Service Providers support non-warranty repairs. Contact any Welch Allyn regional service center for pricing and service options.

Welch Allyn offers modular repair parts for sale to support non-warranty service. This service must be performed only by qualified end-user biomedical/clinical engineers using this service manual.

Returning products

When returning a product to Welch Allyn for service, ensure that you have the following information:

- o Product name, model number, and serial number. This information may be found on the product and serial number labels.
- o A complete return shipping address.
- o A contact name and phone number.
- o Any special shipping instructions.
- o A purchase-order number or credit-card number if the product is not covered by a warranty.
- o A full description of the problem or service request.

1. Contact Welch Allyn and request an RMA number.

Note: Welch Allyn does not accept returned products without an RMA.

2. Ship the device to Welch Allyn, observing these packing guidelines:
 - o Packaging - If you are returning a scale to a Welch Allyn Repair facility please ensure you use proper packing materials. Contact Welch Allyn for details and part numbers for materials if needed.
 - o Remove from the device the battery, power cords, and other ancillary products and equipment, except those items that might be associated with the problem.
 - o Dispose of damaged or leaking batteries in an environmentally safe manner consistent with local regulations.
3. Clean the device.

Note: To ensure safe receipt of your device by the service center and to expedite processing and return of the device to you, thoroughly clean all residue from the device before you ship it to Welch Allyn. For cleaning requirements, see the Cleaning instruction in the Directions for Use.

Welch Allyn thoroughly cleans all returned devices on receipt, but any device that cannot be adequately cleaned cannot be repaired.

4. Write the Welch Allyn RMA number with the Welch Allyn address on the outside of the shipping carton.

Recommended service intervals

To confirm that the device is functioning within the design specifications, perform periodic service as indicated below. Customers can perform the basic functional verification and calibration procedures referenced below by following the instructions in this manual.

Routinely perform the following preventive maintenance to keep your scale in working order.

1. Check the calibration annually or as required.
2. Inspect the cradle for cracks or loose or missing hardware. Replace or repair if necessary
3. Inspect the scale's enclosure for damage or loose or missing hardware. Replace or repair if necessary.
4. Inspect the power adapter cable for abrasions or other sign of wear.
5. Do not expose the scale to excessive water or moisture.
6. Do not store the scale where heavy objects can be placed on it.
7. Replace the batteries annually or as required.
8. Do not service or perform any maintenance while the scale is in use with a patient.
9. When storing the scale, remove the batteries from the battery area. Batteries can corrode over a period of time. Make sure to check the batteries before putting the scale back into use.

Battery replacement



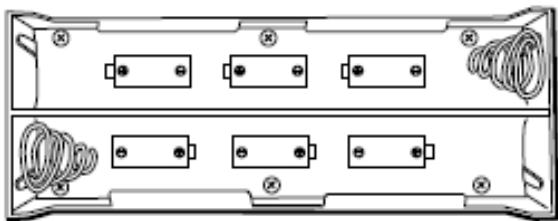
WARNING Electronic shock hazard. Do not replace the battery under the following conditions:

- in the vicinity of the patient
- with wet hands
- in the presence of flammable anesthetics



CAUTION Use only size D disposable alkaline batteries. The use of any other battery will void the warranty.

1. Make sure the scale is powered down.
2. Using a Phillips screwdriver, remove the two fasteners on the access door and remove the door.
3. Remove the old batteries and install six new size D batteries in the battery holder. Make sure to follow the polarity instructions.



4. Re-attach the access door by installing the two screws.

Change the printer paper

The printer is a purchasable option. Perform the following procedure if your scale is equipped with a printer.

1. Use the finger hold to lift the clear window on the front of the printer to open the printer door.
2. Remove the old printer paper spindle.
3. Replace the printer paper. Make sure the new printer paper is advancing from the top of the roll.
4. Pull a small piece of the printer paper through the top of the printer door, and close the printer door.

Firmware Upgrade

While rarely performed, Welch Allyn may release a new version of firmware to support your device. Updating your device firmware ensures you have access to the latest features, fixes, and security updates.

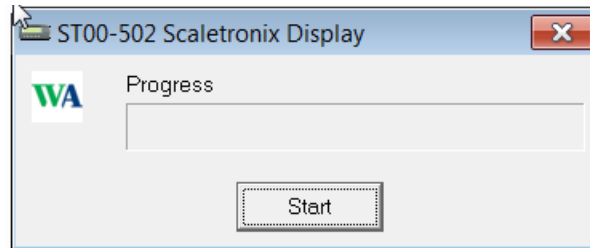
NOTE: THIS FIRMWARE UPDATE PROCEDURE REQUIRES A LAPTOP/PC WITH WINDOWS 10 AND A USB TYPE A TO B CABLE.

Firmware Upgrade Process

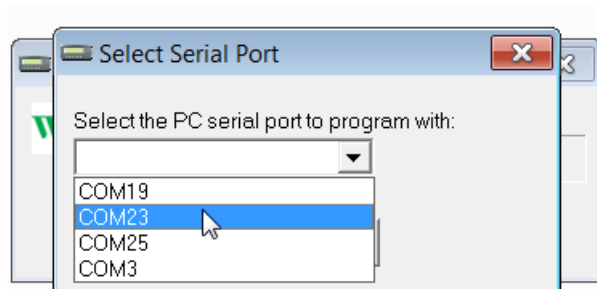
1. Obtain the required firmware file (exe file) from Welch Allyn.
2. Record the serial number of the Scale.
3. With the Scale powered OFF, connect the scale to the laptop/PC with a USB Type A to B cable. Check that the Scale is being detected by the laptop/PC in Device Manager as **“USB Serial Device”** (Refer to below image). (Note: If this is the first time the Scale is plugged into the laptop/PC, the driver will be automatically installed.). The port number may or may not be COM9.



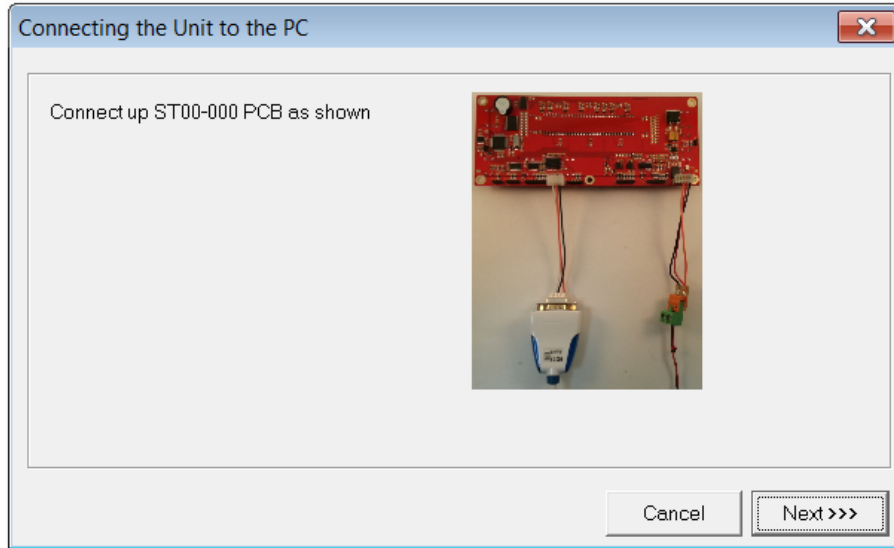
4. Double click on the exe file. A dialog box will appear (Refer to below image)



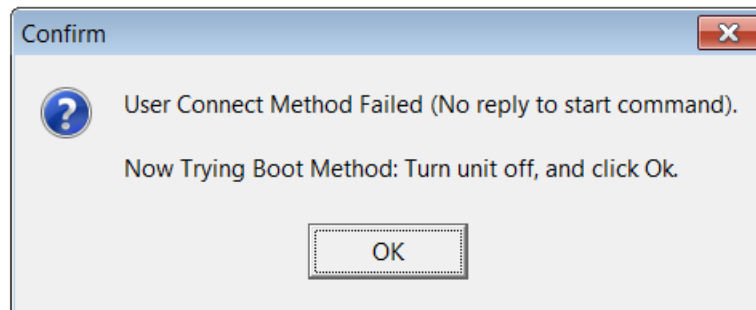
5. Click on the “Start” button shown in dialog box. Select the COM PORT to which the Scale is connected. (Refer to image below as an example).



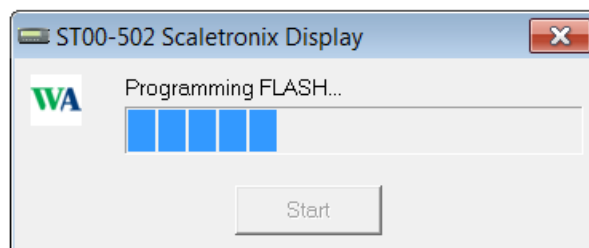
6. Click “Ok”. The following dialog box will appear.



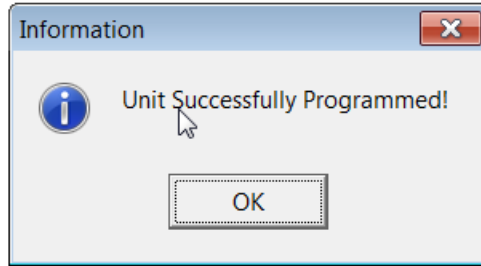
7. Click "Next". The following dialog box will appear.



8. Go to BOOT MODE by pressing "ZERO", "LB/KG", and "POWER" button simultaneously. Once the Scale powers up and displays "88.88.88", click "OK" within 2 seconds. (**IMPORTANT. If the 2 seconds lapsed, the scale needs to be powered off and the above steps need to be repeated.**)
9. Firmware update will begin when the above step is successfully executed, and the below dialog box will appear. Wait for it to complete.



10. Click "OK" when firmware update is completed (see below dialog box).



11. Power off the scale and unplug the USB cable.
12. Power on the scale and "**Err db**" is displayed. This means the database needs resetting. To reset the database, follow the below steps.
 - a.) Press Zero 5 times
 - b.) "db rSt" will be displayed.
 - c.) Press "LB/KG" button once and "No" will be displayed
 - d.) Press "RE WEIGH" button to change to "Yes".
 - e.) Press "LB/KG" button and the scale will automatically turn off.

Firmware Verification

Verification of firmware will be completed going into SETUP MODE and checking the firmware version.

1. With the scale powered OFF, press "**ZERO**", "**RE WEIGH**", and "**POWER**" button simultaneously. The display will show "0000".



2. Enter PIN number "**9821**" into the Scale. (Press '**RE WEIGH**' button to increment the value, '**RECALL**' button to decrement the value, '**LB/KG**' button to shift to the next digit or to confirm the PIN).
3. Once the scale is in SETUP MODE, the display will show "**Set-UP**".



4. Press the “**LB/KG**” button until “**SOFT**” is displayed. Press “**LB/KG**” one more time; the firmware version will be shown (U X.X.X). (See below reference.)



5. Record the firmware version in section 4, Device Record.

Scale setup

You can customize the scale to best suit your needs using the **Custom Modes**.

The custom modes on the scale are Setup, Service, Factory, Calibration.

1. Press ‘Zero’, ‘Reweigh’ and ‘Power’ together to enter Custom mode.
2. Key in the correct PIN to access the mode.

Some menu items include editors. These can be interacted with using the following keys: (e.g. Show ‘0000’ as initial 4 digits PIN):

REWEIGH: Increment the selected character. If the current selected character is “9”, it shall wrap to “0” when the “Reweigh” button is pressed.

RECALL: Decrement the selected character. If the current selected character is “0”, it shall wrap to “9” when the “Recall” button is pressed.

LB/KG: Move to the next character/enter.

Keying through the menu with the **LB/KG** key will show the option, then the current setting for that option. To change a setting select the current setting for the desired option and use the **REWEIGH** key to increment or move to the next setting option, or the **RECALL** key to decrement or move to the previous setting option. Set the selected option and move to the next setting with the **LB/KG** key.

Setup Mode

Device will enter setup mode by entering PIN **9821**.

The scale will cycle through these parameters by pressing **LB/KG** key. Some of these options may be turned off or on through the Factory Mode.

SOFT displays the software version.

dAtE displays the software release date in US date format (MM.DD.YY).

SCALE displays the scale model.

- SOFt This option displays the software version of your scale.
- dAtE This option displays the release date of the software. The format is MM.DD.YY.
- SCALE This option displays the model number of the scale.
- AutOFF* This displays the number of seconds before the scale turns off when operating on battery power. The **Cont** value prevents the scale from turning off automatically.
- ACCONt* This option causes the scale to remain on when plugged in to AC power.
- rES Pressing **REWEIGH** or **RECALL** switches between the following options:
 0.1 lb / 0.05 kg
 0.1 lb / 0.1 kg
 0.02 lb / 0.1 kg
 0.05 lb / 0.2 kg
 1.0 lb / 0.5 kg
- UnitS* This option allows you to change the displayed weight unit.
- Note** Do not change the scale units if you have purchased the kilogram-only option.
- KILOS* This option allows the weight to display in kilograms.
- POUNDS and OUNCES* This option allows the weight to display in pounds and ounces.
- POUNDS* This option allows the weight to display in pounds.
- OUNCES* This option allows the weight to display in ounces.

UI Display Light ON	
KILOGRAMS	This option displays the weight in kilograms (0.0). Default is On
KILOGRAMS and POUNDS	This option displays the weight in pounds and kilograms. Default is On
POUNDS	This option displays the weight in pounds (0.0). Default is OFF

bEEPEr*	This option determines the audible signal that occurs when a front panel button is pressed.
rEcALL	This option allows you to turn on the scale in Recall mode. If this option is set to OFF, the RECALL button does not operate.
USb*	This option allows you to send weight values to a computer.
prNtEr*	This option allows you to turn the printer on or off. Note The printer is a purchasable option.
Prtunt*	This option determines whether pounds or kilograms are displayed on a printout. Press REWEIGH or RECALL to switch between the following options: If the pounds and kilograms indicators are illuminated on the control panel, the printed output is determined by whichever unit is selected on the control panel. If the kilogram indicator is illuminated, it will only print in kilograms, regardless of the unit selected on the control panel. If the pounds indicator is illuminated, it will only print in pounds, regardless of the unit selected on the control panel.
PrtOPt*	Press REWEIGH or RECALL to switch between the following options: PnlPrt : The current weight is printed when PRINT is pressed on the control panel. AutPrt : The current weight is automatically printed when a weight reading occurs.
SEt-UP	This option is displayed when you have cycled through all the options. Press and hold the power button to power down the scale.

Power off the scale to exit Set-up Mode

Service Mode

Device will enter service mode by entering PIN **4351**.

The scale will cycle through these parameters by pressing **LB/KG** key.

mVv (Mvv) displays the current mV/V reading on the scale.

A-d displays the current weight. 'Zero' may be pressed to perform a user zero.

tESt displays an LED test sequence.

Displays an LED test sequence for numbers from 0, 1, 2, ---, 9 for one cycle with long beep and all annunciators On

Displays an LED test sequence for numbers from 0., 1., 2., ----., 9. for one cycle with long beep and all annunciators OFF

Sequences continue one after other until user presses **LB/KG** to move to the next menu item.

PR-OnS displays the number of power ons.

PC-rC displays the number of power ons using the recall key.

COUntS displays the number of times a weight has been acquired.

rEcntS displays the number of times the reweigh key has been pressed.

rECLLS displays the number of times the scale has recalled the prior weight.

bñiS (BMIs) displays the number of times of the Height/BMI key has been pressed.

OFFS displays the number of times the scale has manually been powered off.

PrintS displays the number of dockets that have been printed from the scale.

SEndS displays the number of times the **SendData** key has been pressed.

SEtUPS displays the number of times the setup menu has been entered into.

SErvES displays the number of times the service menu has been entered into.

CALS displays the number of times the scale has been span calibrated.

Menu will restart to **SrvicE** menu title when you have cycled through all the options.
Power off scale to exit Service Mode

Factory Mode

Device will enter factory mode by entering PIN **0294**.
The scale will cycle through these parameters by pressing **LB/KG** key.

Funcn

AdC.CFG gives the user the option of connecting to the measurement board via the display board. If **yes** is pressed, this option will be enabled until the user progresses from the “_____” screen.

SOft displays the software version.

dAtE displays the software release date in US date format (MM.DD.YY)

SCALE displays the scale model.

AutOff allows the user to configure the time in seconds until the scale powers off.

ACCONt allows the user to configure the scale to be continuously on if AC power is connected. This overrides the **AutOff** option.

Fct.UNt allows the user to configure the scale so that the units (display and print) cannot be changed from “Set-Up” menu. (“ON” - the units cannot be changed in Setup mode)

rES allows the user to configure the resolution the scale will display weights at to the following options:

0.1 pounds / 0.05 kilograms

- 0.1 pounds / 0.1 kilograms
- 0.2 pounds / 0.1 kilograms
- 0.5 pounds / 0.2 kilograms
- 1 pound / 0.5 kilograms

UnitS allows the user to configure the units the scale will be able to use in typical display mode. Locking this to a specific unit will also restrict what units can be printed.

Note: If all units are set to **Off**, the scale defaults to **KILOS**.

UI Display Light ON	
KILOGRAMS	This option displays the weight in kilograms (0.0). Default is On
KILOGRAMS and POUNDS	This option displays the weight in pounds and kilograms. Default is On
POUNDS	This option displays the weight in pounds (0.0). Default is OFF

bEEPEr allows the user to configure the external buzzer. The default is **On**.

rEcALL allows the user to configure whether the scale can be powered on in recall mode. If set to **OFF**, then Recall key will not operate.

USb allows the user to send weight data to the computer. **ON** is to enable usb data transfer option, **OFF** is to disable usb data transfer option.

PrntEr allows the user to send weight data to the built-in-printer. **ON** is to enable printer option, **OFF** is to disable printer option.

PrtUnt allows the user to configure which unit will be shown on the USB data transfer. If both units are selected then the scale will use the units displayed at time of printing. Cycles through unit options (lb only, kg only, lb-kg). This option determines whether pounds or kilograms are displayed on a printout. If the pounds and kilograms indicators are illuminated on the control panel, the printed output is determined by whichever unit is selected on the control panel. If the kilogram indicator is illuminated, it will only print in kilograms, regardless of the unit that is selected on the control panel. If the pounds indicator is illuminated, it will only print in pounds, regardless of the unit that is selected on the control panel. Same as Ounces, Pounds-Ounces unit.

PrtOPt allows the user to configure sending weight manually using the **SEND DATA** key or automatically. **PnlPrt** is the manual setting and **AutPrt** is the automatic setting

For the scales that do not support print or send data, the corresponding menus in Setup Mode are disabled and the option do not show in Setup mode.

Menu will restart to **FAcTrY** menu title when you have cycled through all the options.

Power off scale to exit Service Mode

Default Factory Settings

	5002/5122/5702/6002/6702/6702SP/6702W			
	-XX-*	-XP-*	-KX-*	-KP-*
SOft	U x.x.x			
dAtE	xx.xx.xx			
FiltEr	1.0			
SCALE	5002 Scale Setting: 5002 5122 Scale Setting: 5122 5702 Scale Setting: 5702 6002 Scale Setting: 6002 6702, 6702SP, 6702W Scale Setting: 6702			
AdC.CFG	No			
AutOFF	45			
AC Con	On			
rES (lb kg)	0.1, 0.1			
Fct.UNt	OFF			
UnitS	LB LED On KG LED On		LB LED OFF KG LED On	
bEEPEr	On			
rEcALL	On, On			
PrntEr	OFF, ON, OFF, ON			
USb	ON			
Prtunt	LB LED On KG LED On		LB LED OFF KG LED On	
PrtOPt	PnlPrt			

Calibration of Scale

Your scale has been carefully calibrated at the factory. Only use calibrated, certified scale test weights for this purpose. Calibration weights may be purchased from **WELCH ALLYN** or a local scale dealer.

TEST CALIBRATION WEIGHTS ARE AVAILABLE FROM WELCH ALLYN. THREE (3) 25 KILOGRAM TEST WEIGHTS ARE RECOMMENDED. ORDER PART NO. 20021W. (25 KG TEST WEIGHTS)

Large changes in calibration often indicate a damaged load cell or faulty readout component. Those not having proper tools or knowledge of electronic systems and their attendant shock hazards should not attempt calibration.

Calibration Procedure

Enter the **calibration mode** by following **exactly** the procedure outlined below:

1. Press **ZERO, REWEIGH** and power together to enter Custom mode.
2. Device will enter calibration mode by entering PIN **8933**.
The scale will cycle through these parameters by pressing **LB/KG** key.
3. **nvv (Mvv)** shows the current mV/V on the scale (identical to the option in service mode).
4. **ZErO** is to do zero calibration, press **LB/KG** key to enter options, press the **REWEIGH** key to go to the next option
 - a. **No:** Do nothing.
 - b. **Yes:** Zero calibrate the scale using the weight currently on the scale.
 - i. Make sure the scale is on a flat hard surface with no physical interference. Press the **LB/KG** key to begin calibration.
 - ii. Screen will show **ZErO** and a number while the calibration is in process and **dONE** when the calibration is complete.
 - c. **Default:** Zero calibrate the scale for 0kg = 0mV/V.
5. **SPAN** is to do span calibration, press **REWEIGH** key for the options
 - a. **No:** Do nothing.
 - b. **Yes:** Span calibrate the scale with the user-entered weight and the weight currently on the scale.
 - i. Place the calibration weight in the center of the scale and press the **LB/KG** key to begin calibration.
 - ii. The screen will show **US** for lbs, press the **REWEIGH** key to change to **nEtriC(MEtriC)** for kilograms. Press the **LB/KG** key to select units for calibration.
 - iii. Enter the calibration weight being used. The default for lbs is 400.00 and the default for kg is 200.00. The **REWEIGH** key increments and the **RECALL** key decrements the selected digit. The **LB/KG** key moves to the next digit and starts the calibration after the last digit.
 - iv. Screen will show **SPAN** and a number while the calibration is in process and **dONE** when the calibration is complete
 - c. **Default:** Span calibrate the scale with the capacity and mV/V taken from the scale type table.

6. The follow error messages may show:

Error Message	Meaning
ER ZR0	Reading is outside the scale type's acceptable mV/V range.
ER ZR1	Calibration message failed to send.
ER ZR2	There was an error while waiting for the scale to calibrate.
ER ZR3	The calibration did not save.
ER OL	The span weight was greater than the capacity weight of the scale.
ER SP1	The span weight was outside the acceptable span margin for the given mV/V reading.
ER SP2	Calibration weight message failed to send.
ER SP3	Does not currently exist.
ER SP4	Calibration weight message failed to send.
ER SP5	There was an error while waiting for the scale to calibrate. This can occur if the user presses the Zero key while calibrating, or if the measurement board has an internal error.
ER SP6	The calibration did not save.

If an error occurs, press the **LB/KG** key to exit back to the Calibration options. Retry the calibration. If the error continues see the disassembly and troubleshooting section to identify.

USB Details

For detailed help and information regarding the data output capabilities, contact Welch Allyn.

Disassembly and repair

These procedures provide instructions for device disassembly and board removal, as well as component replacement and reassembly.

Each part's disassembly instructions might include one or both of the following:

- **Reassembly notes:** This subsection contains information specific to reassembly. At a minimum, these notes indicate whether reassembly is the reverse of disassembly. The notes also list service kits of replacement parts where applicable.
- **When replacing the *component*:** This subsection contains additional instructions related to installing a new option or replacement part.

Each disassembly step includes drawings that illustrate the components to be removed. The reassembly notes could be as short as one or two lines when reassembly is the reverse of disassembly. When reassembly is more complicated, these notes alert you to any special care required to complete the repair or installation and sometimes introduce separate reassembly instructions. Line drawings appear in the reassembly notes only when they differ from the drawings in the disassembly instructions.



WARNING Electrical shock hazard. Disconnect AC power before opening the device. Disconnect and remove the battery before proceeding with disassembly. Failure to do this can cause serious personal injury and damage to the device.



CAUTION Before disassembling the device or installing options, power down the device, and disconnect the AC power cord and any attached accessories from the device.



CAUTION Perform all repair procedures at a static-protected station.



CAUTION When the device case is opened, regard all parts as extremely fragile. Execute all procedure steps with care and precision.



CAUTION Observe screw torque specifications, especially with screws that secure directly into plastic standoffs.



CAUTION To avoid mismatching screws and holes, keep the screws for each piece with that piece as you remove modules and circuit assemblies.

Note: Whenever the scale is opened for repair purposes a Calibration must be performed.

Required tools:

Mast

- 5/32" Allen wrench
- #1 Phillip screwdriver
- 7/16" Socket
- 9/16" Socket
- 5/64" Allen wrench
- Torque socket wrench

5002, 5702, 6002 Base

- 1/8" Allen socket
- 1/2" Socket and open-end wrench
- 5/32" Allen socket
- 3/8" Socket or open-end wrench
- Small Phillip screwdriver
- Torque socket wrench

6702, 6702W, 6702SP Base

- #2 Philip Screwdriver/socket bit
- 5/32" flat head screwdriver
- 7/16" Socket/Hex Bit/open-end wrench
- 5/16" open end wrench
- 1/2" Socket and open-end wrench
- 1/4" Square Drive Hex Bit Socket set
- 3/8" Square Drive Hex Bit Socket Set
- 5/32" Hex Bit/Allen wrench
- 1/8" Hex Bit/Allen wrench
- 3/16" Hex Bit/Allen wrench
- Torque socket wrench

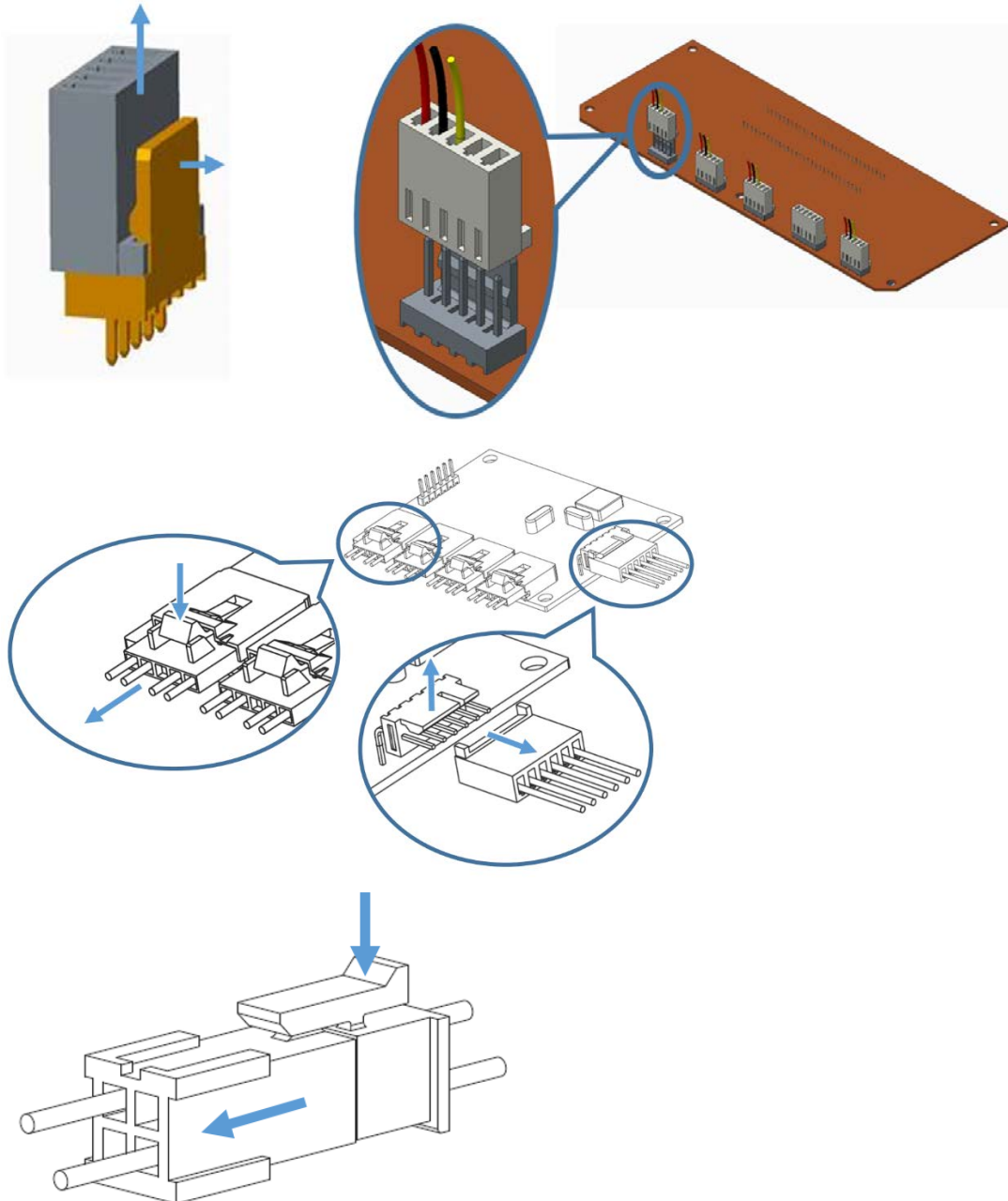
5122

- #1 Phillip screwdriver
- Small Phillip screwdriver
- 1/8" Allen wrench
- 5/32" Allen socket
- 7/16" Socket or open-end wrench
- 5/64" Allen wrench
- 3/8" Socket or open-end wrench
- 5/16" Socket
- Torque socket wrench

Connector types

Disassembly and repair procedures require that you disconnect and reconnect the following connector types inside the device:

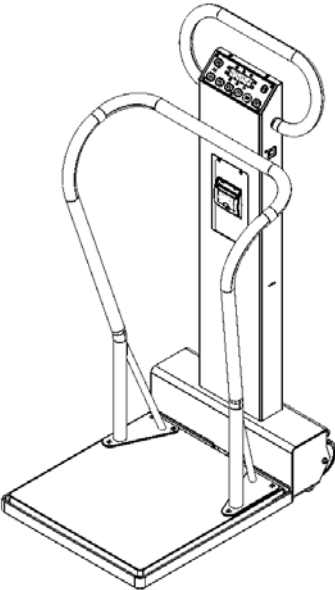
o **Locking (squeeze-release):** Locking connectors use a latching mechanism to prevent accidental disconnection during assembly and use. The latch is located on one end of a tab so it may flex and lock into place when coupled with its matching connector. The tab provides a lever to release the latch. Some connectors have multiple latches that require you to press multiple tabs to release.



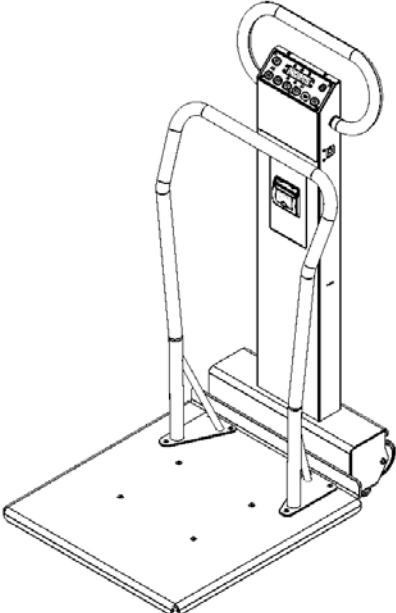
Mast Disassembly overview

NOTE: The mast and base disassembly process is for the 5002, 5702, and 6002, and 6702 models. For the 5122 Model see [page 71](#).

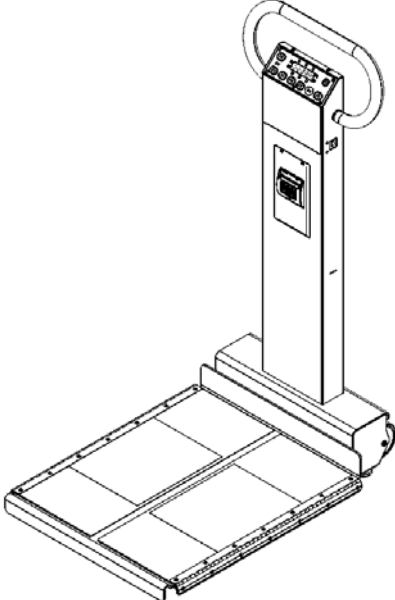
Handrail and Mast Removal



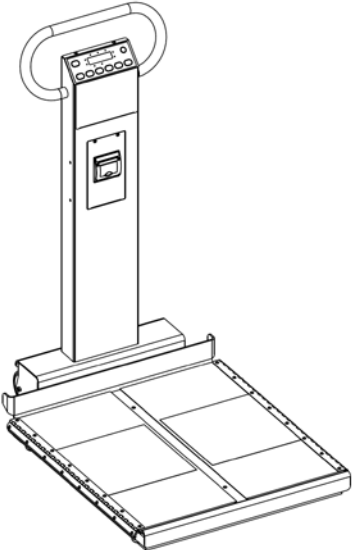
5002



5702

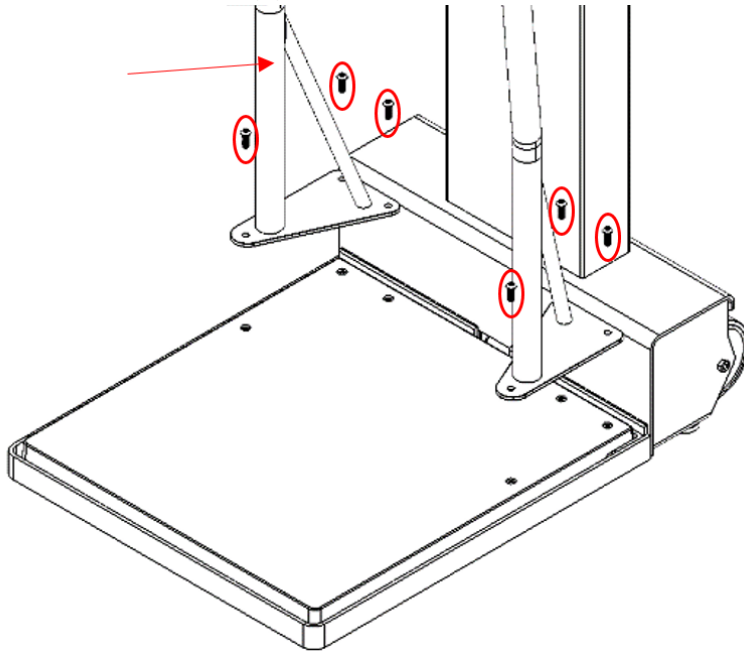


6002

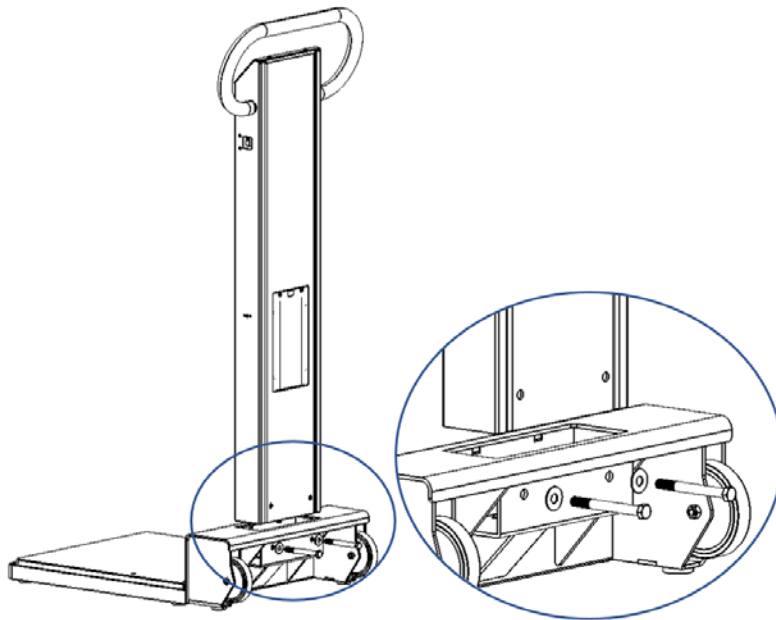


6702/6702W/6702SP

1. Remove handrail screws (6) and handrail

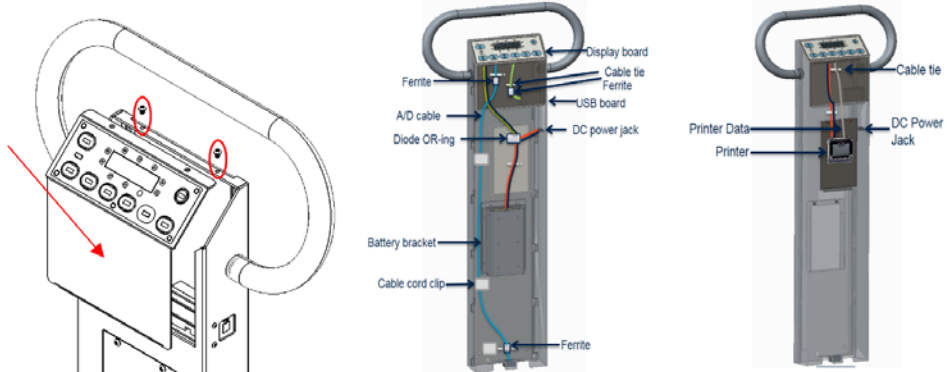


2. Remove mast bolts and washers (2) and mast

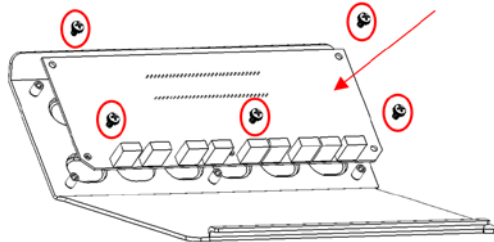


Mast Disassembly

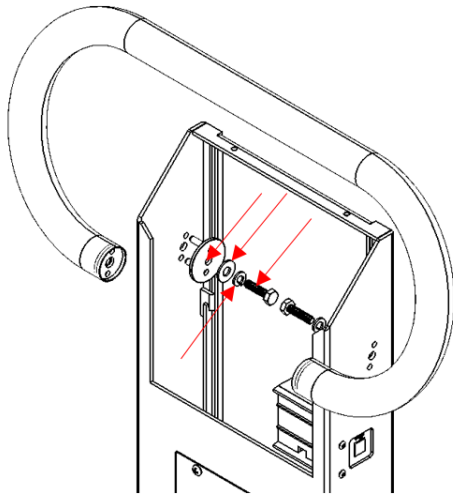
1. Remove Readout Panel mounting screws (2) and Readout Panel. Disconnect the wire harnesses and unlock the latching wire clips to completely remove.



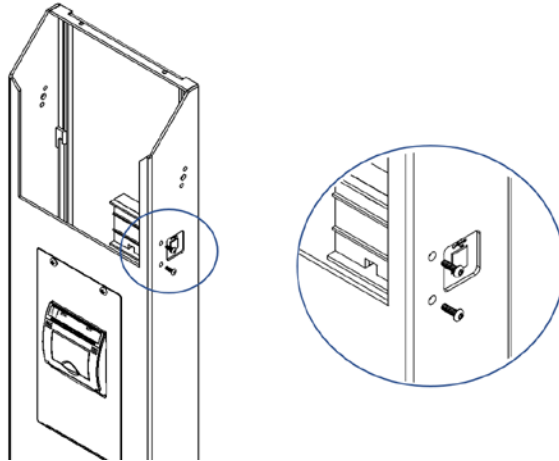
2. Readout Panel Disassembly
 - a. Remove display board mounting screws (5) and display board



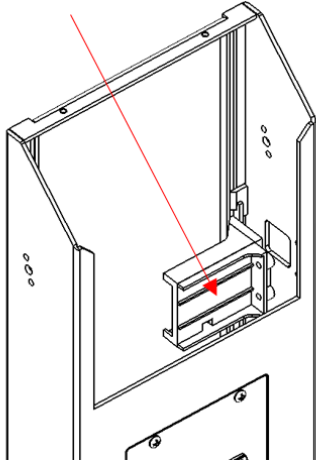
3. Remove handle bolt (2), lock washer (2), wide washer (2), pin aligner (2), and handle



4. Remove USB output module mounting screws (2)

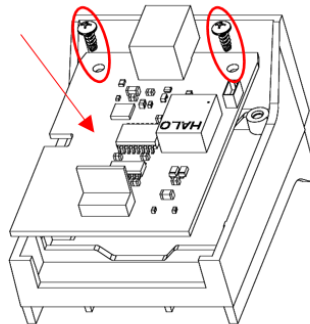


5. Remove USB output module assembly. Disconnect the wire harness to completely remove.



a. USB Assembly disassembly

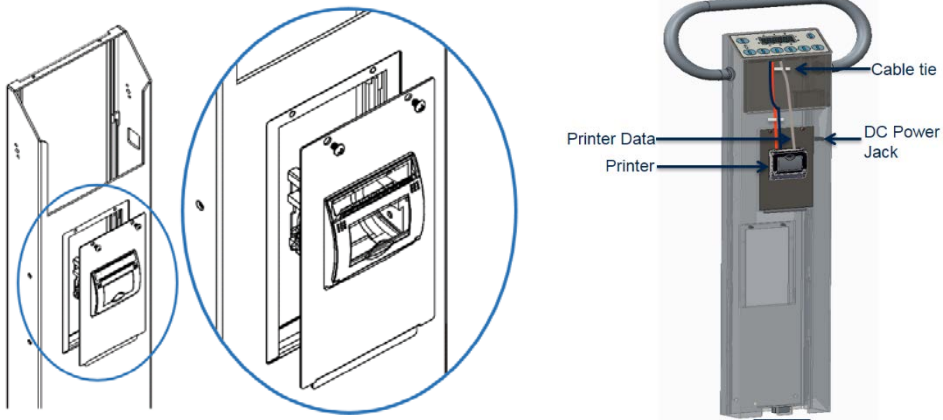
i. Remove the USB PCBA board mounting screws and then carefully remove the PCBA board from the bracket by using the snap fit.



SNAP FIT
FEATURE
FOR USB BOARD
MOUNTING
(BOTH SIDE)

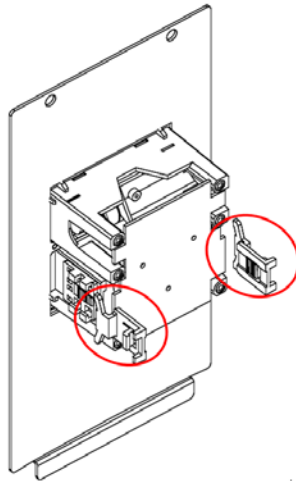


6. Remove Printer Door mounting screws (2) and Printer door assembly. Disconnect wire harness and unlock the latching wire clips to completely remove.

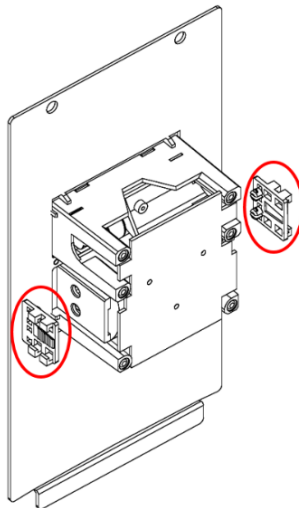


a. Printer door disassembly

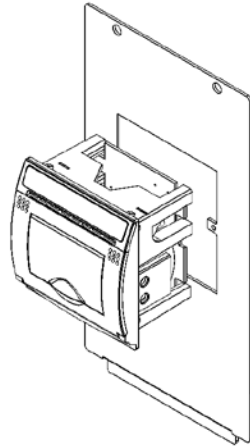
- i. Gently pull the head of the mounting clips to slide them off the printer to release it from the door.



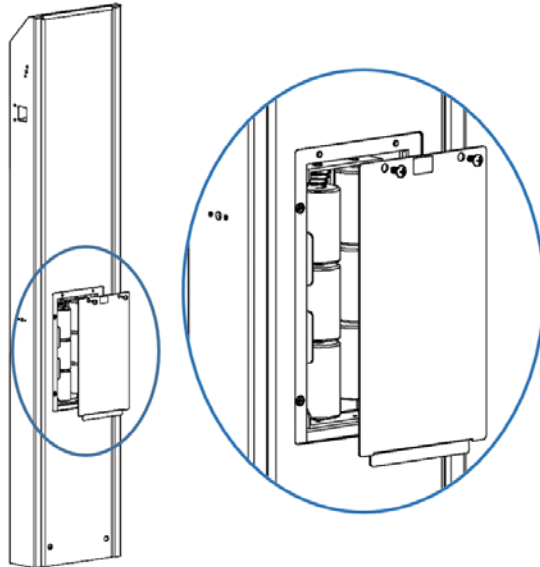
- ii. Pop off the clip holders from the printer.



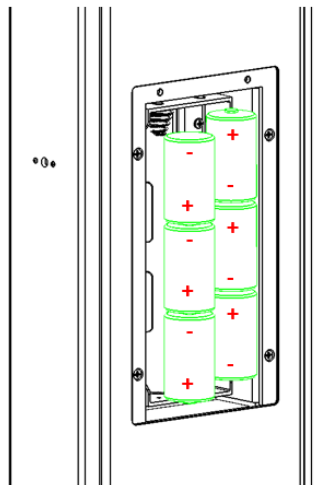
iii. Remove printer from the door.



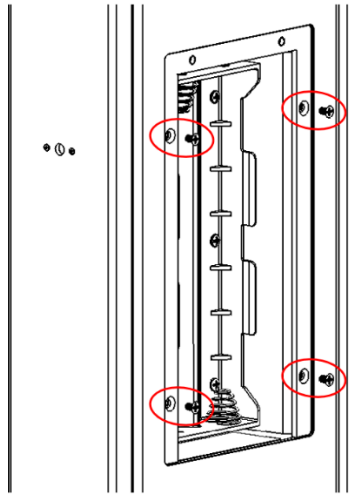
7. Remove battery door screws (2) and battery door.



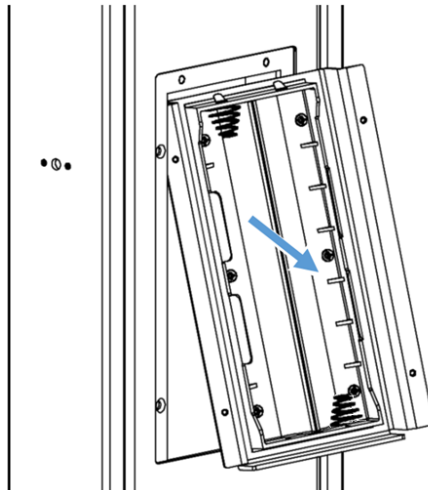
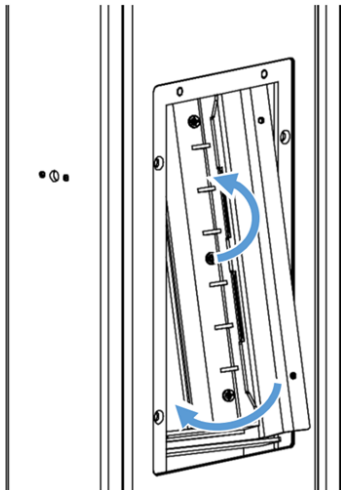
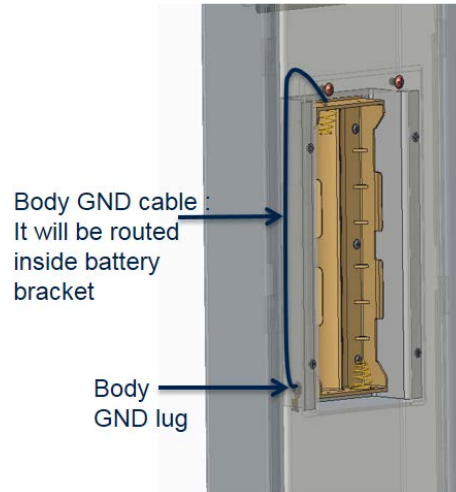
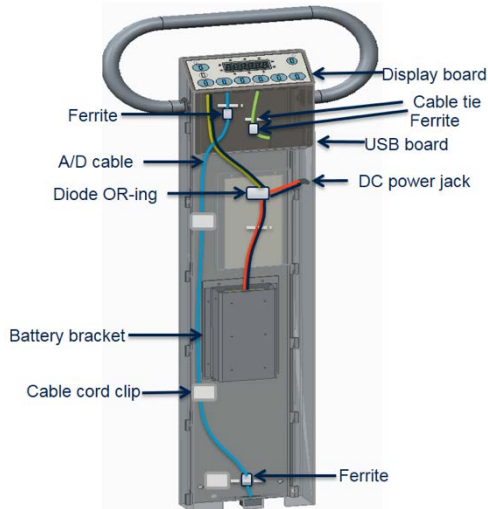
8. Remove batteries.



9. Remove Battery Holder mounting screws (4).

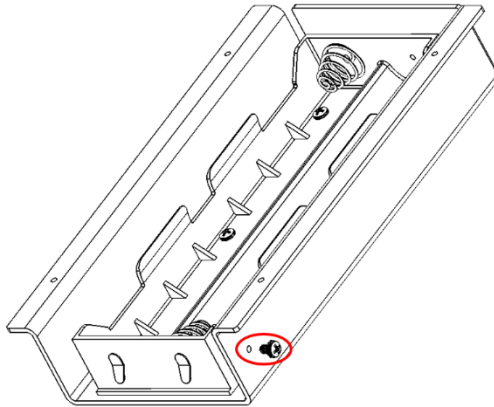


10. Unlock the latch wire clips and disconnect them; then, carefully remove the battery holder assembly lower end first. Some rotating will be required to fit the assembly out of the access window. **DO NOT PULL ON WIRES. ASSEMBLY SHOULD ONLY BE REMOVED 3" TO ACCESS THE WIRE HARNESS TO REMOVE.**

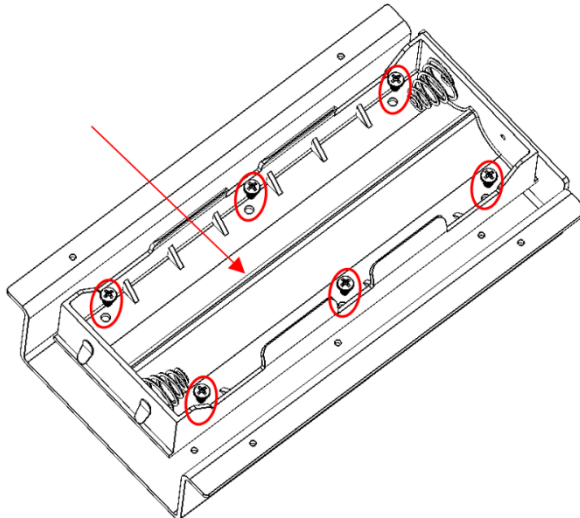


11. Battery Holder disassembly

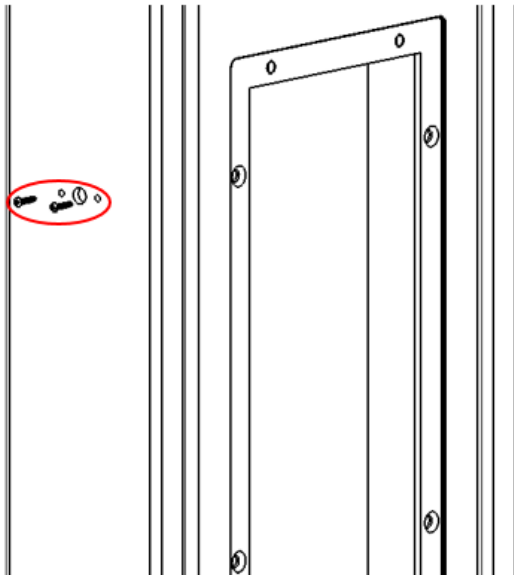
- a. Remove the grounding wire mounting screw.



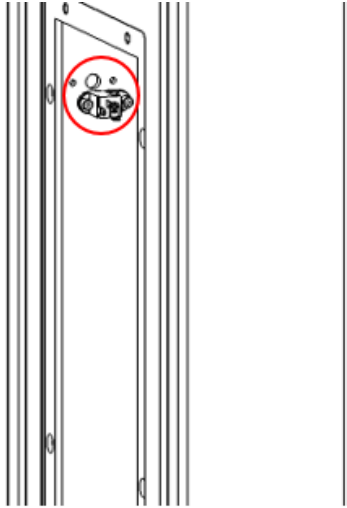
- b. Remove the battery holder mounting screws (6) and battery holder.



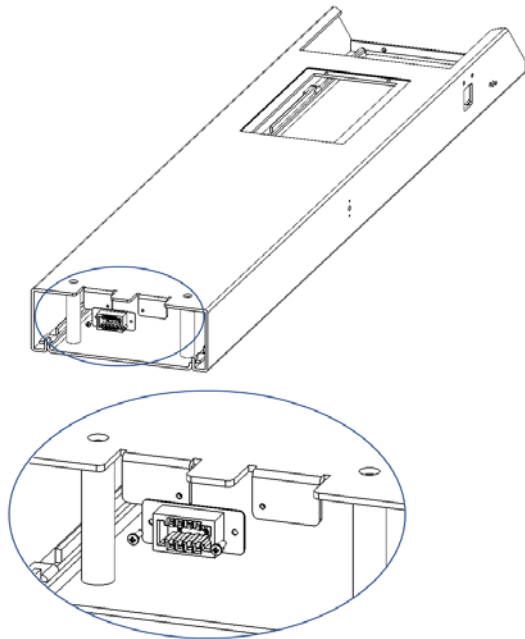
12. Remove the power jack mounting screws (2).



13. Remove power jack module and disconnect wire harness to completely remove.



14. Lay the mast down and unlock the wire clips to remove Wire Harness mounting screws (2) and Wire Harness from the bottom of the mast.



Torque Specification Values

Use this table to determine how much torque to apply to screws by type and location when reassembling the device.

Mast Bolts

Welch Allyn Part Number	Welch Allyn Part Number Description	Torque spec (in-lb)
130234	BOLT 3/8-16X3 3/4 HEX HEAD	235.2 ± 58.8

Mast Assembly

Welch Allyn Part Number	Welch Allyn Part Number Description	Torque spec (in-lb)
726494	SCREW 1/32X3/8 THREAD FORM	1.8 ± 0.4
130204	SCW, 6-32 X 1/4: FHMS UNDERCUT, ZINC	2.9 ± 0.7
130237	SCW 10-43X3/8 PHIL RND MS SS	15.9 ± 3.9
130212	10-32 X 1/4 SCREW – BHMS SOC	15.9 ± 3.9
726746	SCREW, 6-32X7/16", HEX RHS, ZINC STEEL	8.7 ± 2.1

Mast Body Assembly

Welch Allyn Part Number	Welch Allyn Part Number Description	Torque spec (in-lb)
25066	BOLT 1/4-20X1 HEX HEAD SS	75.2 ± 3.8
106100-4	SCREW 4-40 .380 PAN PHILLIPS	5.2 ± 1.3

Battery Bracket Assembly

Welch Allyn Part Number	Welch Allyn Part Number Description	Torque spec (in-lb)
24014	SCW 6-32X1/4 PHIL PAN STEEL NICKEL	8.7 ± 2.1
48611	SCW, 6-32 X 1/4: PHMS SEMS, NICKEL	8.7 ± 2.1

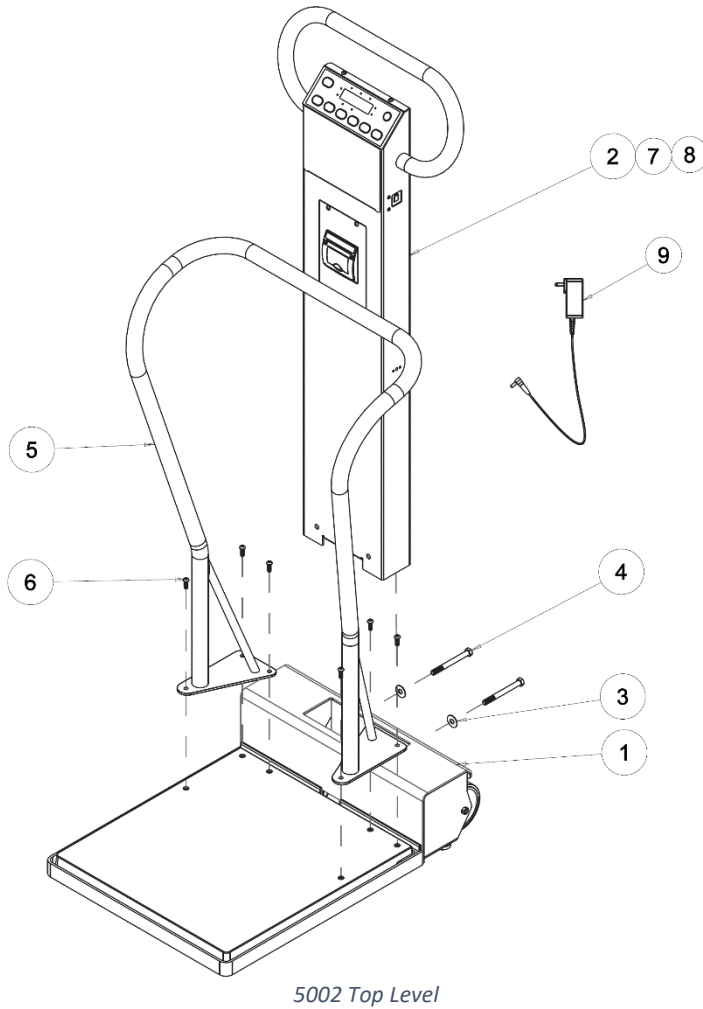
USB Assembly

Welch Allyn Part Number	Welch Allyn Part Number Description	Torque spec (in-lb)
727161	SCREW 3/24X1/4 PHILLIPS PSP PLASTITE	3 ± 0.7

Readout Assembly

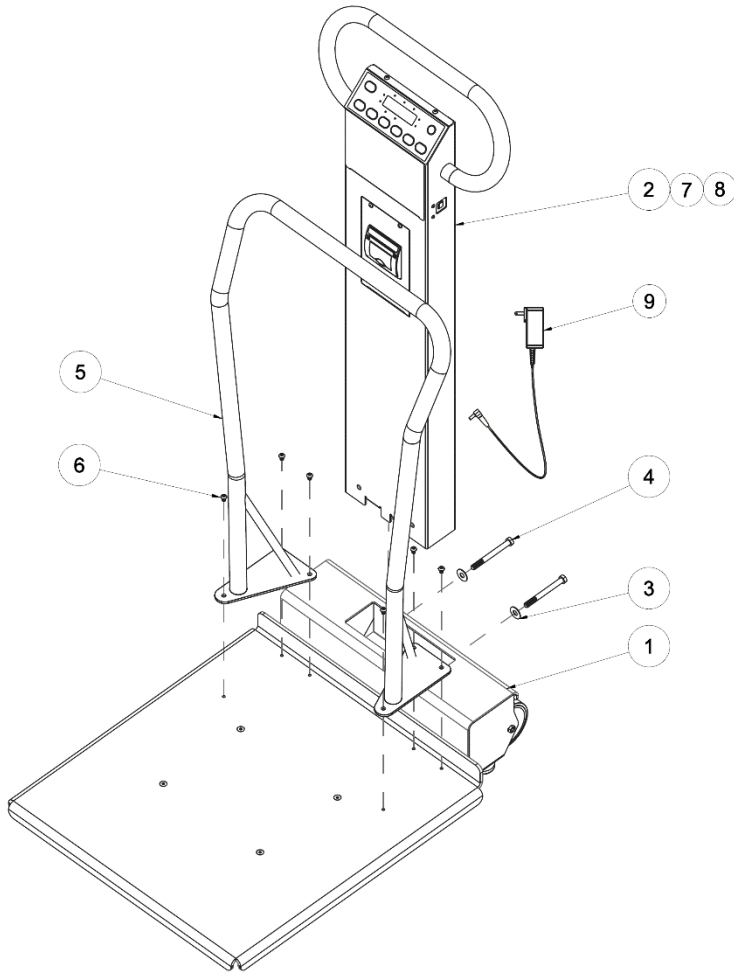
Welch Allyn Part Number	Welch Allyn Part Number Description	Torque spec (in-lb)
48611	SCW, 6-32 X 1/4: PHMS SEMS, NICKEL	8.7 ± 2.1

Hand Rails Exploded Repair Parts View Diagram



5002 Repair Parts

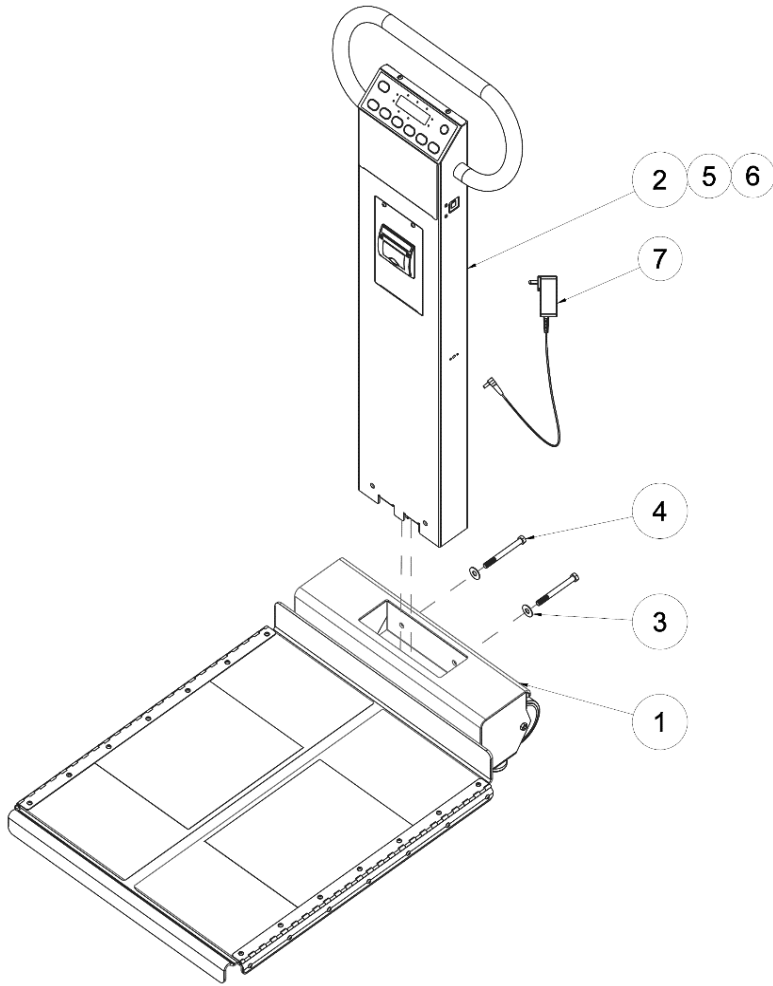
Unique Identifier	Welch Allyn Part Number	Qty	Welch Allyn Part Number Description
1			SEE 5002 BASE EXPLODED REPAIR PARTS Table
2			SEE MAST EXPLODED REPAIR PARTS Table 2
7			
8			
3	132074	2	WASHER 3/8 IDX1 ODSS
4	130234	2	BOLT 3/8-16X3 3/4HEX HEAD
5	411973	1	HANDRAIL, 5002, SCALE-T
6	50529	6	1/4-20X3/4 BUTT HD SOCK SCR
9	726551	1	POWER SUPPLY, EXT, 12VDC



5702 Top Level

5702 Repair Parts

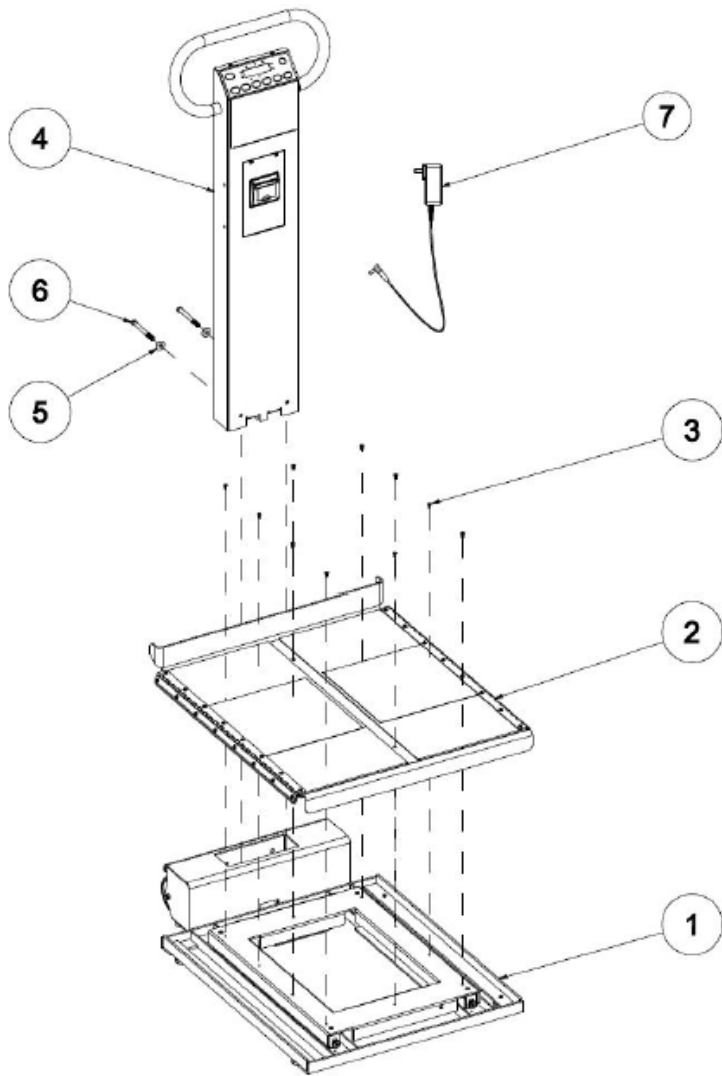
Unique Identifier	Welch Allyn Part Number	Qty	Welch Allyn Part Number Description
1			SEE 5702 EXPLODED REPAIR PARTS Table 9
2 7 8			SEE MAST BODY ASSY EXPLODED VIEW Table 2
3	132074	2	WASHER 3/8 IDXI ODSS
4	130234	2	BOLT 3/8-16X3 3/4HEX HEAD
5	411869	1	HANDRAIL FOR 5702 PACKED
6	23335	6	SCW 1/4-20X3/8" BHCS SOCKET
9	726551	1	POWER SUPPLY, EXT, 12VDC



6002 Top Level

6002 Repair Parts

Unique Identifier	Welch Allyn Part Number	Qty	Welch Allyn Part Number Description
1			SEE 6002 EXPLODED REPAIR PARTS Table 9
2			SEE MAST BODY ASSY EXPLODED VIEW Table 2
5			
6			
3	132074	2	WASHER 3/8 IDXI ODSS
4	130234	2	BOLT 3/8-16X3 3/4HEX HEAD
7	726551	1	POWER SUPPLY, EXT, 12VDC

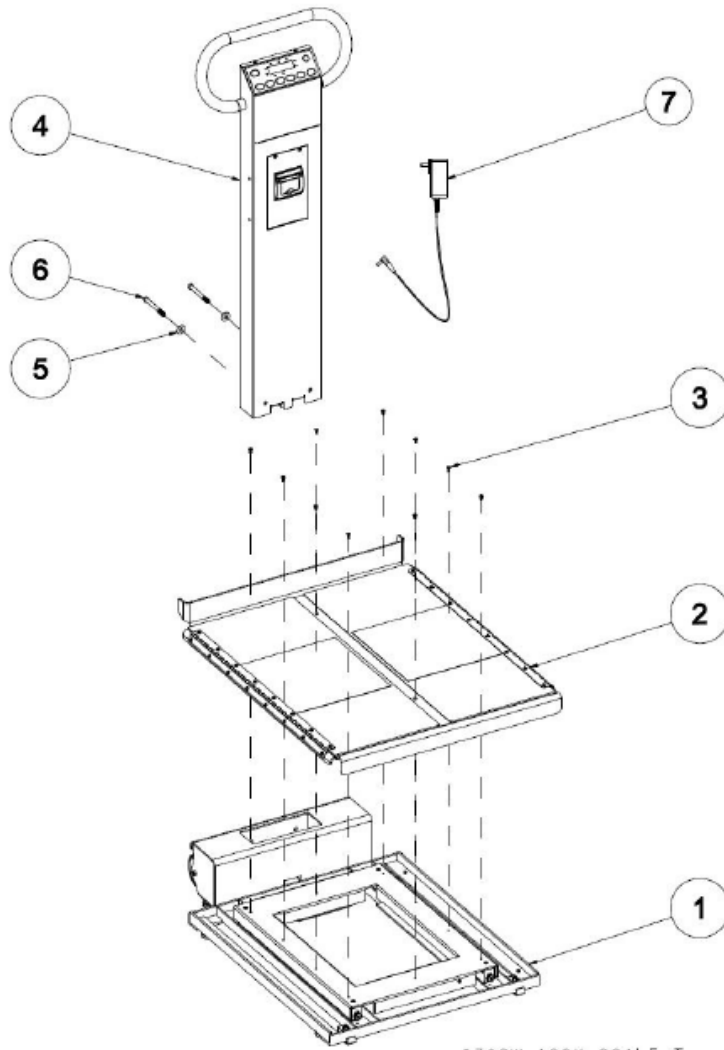


6702 ASSY SCALE-T

6702 Top Level

6702 Repair Parts

Unique Identifier	Welch Allyn Part Number	Qty	Welch Allyn Part Number Description
1			SEE BASE DISASSEMBLY FOR VARIATIONS AND PARTS Table 15
2	630179	1	PLATFORM DECK ASSY 6702
3	30378	10	10-24 X 1/2 FH SOC SCR
4			SEE MAST BODY ASSY EXPLODED VIEW Table 2
5	132074	2	WASHER, 3/8" ID X 1" ODSS
6	130234	2	BOLT 3/8-16 X 3 3/4" HEX HEAD
7	726551	1	POWER SUPPLY, EXT, 12VDC

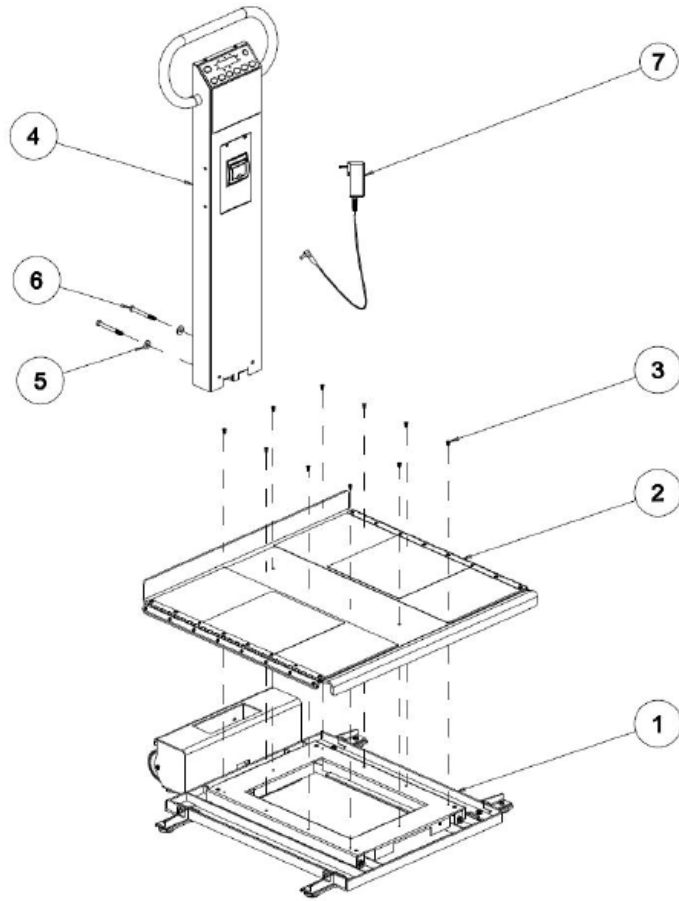


6702W ASSY SCALE-T

6702W Top Level

6702W Repair Parts

Unique Identifier	Welch Allyn Part Number	Qty	Welch Allyn Part Number Description
1			SEE BASE DISASSEMBLY FOR VARIATIONS AND PARTS Table 16
2	630202	1	PLATFORM DECK ASSY 6702
3	30378	10	10-24 X 1/2 FH SOC SCR
4			SEE MAST BODY ASSY EXPLODED VIEW Table 2
5	132074	2	WASHER, 3/8" ID X 1" ODSS
6	130234	2	BOLT 3/8-16 X 3 3/4" HEX HEAD
7	726551	1	POWER SUPPLY, EXT, 12VDC



6702SP ASSY SCALE-T

6702SP Top Level

6702SP Repair Parts

Unique Identifier	Welch Allyn Part Number	Qty	Welch Allyn Part Number Description
1			SEE BASE DISASSEMBLY FOR VARIATIONS AND PARTS Table 17
2	630178	1	PLATFORM ASSEMBLY 30"X35"
3	30378	10	10-24 X 1/2 FH SOC SCR
4			SEE MAST BODY ASSY EXPLODED VIEW Table 2
5	132074	2	WASHER, 3/8" ID X 1" ODSS
6	130234	2	BOLT 3/8-16 X 3 3/4" HEX HEAD
7	726551	1	POWER SUPPLY, EXT, 12VDC

5002, 5702, 6002, 6702, 6702W, 6702SP MAST Exploded Repair Parts view diagram

Mast Repair Parts

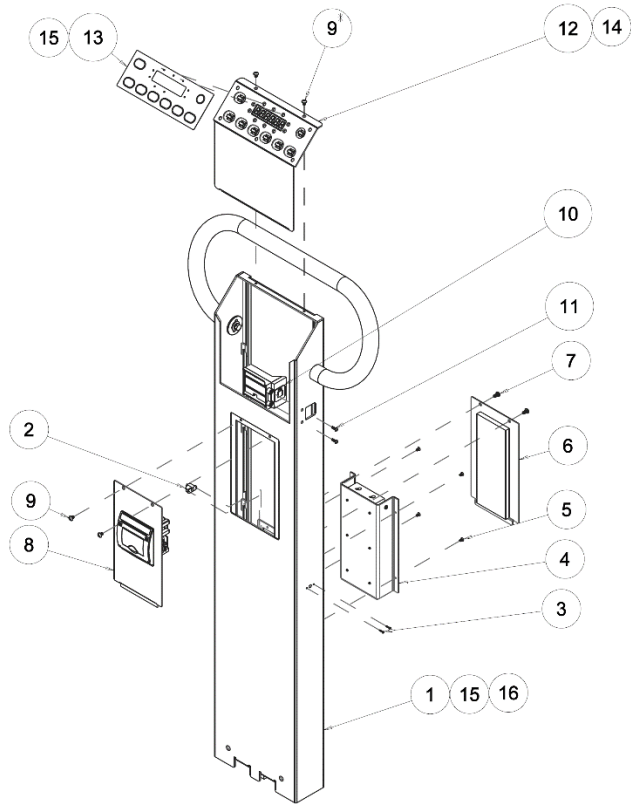


Table 1 Mast Repair Parts

Unique Identifier	Welch Allyn Part Number	Qty	Welch Allyn Part Number Description
1 15 16			SEE MAST BODY ASSY EXPLODED VIEW Table 2
2	412432	1	HARNESS POWER JACK DC 2.5MM SCALE-T
3	726494	2	SCREW 1/32X3/8 THREAD FORM
4			SEE BATTERY BRACKET ASSY EXPLODED VIEW Table 6
5	130204	4	SCW, 6-32 X 1/4" FHMS UNDERCUT, ZINC
6	726612 726975	1 1	PANEL, MAST, BATT ACCESS, SCALE-T LABEL SCALE-T BATTERY DOOR
7	130237	2	SCW 10-32X3/8 PHIL RND MS SS
8			SEE PRINTER ASSY EXPLODED VIEW Table 5
9	130212	2	10-32 X 1/4 SCREW – GHMS SOC
10			SEE USB ASSY EXPLODED VIEW Table 4
11	726746	2	SCREW, 6-32X7/16", HEX RHS, ZINC STEEL
12 14			SEE READOUT ASSY EXPLODED VIEW Table 3

13	726601	1	OVERLAY, GRAPHIC, MAST, WPRINT, SCALE-T
15	726602		OVERLAY GRAPHIC MAST WOPRINT SCALE-T

Accessory Repair Parts

Welch Allyn Part Number	Qty	Welch Allyn Part Number Description
749201	6	"D" CELL BATTERY
726551	1	POWER SUPPLY, EXT, 12VDC
726975	1	LABEL, SCALE-T, 6 D BATTERY DOOR
726583	1	SCALE EXTERNAL POWER LABEL
725715	1	LABEL, MAST AND BASE SN MATCH SCALE-T
726637	1	LBL ST CAPACITY LABEL 454KG 5702 SCALE
726639		LBL ST CAPACITY LABEL 454KG 6702 SCALES
726630	1	SCALE-T PRODUCT LABEL 5002
726631		SCALE-T PRODUCT LABEL 5702
726632		SCALE-T PRODUCT LABEL 6002
726633	1	SCALE TRONIX PRODUCT LABEL 6702
726634		SCALE TRONIX PRODUCT LABEL 6702SP
726635		SCALE-T PRODUCT LABEL 6702W

Mast Subassembly Repair Parts

Mast Body Assembly

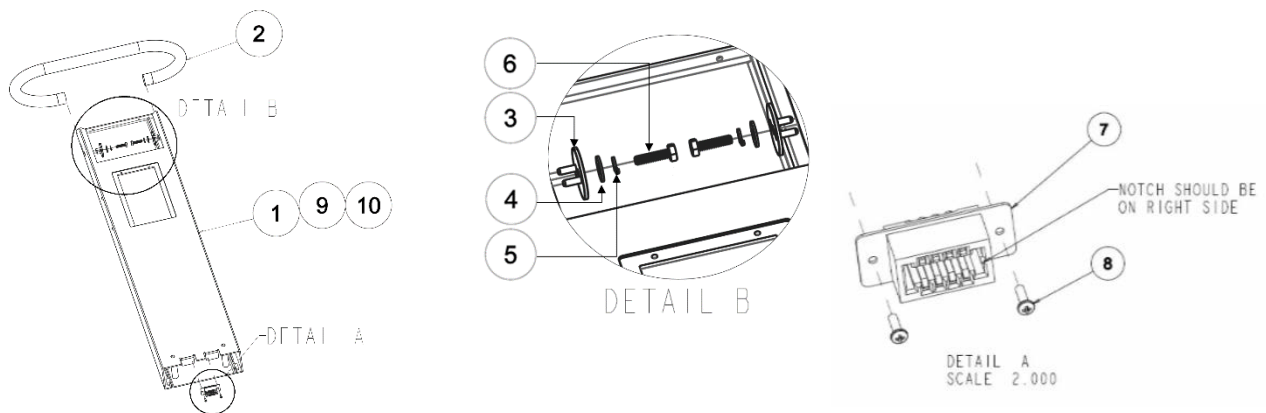


Table 2 Mast Body Repair Parts

Unique Identifier	Welch Allyn Part Number	Qty	Welch Allyn Part Number Description
1	727201	1	MAST CASE, HIGH, WITH PRINTER, SCALE-T
9	726600		MAST CASE HIGH WO PRINTER SCALE-T
10	726499		MAST CASE HIGH W/O PRINTER W/O AC SCALE-T
2	039301W	1	HANDLE MAST GRAY
3	039302W	2	PIN ALIGNER MAST HANDLE
4	30374	2	WASHER 0.318 IDX0.738 ODX0.062 TK
5	33004	2	WSH 1/4 STEEL SPLIT LOCK
6	25066	2	BOLT 1/4-20X1 HEX HEAD SS

7	726603	1	HARNESS INTERIOR MAST COMMON SCALE-T
8	106100-4	2	SCREW 4-40 .380 PAN PHILLIPS

Readout Assembly

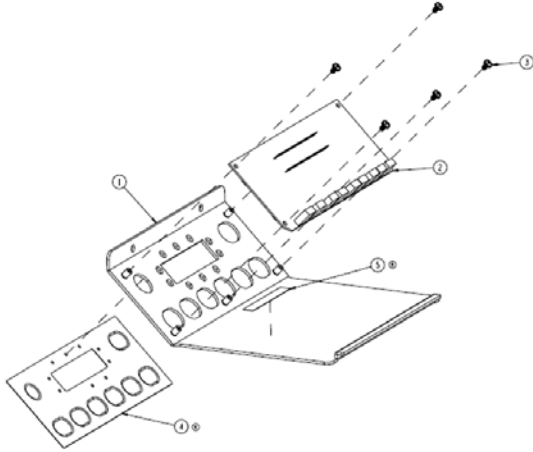


Table 3 Readout Assembly

Unique Identifier	Welch Allyn Part Number	Qty	Welch Allyn Part Number Description
1	726611	1	COVER, MAST, READOUT PANEL, SCALE-T
2	412270	1	PCBA DISPLAY W/TACT-SWITCH SCALE-T
3	48611	5	SCW, 6-32 X 1/4" PHMS SEMS, NICKEL
4	726601 726602	1	OVERLAY, GRAPHIC, MAST, WPRINT, SCALE-T OVERLAY, GRAPHIC, MAST, WOPRINT, SCALE-T
5	725152	1	SCALE-TRONIX SERIAL NUMBER LABEL

USB Assembly

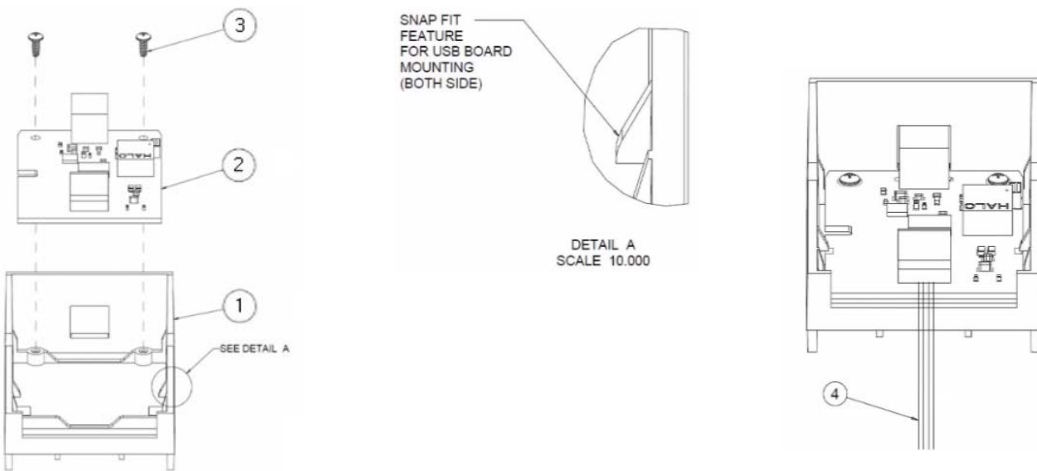


Table 4 USB Assembly

Unique Identifier	Welch Allyn Part Number	Qty	Welch Allyn Part Number Description
1	726555	1	BRACKET, USB PCBA, SCALE-T

2	412273	1	PCBA USB SCALE-T
3	727161	2	SCREW 3/24X1/4 PHILLIPS PHP PLASTITE
4	412430	1	HARNESS, USB INTERFACE, SCALE-T

Printer Door Assembly

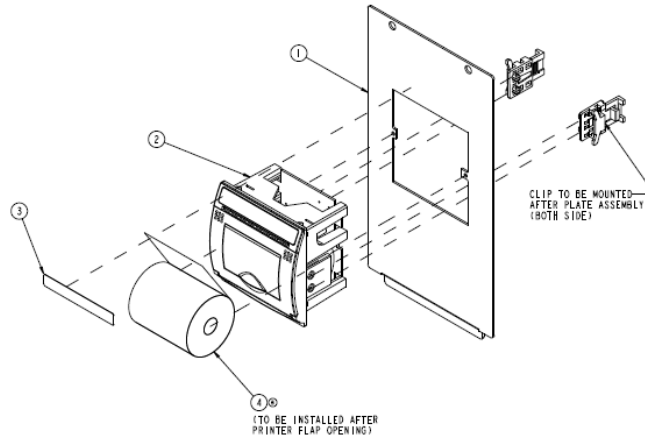


Table 5 Printer Assembly

Unique Identifier	Welch Allyn Part Number	Qty	Welch Allyn Part Number Description
1	726609	1	PLATE, PRINTER HOLDER, MAST, SCALE-T
2	726610	1	PRINTER MECH MARTEL SCALE-T_MPP5810-20K-414
3	727274	1	LBL, Printer, Masted, Scale_T

Printer Accessory Repair Parts

Unique Identifier	Welch Allyn Part Number	Qty	Welch Allyn Part Number Description
4	412713		THERMAL PAPER, BOX 15 ROLLS, SCALE-T

Battery Bracket Assembly

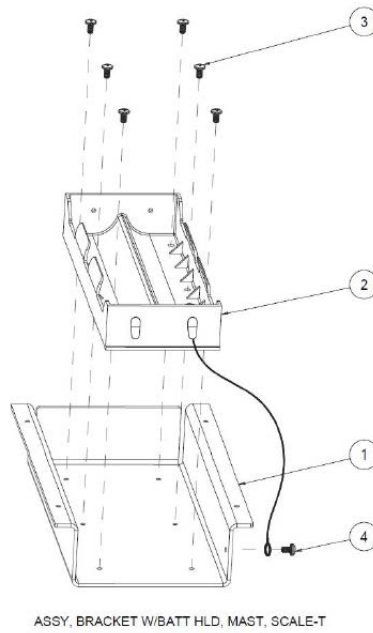


Table 6 Battery Bracket Assembly

Unique Identifier	Welch Allyn Part Number	Qty	Welch Allyn Part Number Description
1	726616	1	BRACKET, MAST, BATT HLD, SCALE-T
2	412431	1	HARNESS BATT HOLDER W/GRD SCALE-T
3	24014	6	SCW 6-32 X 1/4 PHIL PAN STEEL NICKEL
4	48611	1	SCW, 6-32 x 1/4" PHMS SEMS, NICKEL

Mast Wiring Diagram

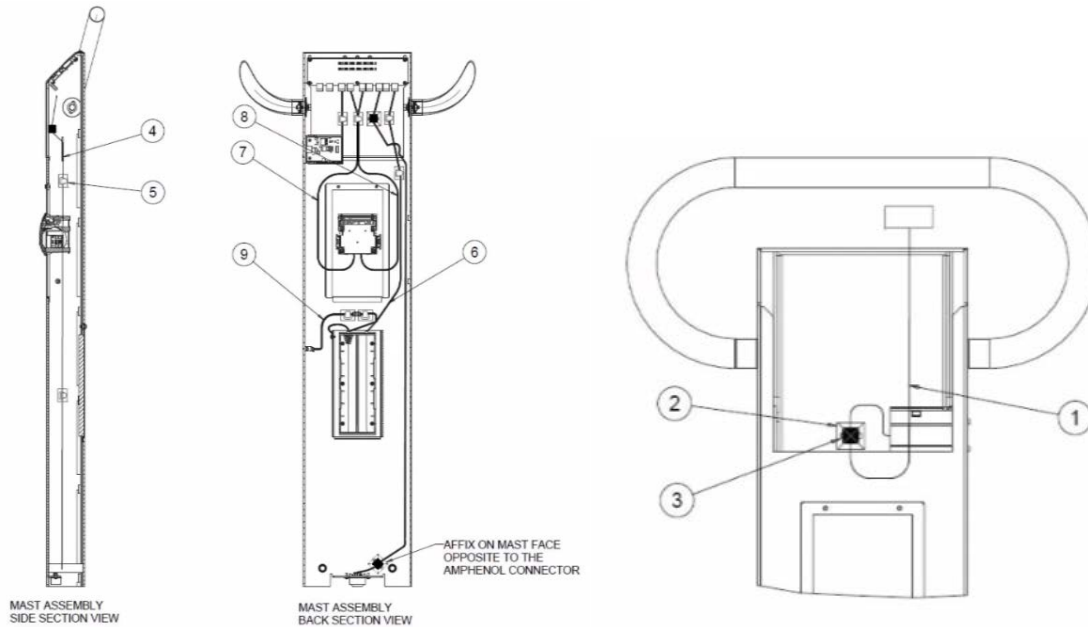
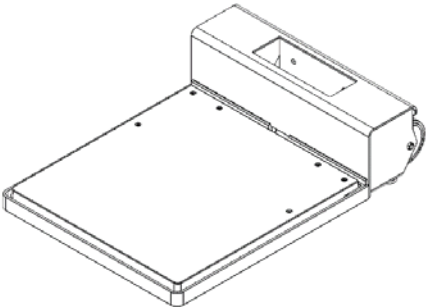


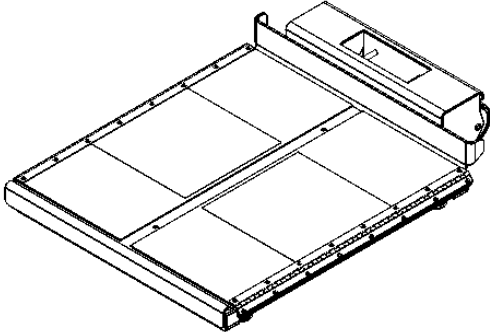
Table 7 Mast Wiring Diagram

Unique Identifier	Welch Allyn Part Number	Qty	Welch Allyn Part Number Description
1	412430	1	HARNESS, USB INTERFACE, SCALE-T
2	715822	3	CABLE TIE HOLDER WITH ADHESIVE
3	113P464	3	CABLE TIE, 6 INCH
4	726603	1	HARNESS INTERIOR MAST COMMON SCALE-T
5	727162	8	ADHESIVE BACKED LATCHING WIRE CLIP
6	412431	1	HARNESS BATT HOLDER W/GRD SCALE-T
7	412467	1	HARNESS DATA DISPLAY PCB TO PRINTER
8	412468	1	HARNESS POWER DISPLAY PCB TO PRINTER
9	412432	1	HARNESS POWER JACK DC 2.5MM SCALE-T

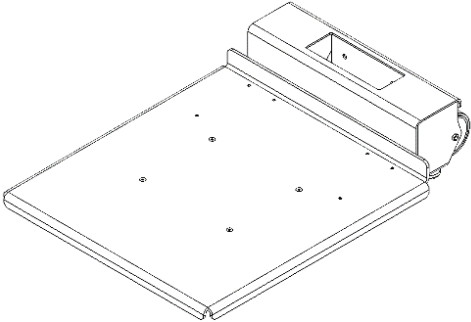
Base Disassembly overview



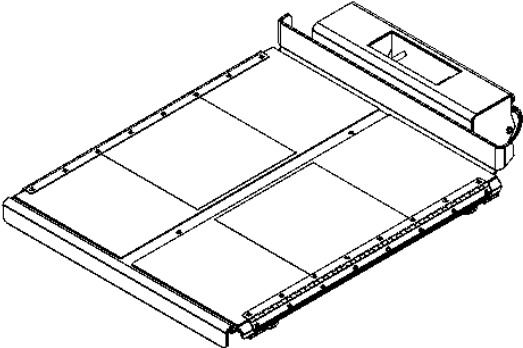
5002 Base



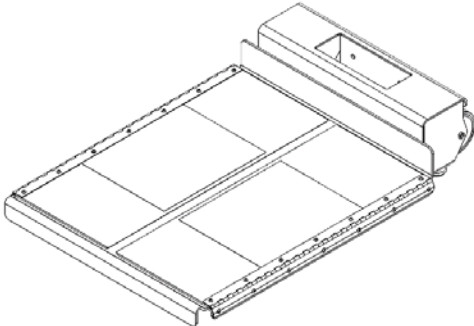
6702 Base



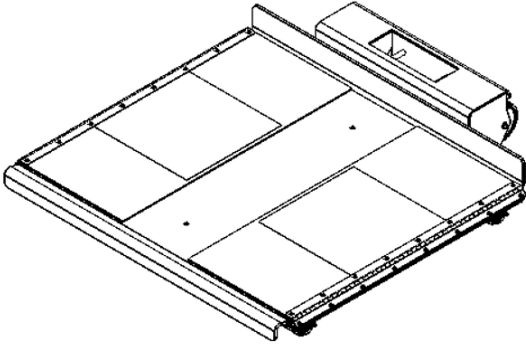
5702 Base



6702W Base



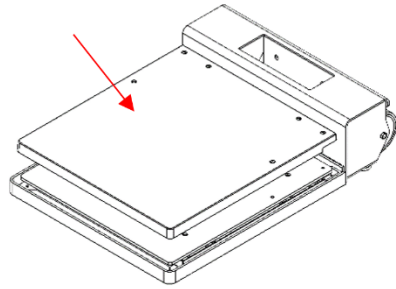
6002 Base



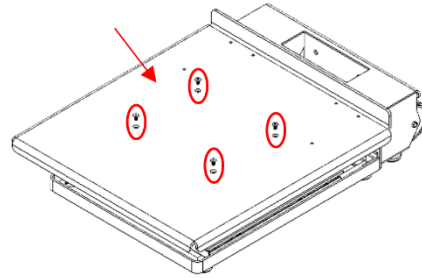
6702SP Base

5702/5002/6002 Base Disassembly

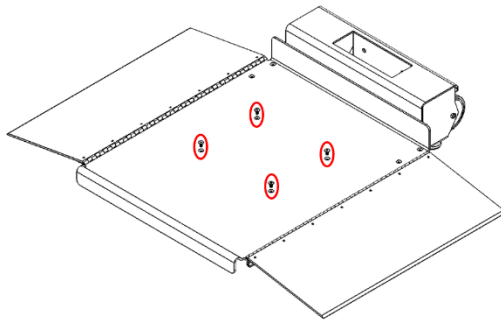
1. Remove GPR Plate cover or Platform Mounting screws (4) and Platform.



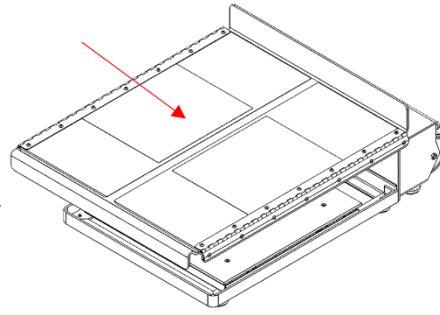
5002 Cover



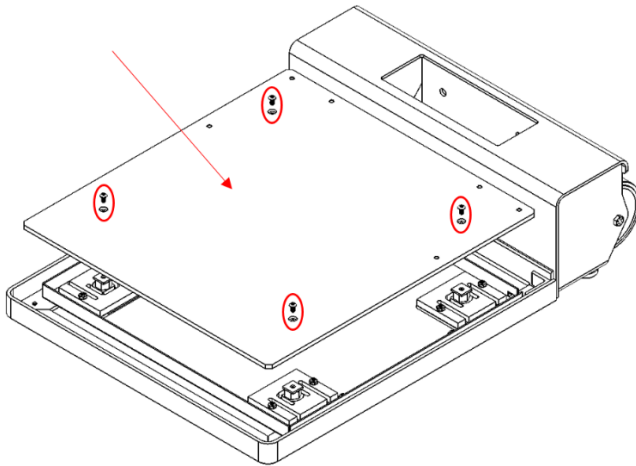
5702 Platform



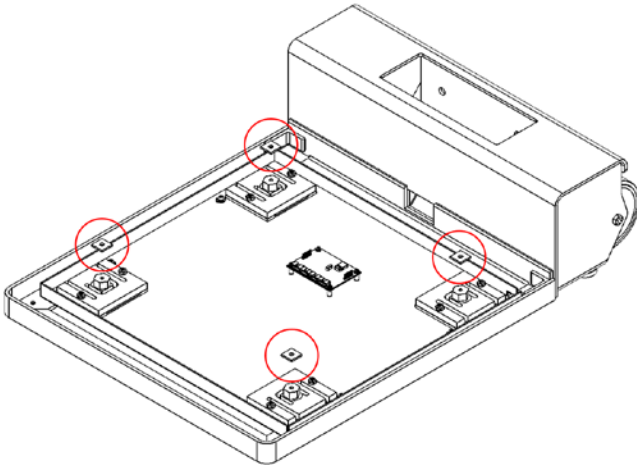
6002 Platform



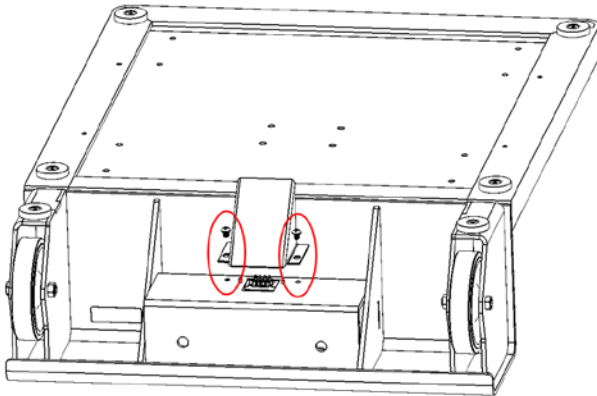
2. Remove GPR top plate mounting screws (4) and GPR top plate.



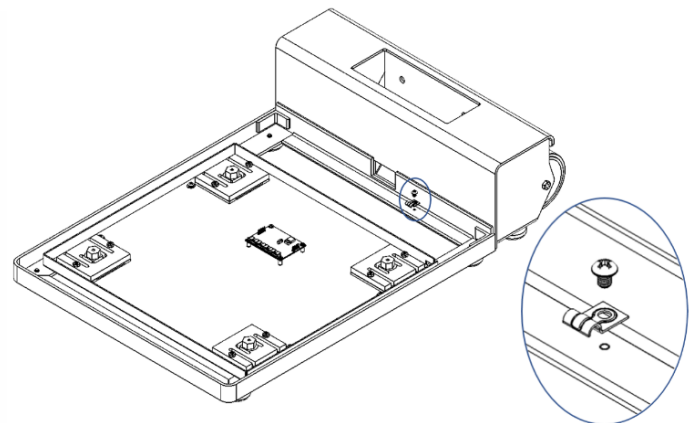
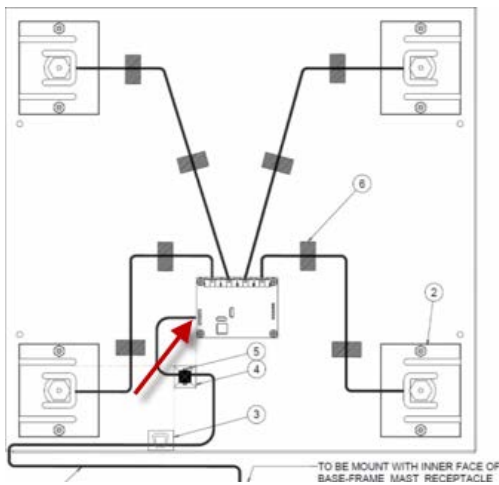
3. Remove blue spacers (4).



4. Carefully flip over the base to remove wire cover screws (2) and wire cover.

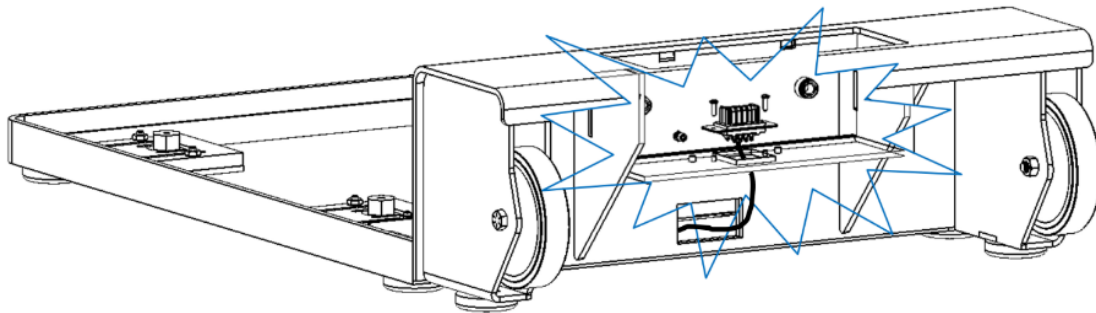
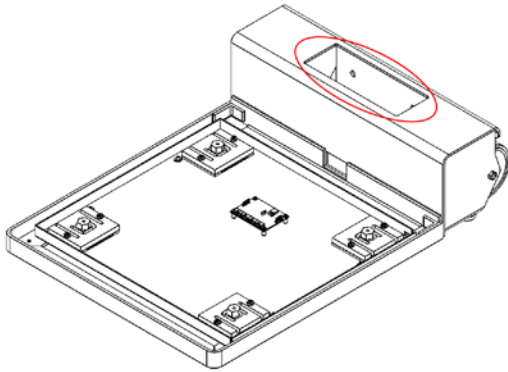


5. Carefully flip the base over to unplug the base A/D cable from the measurement board and release the cable clips securing it to the pan.
- a. NOTE: For 5702, 6002, and 6702 models, there is an additional cable clip on the base that must be removed as well.

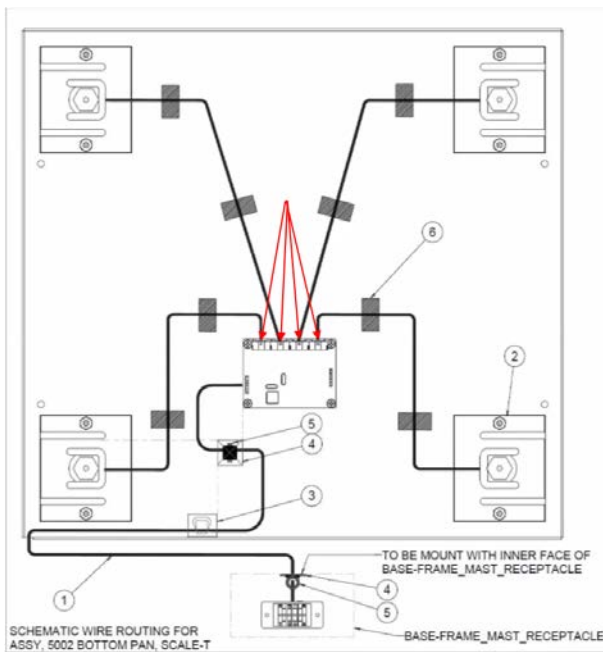


5702, 6002, 6702 Cable Clip

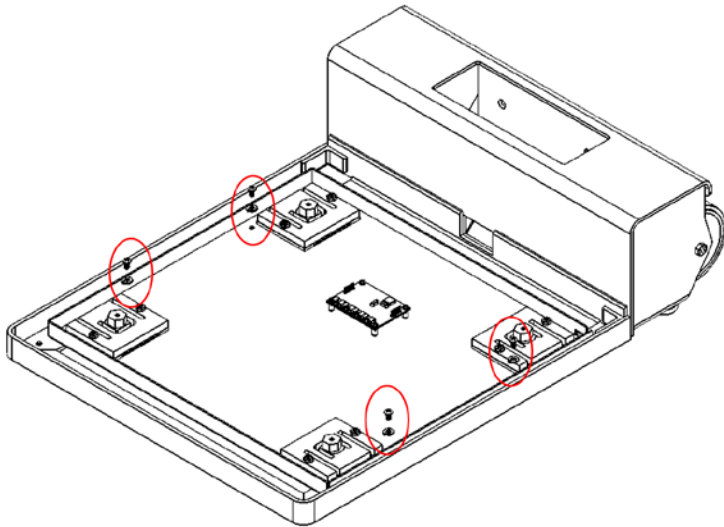
- Remove wiring harness and screws (2) by cutting the cable tie while feeding the wire through the back and pulling the wire out the top to avoid damaging the harness.



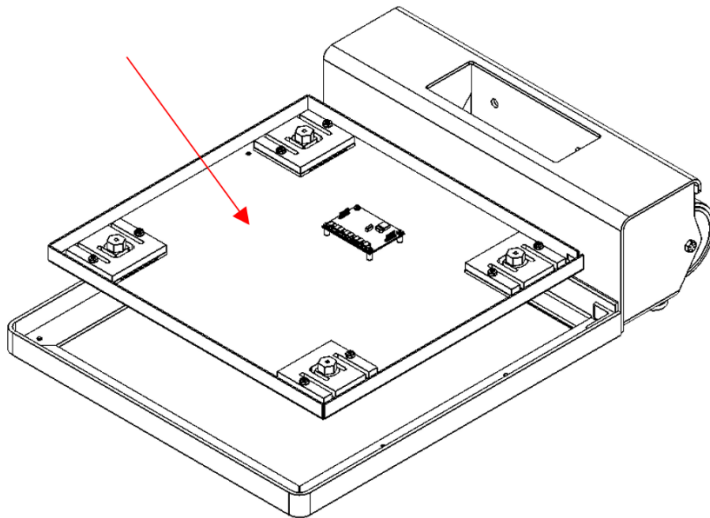
- Unplug the loadcell cabling from the main board and release the cables from the tape or cable management clips.



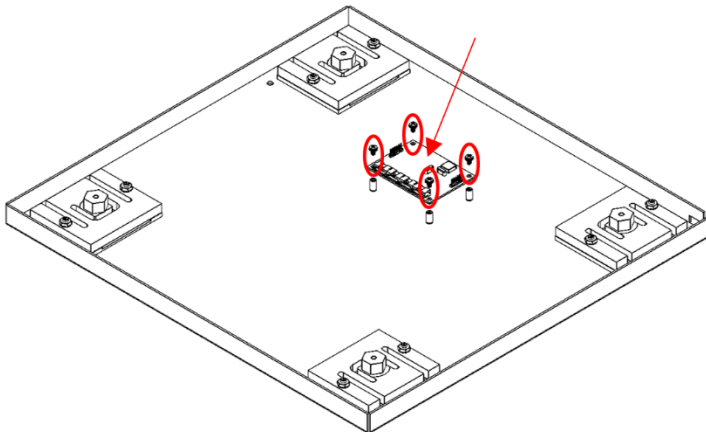
8. Remove GPR assembly mounting screws (4) and washers (4).



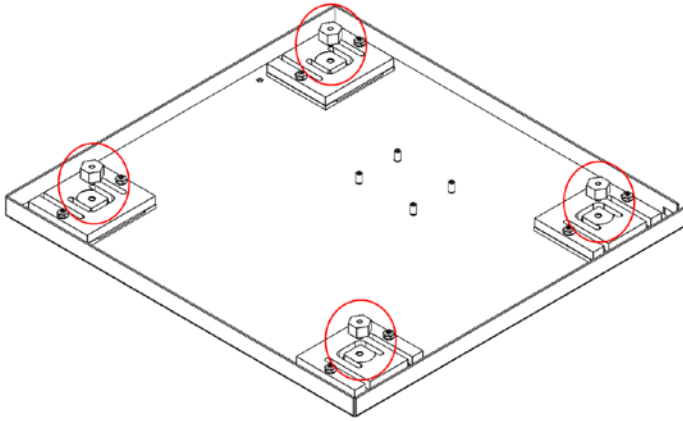
9. Remove GPR assembly.



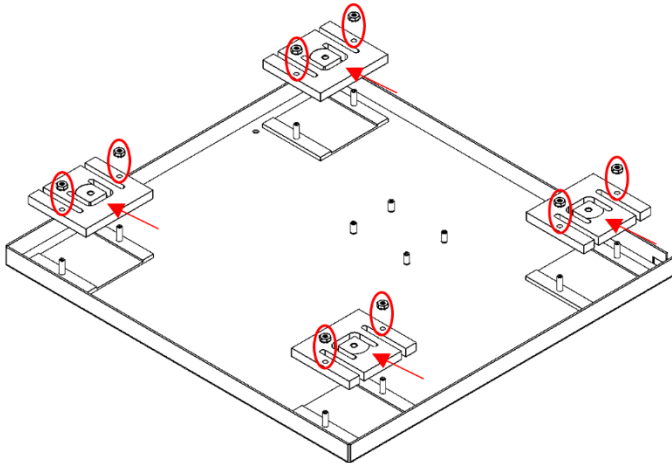
10. Remove PCBA screws (4) and board. **CAUTION:** Ensure ESD protection.



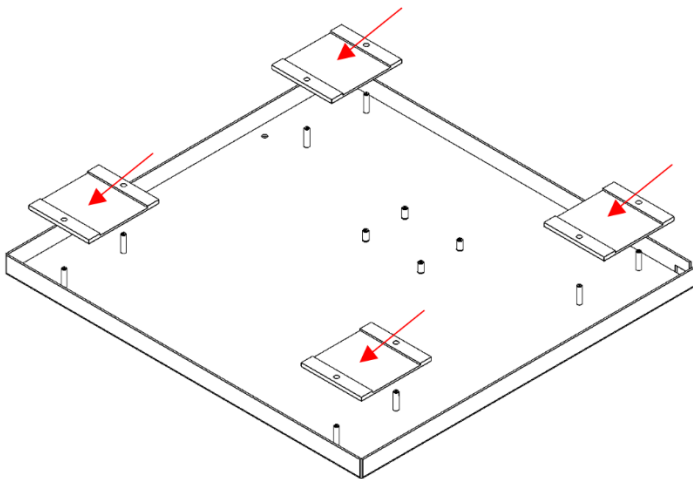
11. Remove load mounts (4).



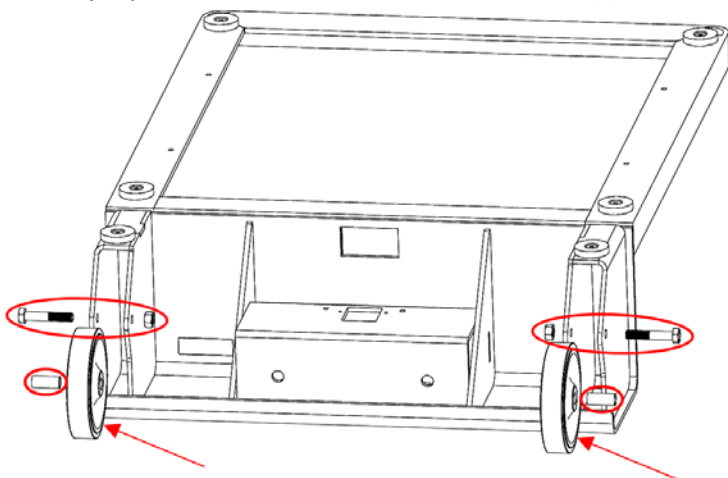
12. Remove load cell nuts (8) and load cells (4).



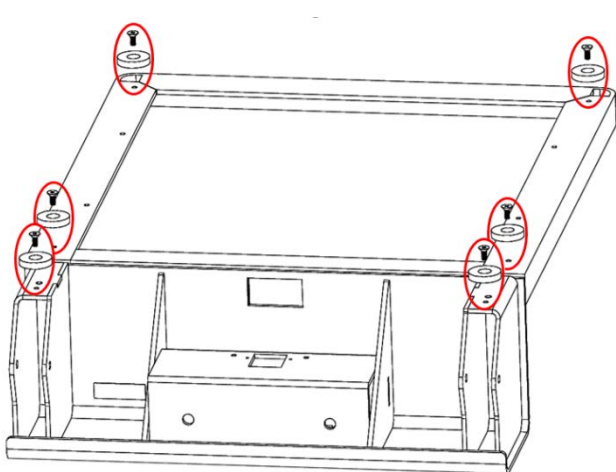
13. Remove overload protection plates (6).



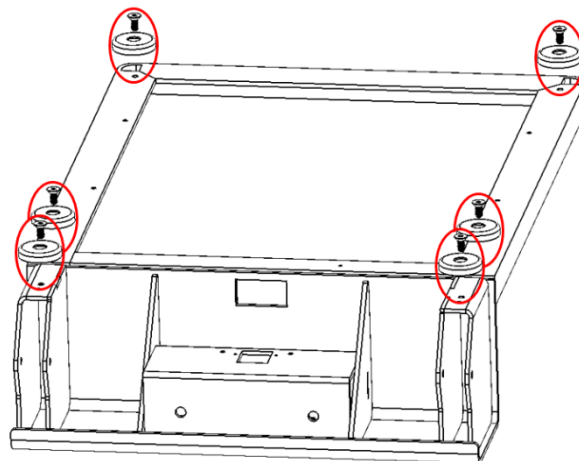
14. Carefully flip over the base to remove wheel nuts (2), wheel bolts (2), wheels (2) and wheel bushings (2).



15. Remove feet screws (6) and nylon feet (6).



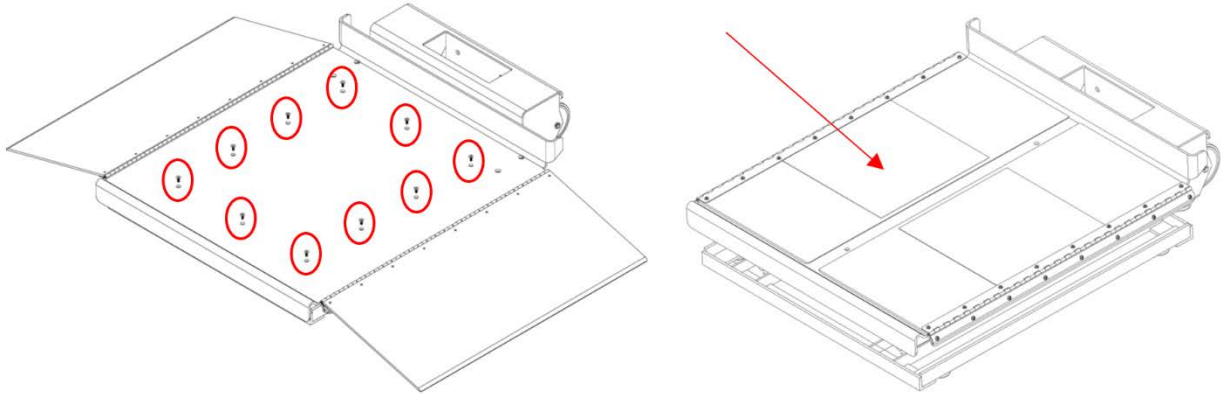
5002 Model Feet



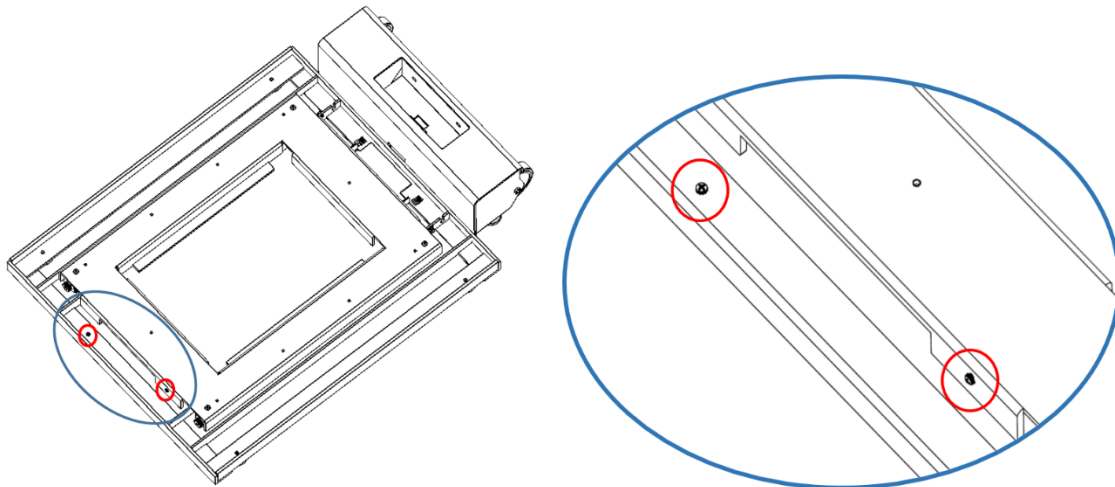
5702, 6002, 6702 Model Feet

6702/6702W/6702SP Base Disassembly

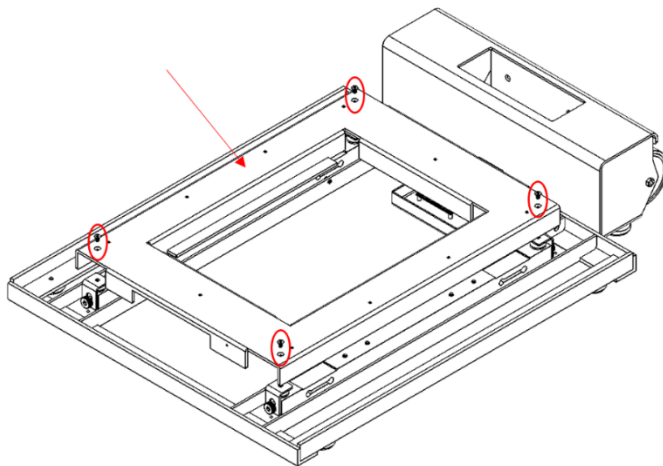
1. Remove the platform mounting screws (10) and platform.



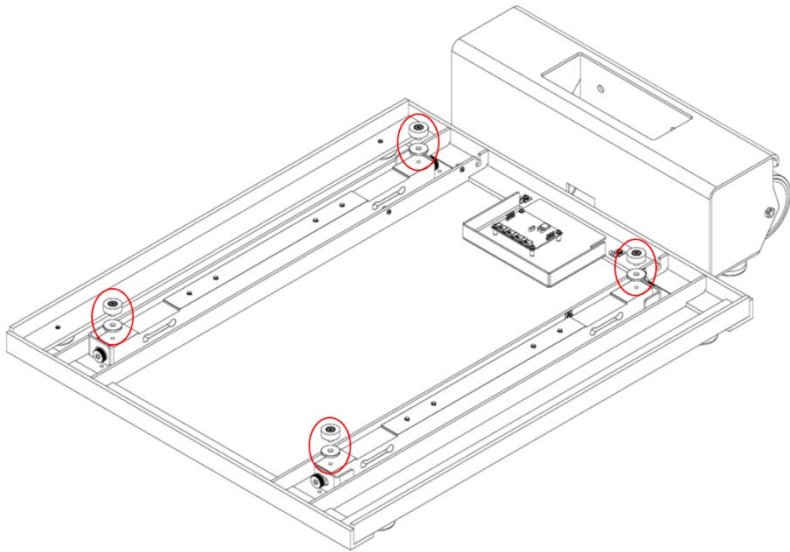
2. Remove grounding wire mounting screws (2).



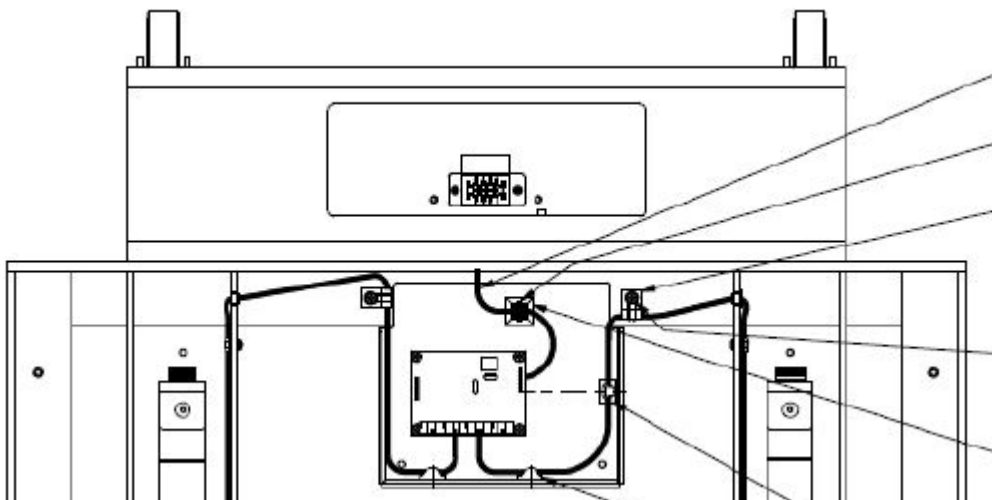
3. Remove the top plate mounting screws (4) and top plate.



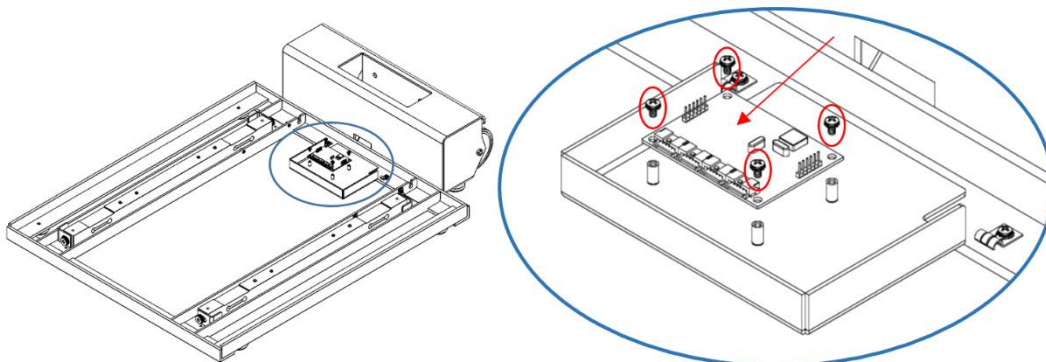
4. Turn overload brackets to the side and remove Load Mounts (4) and Washers (4).



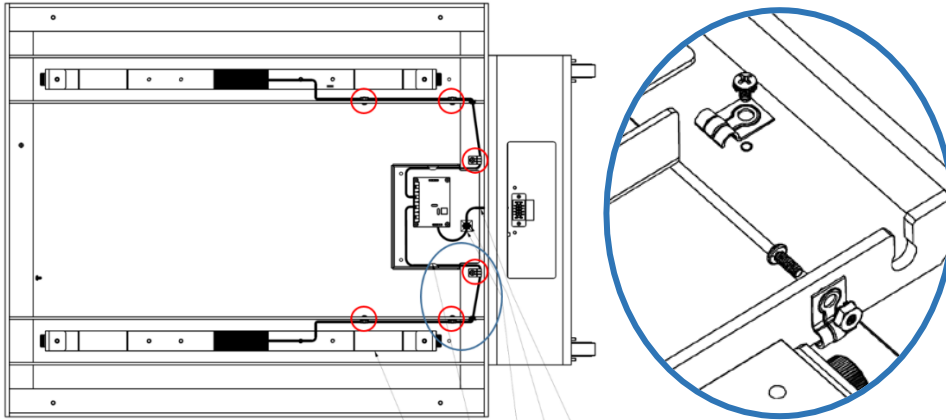
5. Disconnect the loadcells and wiring harness from the PCBA board.



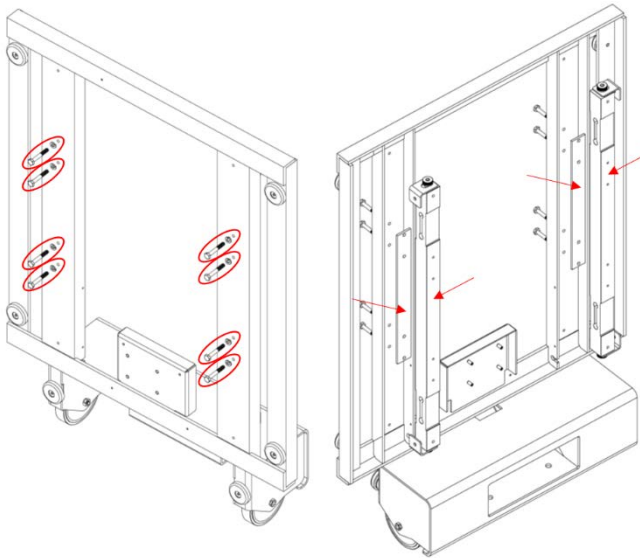
6. Remove the PCBA mounting screws (4) and PCBA board.



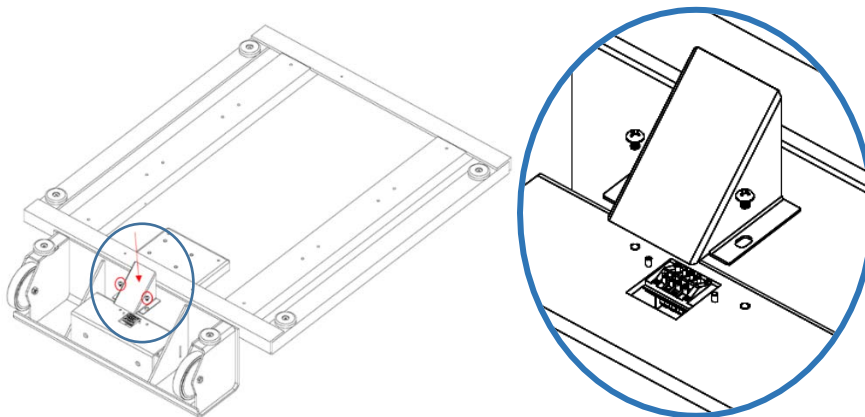
7. Remove wire clip mounting screws (6) and nuts (4) and wire clips (6).



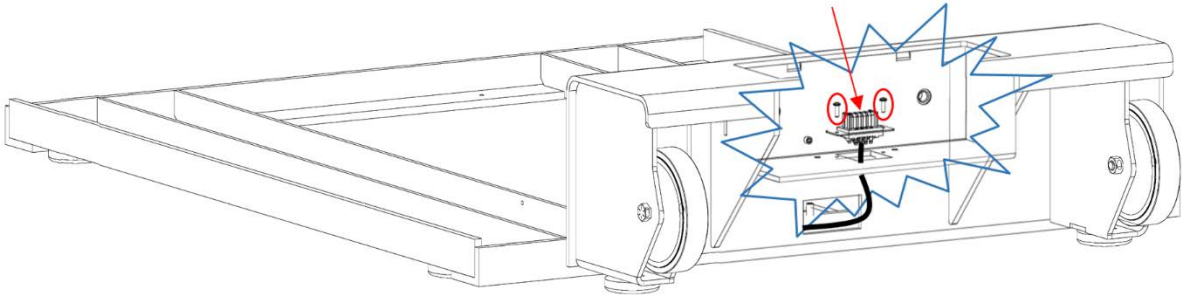
8. Carefully remove the Load Cell Assembly mounting bolts (4) and washers (4) while holding the load cell assembly and spacer in place on one side; then, remove the Load Cell Assembly (1), and Spacer (1). Repeat for the other side.



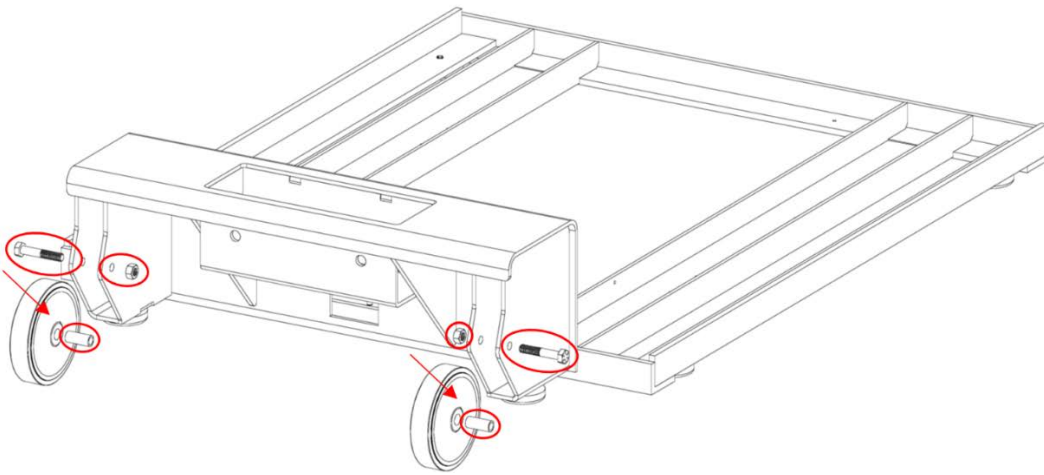
9. Remove Cable Guard mounting screws (2) and carefully remove Cable Guard avoiding damage to the wiring harness.



10. Remove Wire Harness mounting screws (2) and carefully put the wire harness up while feeding it through the lower hole.

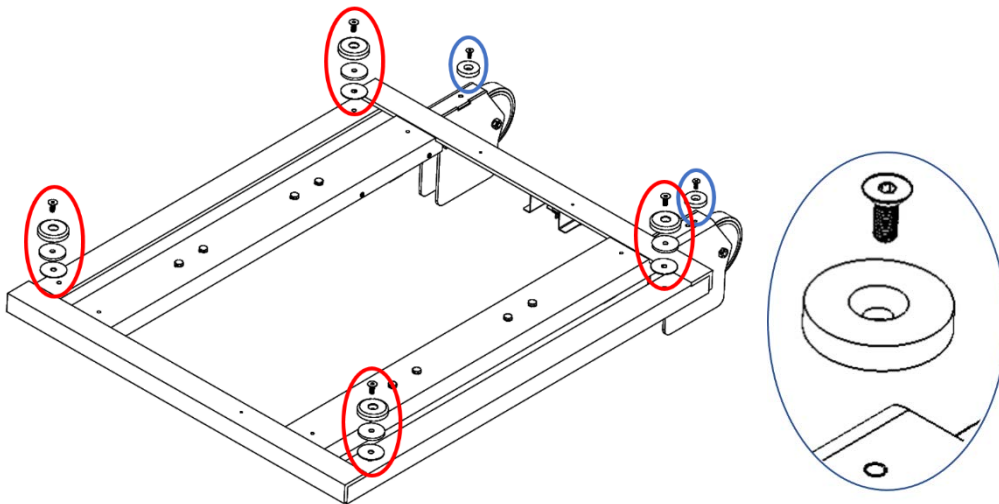


11. Remove the Wheel mounting bolt (2) and nut (2), remove the Wheel (2) and the Wheel bushing (2) one side at a time.



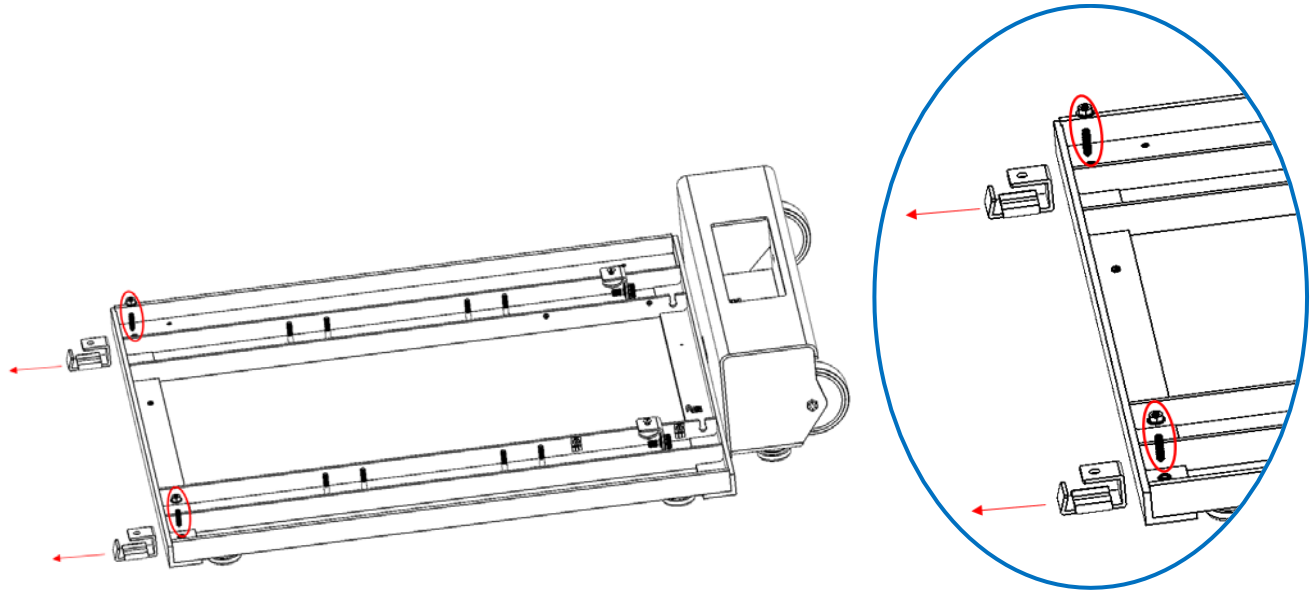
For 6702/6702W:

12. Remove the plastic feet mounting screws (6), thin washer (4), thick washer (4), and plastic feet (6).



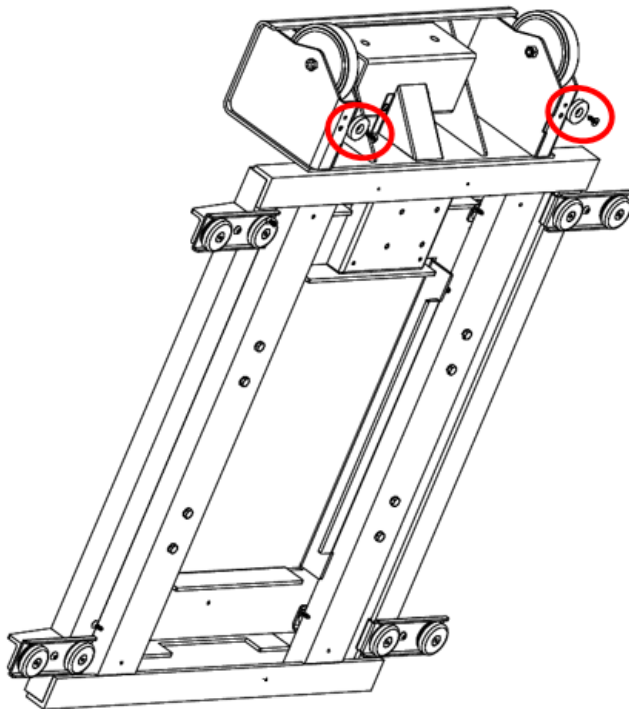
For 6702W only:

13. Remove extender feet lock nut (2) and loosen set screw (2) to remove the Extender feet (2) from the frame.

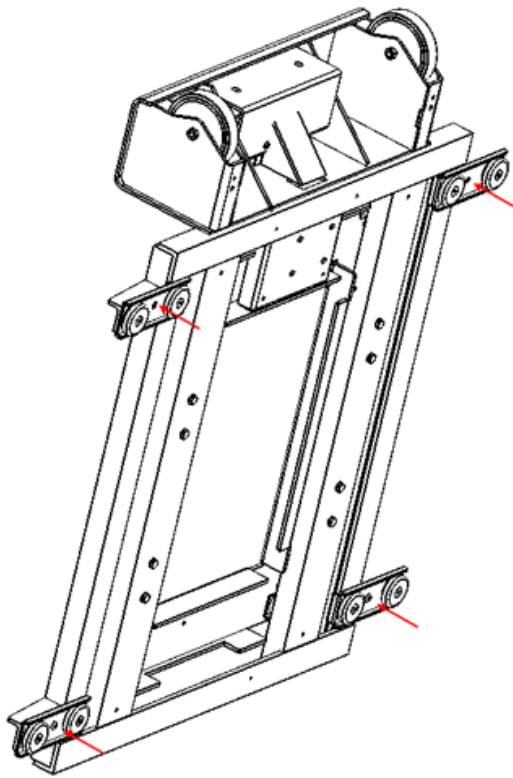


For 6702SP only:

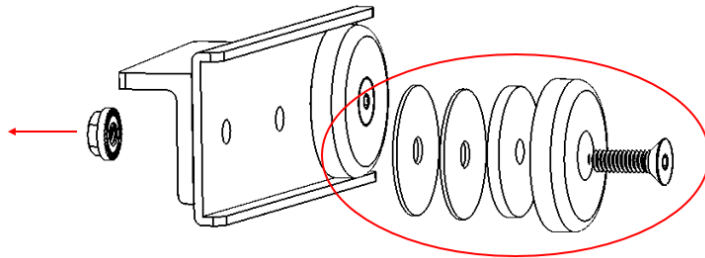
14. Remove the rear plastic feet mounting screws (2) and plastic feet (2).



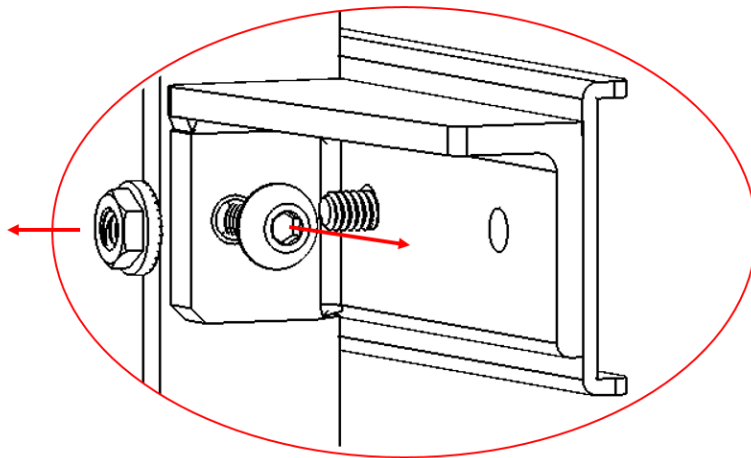
15. Loosen the support angle set screw (4).



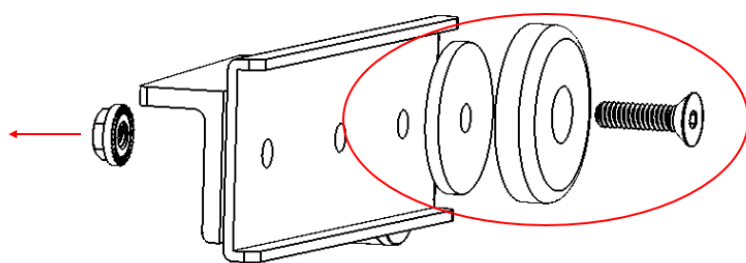
16. Remove the outrigger outer feet mounting bolts (4) and nuts (4), plastic feet (4), thin washers (8), and thick washers (4) one foot at a time.



17. Remove the support angle mounting bolt (1) and nut (1) and support angle (1) of each foot, one at a time.



18. Remove the outrigger inner feet lock nuts from the channel (4), mounting bolts (4), plastic feet (4), thin washers (4), thick washers (4) and J-bracket (4) one foot at a time.



Torque Specification Values

Use this table to determine how much torque to apply to screws by type and location when reassembling the device.

5002 Torque Values (in-lb)

Welch Allyn Part Number	Welch Allyn Part Number Description	Torque spec (in-lb)
130060	SCREW 10-32 X 1/2" FHS FOR DELRON	31.7 ± 1.6
52523	NUT, 5/16-24 HEX NKL	29.5 ± 1.5 ft-lb
106100-4	SCREW, 4-40 x .380 PHP	5.2 ± 0.3
130212	10-32 X 1/4 SCREW - BHMS SOC	15.9 ± 0.8
130237	SCW, 10-32 X 3/8" PHIL RND MS, SS	31.7 ± 7.9
40408	BHSCS 10-32 X 3/8 18-8 STAINLESS STEEL	15.9 ± 0.8

5702, 6002 Torque Values (in-lb)

Welch Allyn Part Number	Welch Allyn Part Number Description	Torque spec (in-lb)
726749	SCW, 1/4-20 X 5/8", HEX, BUTTON HEAD, SS	31.7 ± 7.9
52523	NUT, 5/16-24 HEX NKL	29.5 ± 1.5 ft-lb
106100-4	SCREW, 4-40 x .380 PHP	5.2 ± 0.3
130212	10-32 X 1/4 SCREW - BHMS SOC	15.9 ± 0.8
130237	SCW, 10-32 X 3/8" PHIL RND MS, SS	31.7 ± 7.9
40408	BHSCS 10-32 X 3/8 18-8 STAINLESS STEEL	6 ± 1.5

GPR Assembly Torque Values (in-lb)

Welch Allyn Part Number	Welch Allyn Part Number Description	Torque spec (in-lb)
106137-4	NUT,10-32 EXTLOCK	23.8 ± 1.2
133110	MOUNT METAL LOAD	22.8 ± 1.2
48611	SCW, 6-32 X 1/4" PHMS SEMS, NICKEL	8.7 ± 0.5

6702/6702W/6702SP Torque Values (in-lb)

Welch Allyn Part Number	Welch Allyn Part Number Description	Torque spec (in-lb)
60624	SCREW 1/4-20 X 1" FHSS	31.7 ± 7.9
50614	SCW 5/16-24X1 3/4 HEX CS GRD 8 NICK	354 ± 88.5
106100-4	SCREW 4-40 .380 PAN PHILLIPS	5.2 ± 1.3
130212	10-32 X 1/4 SCREW - BHMS SOC	15.9 ± 3.9
106137-7	NUT 6-32 LOCKING HEX	22.8 ± 5.7
48611	SCW, 6-32 X 1/4" PHMS SEMS, NICKEL	8.7 ± 2.1
46513	SCW 10-32 X 3/8" SOC FH, SS	58.6 ± 14.6
727547	SCREW, 1/4-20 X 1.75 HHCS SS	31.7 ± 1.6
52523	NUT 5/16-24 HEX NKL	354 ± 88.5
48113	SCW, 6-32 X 3/8" PHIL PAN HD NICKEL	22.8 ± 5.7

Base Repair Parts
5002

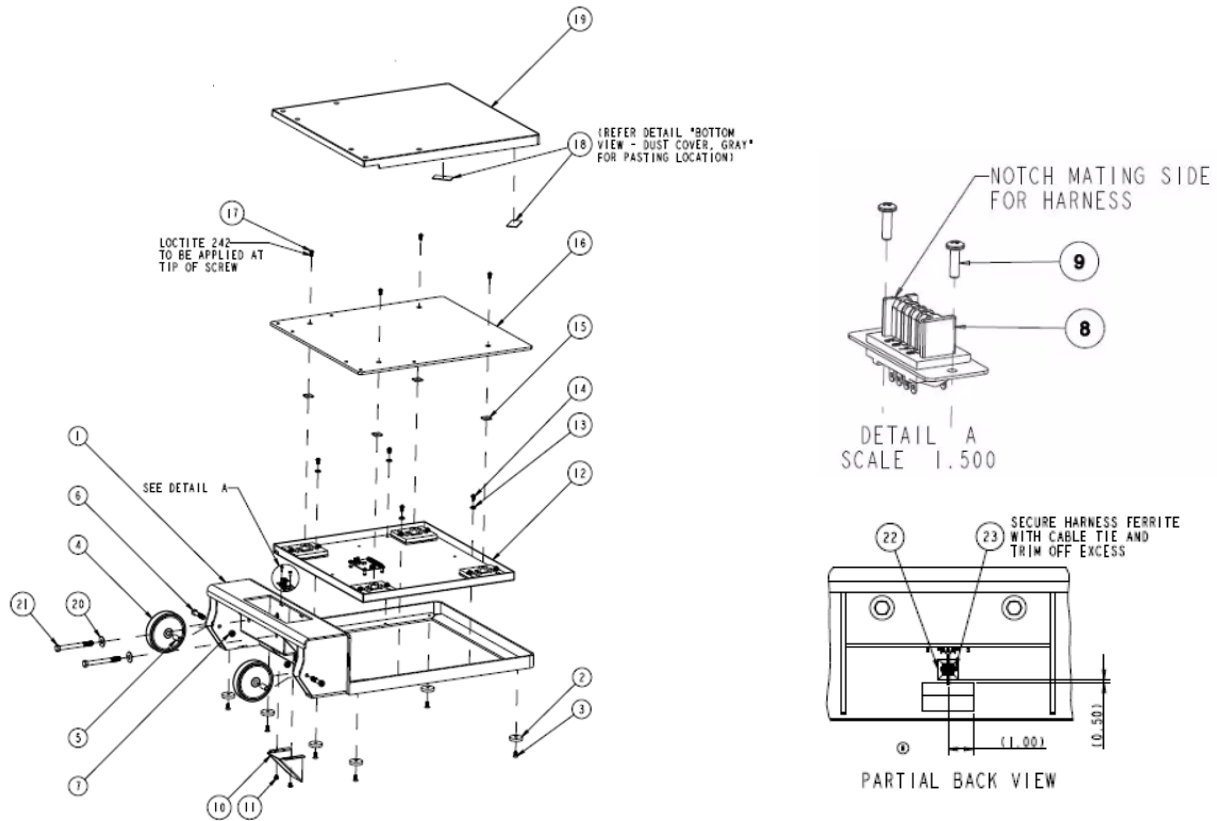


Table 8 5002 Base Assembly

Unique Identifier	Welch Allyn Part Number	Qty	Welch Allyn Part Number Description
1	412662	1	BASE WELDMENT 5002 SCALE-T
2	139041	6	WASHER FLAT NYLON 1 1/4" X 1/4"
3	130060	6	SCREW 10-32X1/2 FHS FOR DELRON
4	50502	2	WHEEL 4"
5	50314	2	BUSHING, WHEEL 5/16" X 1"
6	50614	2	SCW 5-16-24X1 3/4 SEX CS GRD 8, NICK
7	52523	2	NUT, 5/16-24 HEX NKL
8	412469	1	HARNESS INTERIOR BASE LONG SCALE-T
9	106100-4	2	SCREW 4-40 .380 PAN PHILLIPS
10	039325W	1	CABLE GUARD
11	130212	2	10-32 X 1/4 SCREW – MHMS SOC
12			SEE 5002 GPR ASSY EXPLODED Table 10
13	33004	4	WSH 1/4 STEEL SPLIT LOCK
14	130237	4	SCW, 10-32 X 3/8" PHIL RND MS, SS
15	50509	4	1/8 THICK EAR SPACER 3/4X3/4
16	50215	1	PLATE TOP 5002

17	40408	4	BHSCS 10-32 X 3/8 18-8 STAINLESS STEEL
18	725114	2	TAPE 1" DOUBLE SIDED CLOTH
19	620003	1	DUST COVER GRAY
20	132074	2	WASHER, 3/8" ID X 1" ODSS
21	130234	2	BOLT 3/8-16 X 3 3/4" HEX HEAD
22	715822	2	CABLE TIE HOLDER WITH ADHESIVE
23	113P463	2	CABLE TIE MOUNT

5702 & 6002

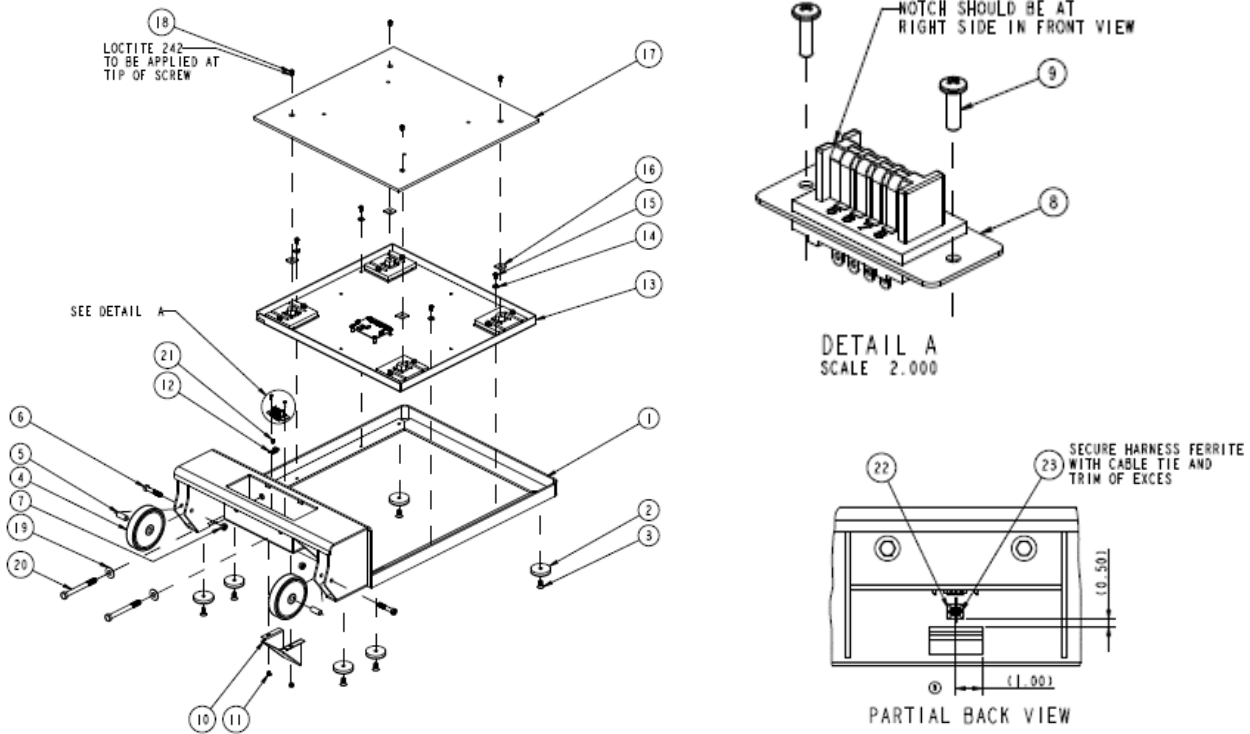


Table 9 5702 & 6002 Base Assembly

Unique Identifier	Welch Allyn Part Number	Qty	Welch Allyn Part Number Description
1	726497	1	BASE WELDMENT 6002/6502 SCALE-T
2	139040	6	FOOT PLASTIC 1 3/4" X 3/8"
3	726749	6	SCW, 1/4-20 X 5/8", HEX, BUTTON HEAD, SS
4	50502	2	WHEEL 4"
5	50314	2	BUSHING, WHEEL 5/16" X 1"
6	50614	2	SCW 5-16-24X1 3/4 SEX CS GRD 8, NICK
7	52523	2	NUT, 5/16-24 HEX NKL
8	412469	1	HARNESS INTERIOR BASE LONG SCALE-T
9	106100-4	2	SCREW 4-40 .380 PAN PHILLIPS

10	039325W	1	CABLE GUARD
11	130212	30	10-32 X 1/4 SCREW – BHMS SOC
12	50542	1	CLIP, METAL CABLE 3/16"
13			SEE GPR ASSY EXPLODED VIEW Table 10
14	33004	4	WSH 1/4 STEEL SPLIT LOCK
15	130237	4	SCW, 10-32 X 3/8" PHIL RND MS, SS
16	50509	4	1/8 THICK EAR SPACER 3/4X3/4
17	030352W	1	PLATE 6002 GPR TOP
18	40408	4	BHSCS 10-32 X 3/8 18-8 STAINLESS STEEL
19	132074	2	WASHER, 3/8" ID X 1" ODSS
20	130234	2	BOLT 3/8-16 X 3 3/4" HEX HEAD
21	48611	1	SCW, 6-32 X 1/4" PHMS SEMS, NICKEL
22	715822	2	CABLE TIE HOLDER WITH ADHESIVE
23	113P464	2	CABLE TIE, 6 INCH

GPR Assembly

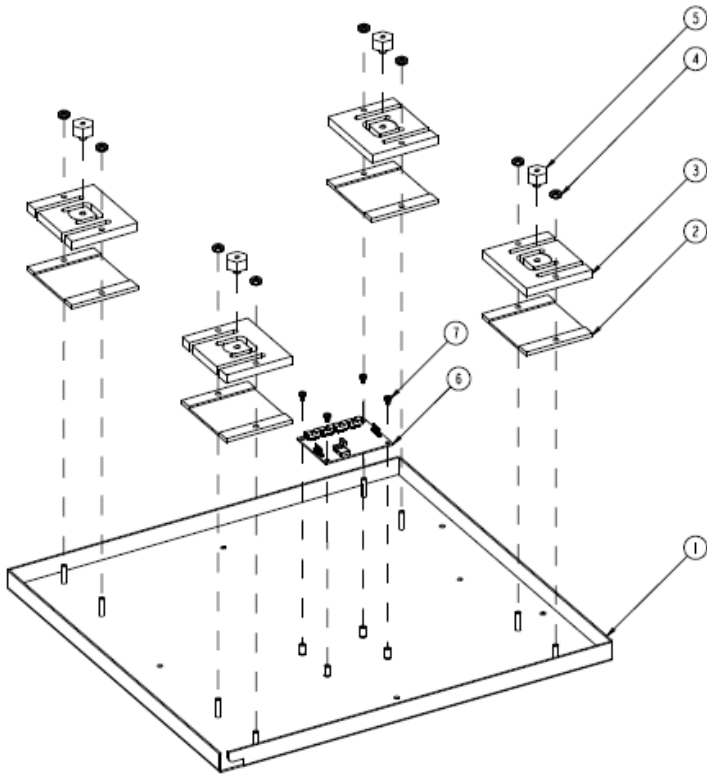


Table 10 GPR Assembly

Unique Identifier	Welch Allyn Part Number	Qty	Welch Allyn Part Number Description
1	726613	1	BOTTOM PAN 5002
2	726614	4	PLATE, OVERLOAD PROTECT, 500LB-DWB
3	726615	4	LOAD CELL 500 LB DWB-SCALE-T
4	106137-4	8	NUT, 10-32 EXTLOCK
5	133110	4	MOUNT METAL LOAD
6	726349	1	PCBA MEASUREMENT BOARD-SCALE-T
7	48611	4	SCW, 6-32 X 1/4" PHMS SEMS, NICKEL

GPR Wiring Harness

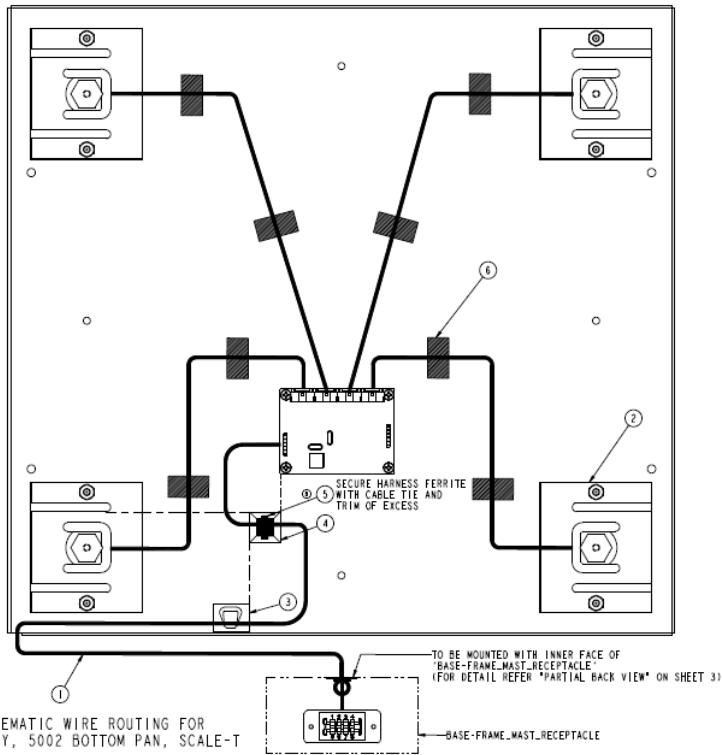


Table 11 Wiring Harness

Unique Identifier	Welch Allyn Part Number	Qty	Welch Allyn Part Number Description
1	412469	1	HARNESS INTERIOR BASE LONG SCALE-T
2	726615	4	LOAD CELL 500 LB DWB SCALE-T
3	727162	1	ADHESIVE BACKED LATCHING WIRE CLIP
4	715822	2	CABLE TIE HOLDER WITH ADHESIVE
5	113P464	2	CABLE TIE, 6 INCH
6	138019	8	TAPE ALUMINUM 3/4X60YD

6702/6702W/6702SP Platform Assembly and Mounting

6702

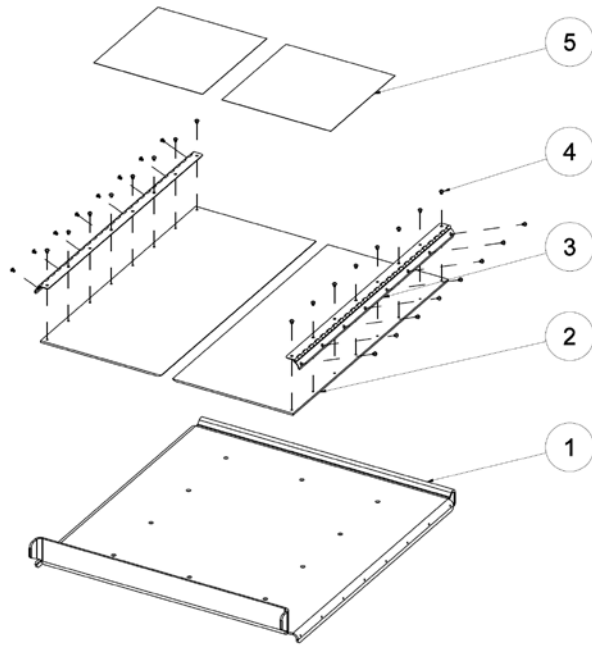


Table 12 6702 Platform Assembly

Unique Identifier	Welch Allyn Part Number	Qty	Welch Allyn Part Number Description
1	039311W	1	PLATFORM, 6702 28" X 31"
2	039312W	2	PLATFORM RAMP 29" 6702
3	029073W	2	PLATFORM HINGE 29" 6702
4	130212	32	10-32 X 1/4 SCREW - BHMS SOC
5	531012	2	SHUR-STEP MAT·12" X 11 3/4"

6702W

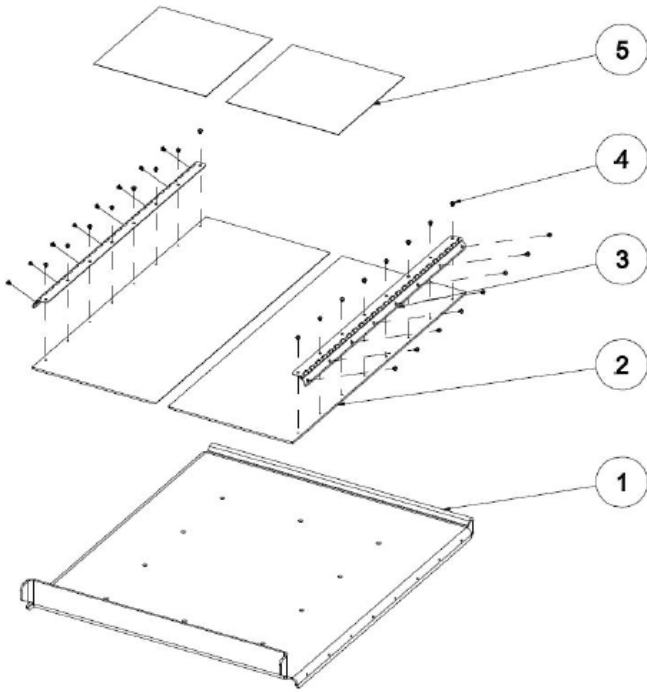


Table 8 6702W Platform Assembly

Unique Identifier	Welch Allyn Part Number	Qty	Welch Allyn Part Number Description
1	039343W	1	PLATFORM, EXT LENGTH 6702
2	039344W	2	RAMP, EXT LENGTH 6702
3	029073W	2	PLATFORM HINGE 29" 6702
4	130212	32	10-32 X 1/4 SCREW - BHMS SOC
5	531012	2	SHUR-STEP MAT·12" X 11 3/4"

6702SP

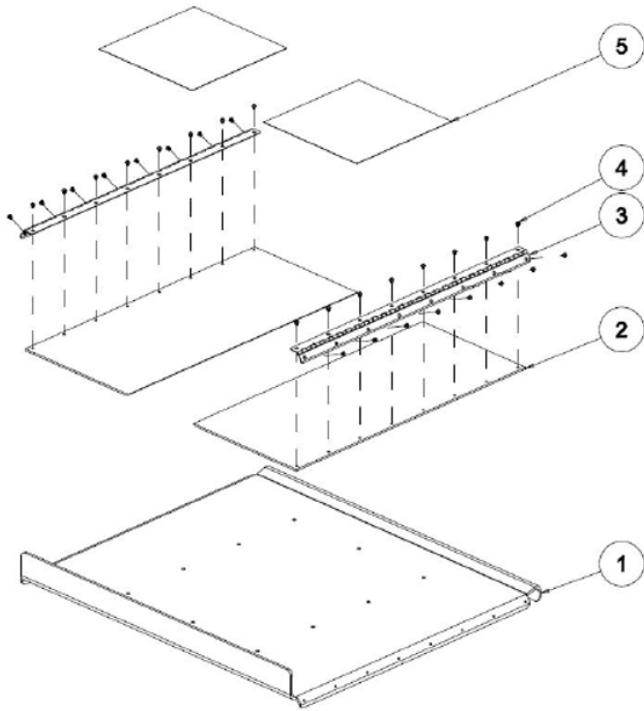


Table 94 6702W Platform Assembly

Unique Identifier	Welch Allyn Part Number	Qty	Welch Allyn Part Number Description
1	039319W	1	DECK, OVERSIZE 30" X 35"
2	039312W	2	PLATFORM RAMP 29" 6702
3	029073W	2	PLATFORM HINGE 29" 6702
4	130212	32	10-32 X 1/4 SCREW - BHMS SOC
5	531012	2	SHUR-STEP MAT·12" X 11 3/4"

6702 Base Assembly

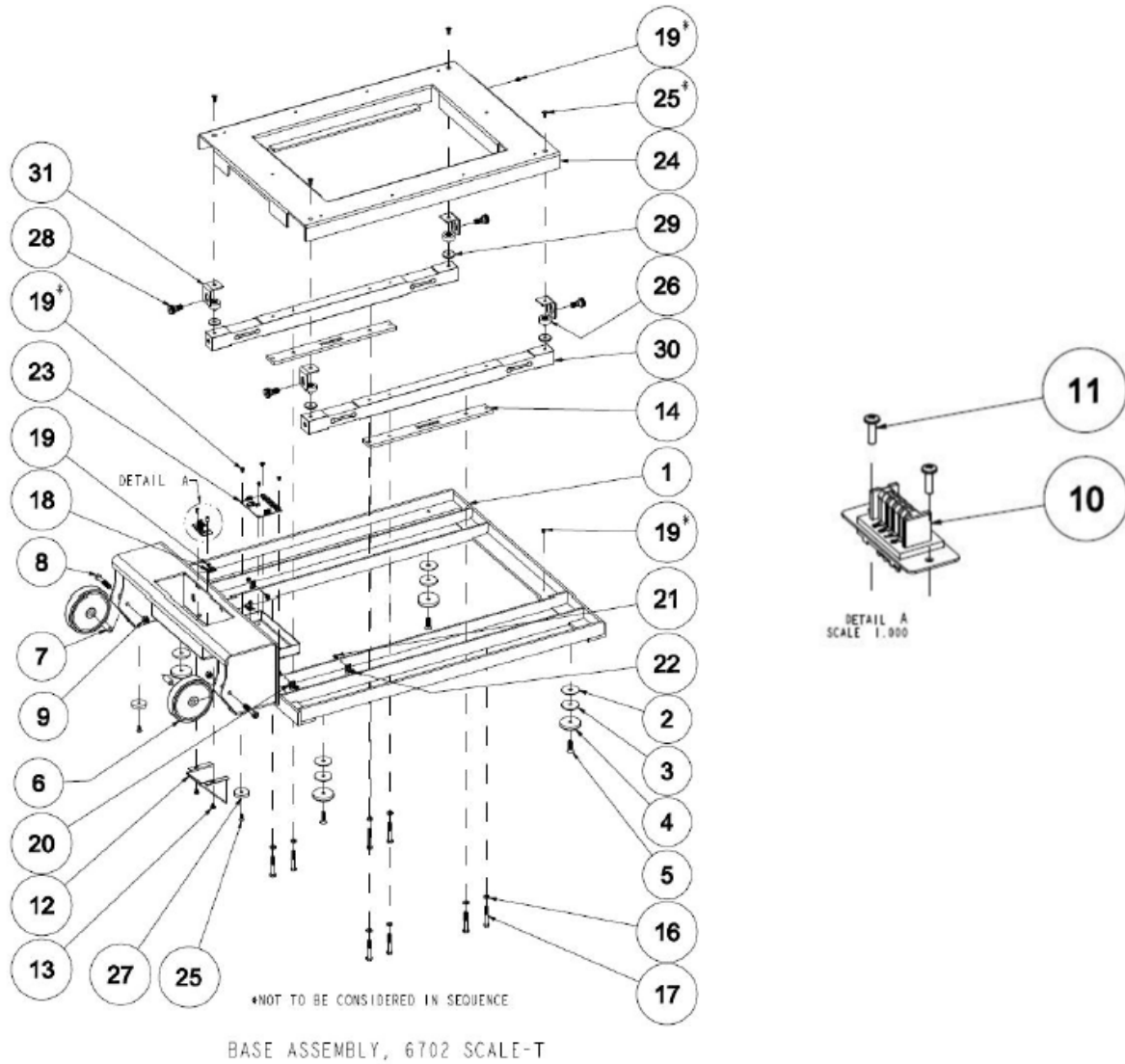


Table 15 6702 Base Assembly

Unique Identifier	Welch Allyn Part Number	Qty	Welch Allyn Part Number Description
1	726498	1	WELDMENT, BASE, 6702, SCALE-T
2	CS-206	4	WASHER, FENDER .28" X 1.5"
3	726340	4	WSHR,0.281"ID,1.5" OD,0.11"- 0.14THK
4	139040	4	FOOT PLASTIC I 3/4" X 3/8"
5	60624	4	SCREW 1/4-20 X 1" FHSS
6	50502	2	WHEEL 4"
7	50314	2	BUSHING, WHEEL 5/16" X 1"
8	50614	2	SCW 5/16-24X1 3/4 HEX CS GRD 8 NICK
9	52523	2	NUT 5/16-24 HEX NKL

10	412601	1	HARNESS INTERIOR BASE SHORT SCALE-T
11	106100-4	2	SCREW 4-40 .380 PAN PHILLIPS
12	039325W	1	CABLE GUARD
13	130212	2	10-32 X 1/4 SCREW - BHMS SOC
14	727292	2	LOAD CELL SPACER 4HOLE SCALE-T
15			SEE LOADCELL ASSEMBLY EXPLODED VIEW TABLE 18
16	727578	8	1/4 SPLIT RING LOCKWASHER, SS
17	727547	8	SCREW, 1/4-20 X 1.75 HHCS SS
18	50542	6	CLIP, METAL CABLE 3/16"
19	48611	8	SCW, 6-32 X 1/4" PHMS SEMS, NICKEL
20	N/A	N/A	Not used. Replaced with 50542.
21	48113	4	SCW, 6-32 X 3/8" PHIL PAN HD NICKEL
22	106137-7	4	NUT 6-32 LOCKING HEX
23	726349	1	PCBA, MEASUREMENT BOARD, SCALE-T
24	727307	1	BRACKET, LOADCELL, 6702, SCALE-T
25	130060	6	SCREW 10-32 X 1/2" FHS FOR DELRON
26	133086	4	LOADMOUNT 3/8" X 1" WITH 3/8"
27	139041	2	WASHER FLAT NYLON 1 1/4" X 1/4"
28	726341	4	SHOULDER SCREW 1/2" OD X 1/4" L
29	726348	4	WASHER, 1/4" ID X 1" OD X 0.060"-0.090" TH
30	727014	2	LOAD CELL, DEBBW-1000LB, 3S, SCALE-T
31	900001W	4	BRACKET, ISOLATION LIMITER
	727306	1	HARNESS, CONT, GND, SCALE-T

6702W Base Assembly

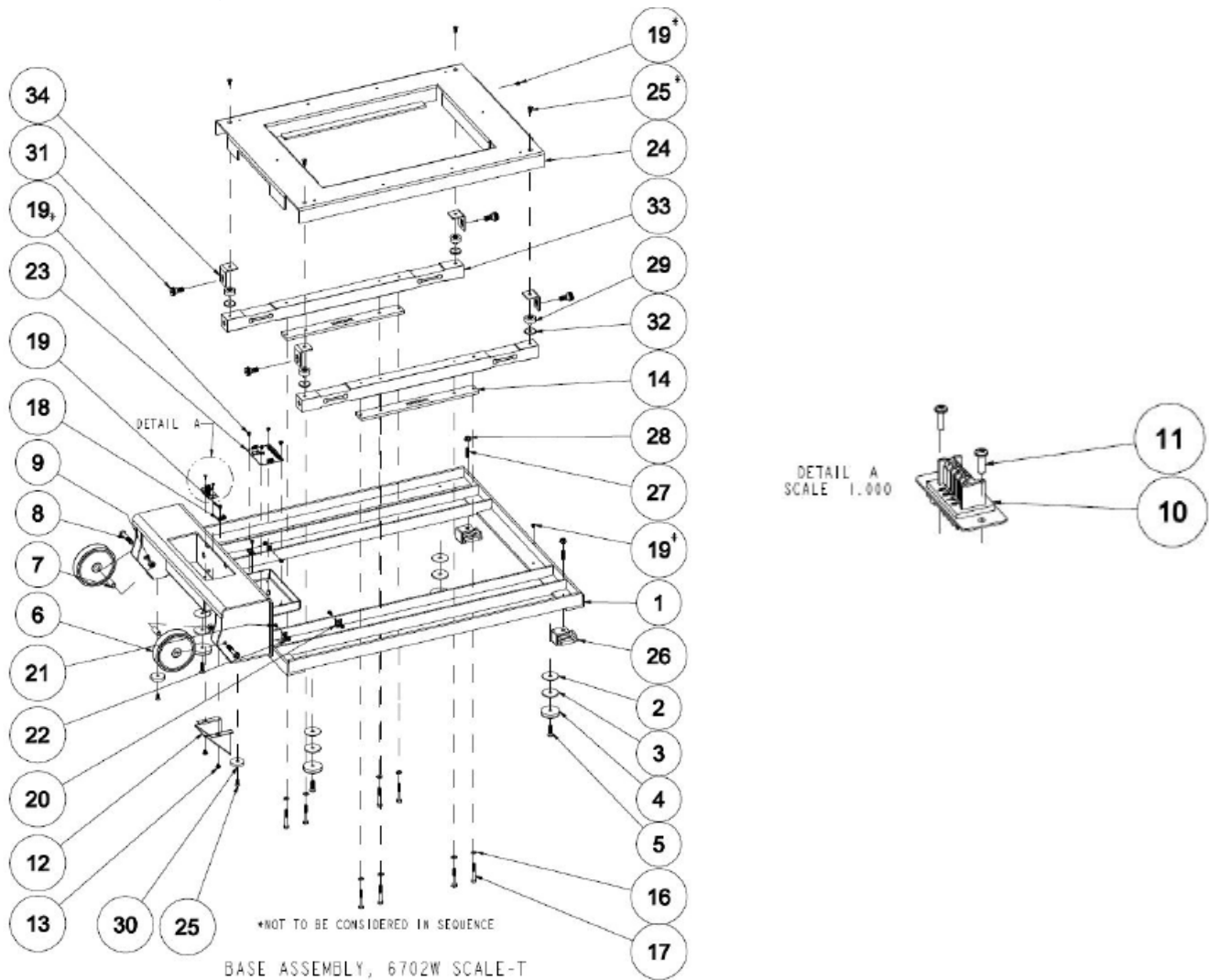


Table 16 6702W Base Assembly

Unique Identifier	Welch Allyn Part Number	Qty	Welch Allyn Part Number Description
1	726498	1	WELDMENT, BASE, 6702, SCALE - T
2	CS-206	6	WASHER, FENDER 0.28" X 1.5"
3	726340	6	WSHR 0.281" ID, 1.5" OD, 0.11"- 0.14 THK
4	139040	6	FOOT PLASTIC I 3/4" X 3/8"
5	60624	6	SCREW 1/4-20 X 1" FHSS
6	50502	2	WHEEL 4"
7	50314	2	BUSHING, WHEEL 5/16" X 1"
8	50614	2	SCW, 5-16-24 X 1 3/4" HEX CS GRD 8, NICK
9	52523	2	NUT, 5/16-24 HEX NKL
10	412601	1	HARNESS, INTERIOR, BASE, SHORT, SCALE-T

11	106100-4	2	SCREW, 4-40 x .380 PHP
12	039325W	1	CABLE GUARD
13	130212	2	10-32 X 1/4 SCREW - BHMS SOC
14	727292	2	LOAD CELL SPACER 4HOLE SCALE-T
		2	SEE LOADCELL ASSEMBLY EXPLODED VIEW TABLE 18
16	727578	8	1/4 SPLIT RING LOCKWASHER, SS
17	727547	8	SCREW, 1/4-20 X 1.75 HHCS SS
18	50542	6	CLIP, METAL CABLE 3/16"
19	48611	8	SCW, 6-32 X 1/4" PHMS SEMS, NICKEL
20	N/A	N/A	Not used. Replaced with 50542.
21	48113	4	SCW, 6-32 X 3/8" PHIL PAN HD NICKEL
22	106137-7	4	NUT 6-32 LOCKING HEX
23	726349	1	PCBA, MEASUREMENT BOARD, SCALE-T
24	727307	1	BRACKET, LOADCELL, 6702, SCALE-T
25	130060	4	SCREW 10-32 X 1/2" FHS FOR DELRON
26	727711	2	CLIP, 6702W BASE EXTENDER
27	412873	2	1/4-20 X 1 IN SET SCREW
28	726461	2	NUT, 1/4-20 SER FLNG, GR5 ZINC SCALE-T
29	133086	4	LOADMOUNT 3/8" X 1" WITH 3/8"
30	139041	2	WASHER FLAT NYLON 1 1/4" X 1/4"
31	726341	4	SHOULDER SCREW 1/2" OD X 1/4" L
32	726348	4	WASHER, 1/4" ID X 1" OD X 0.060"-0.090" TH
33	727014	2	LOAD CELL, DEBBW-1000LB, 3S, SCALE-T
34	900001W	4	BRACKET, ISOLATION LIMITER
	727306	1	HARNESS, CONT, GND, SCALE-T

6702SP Base Assembly

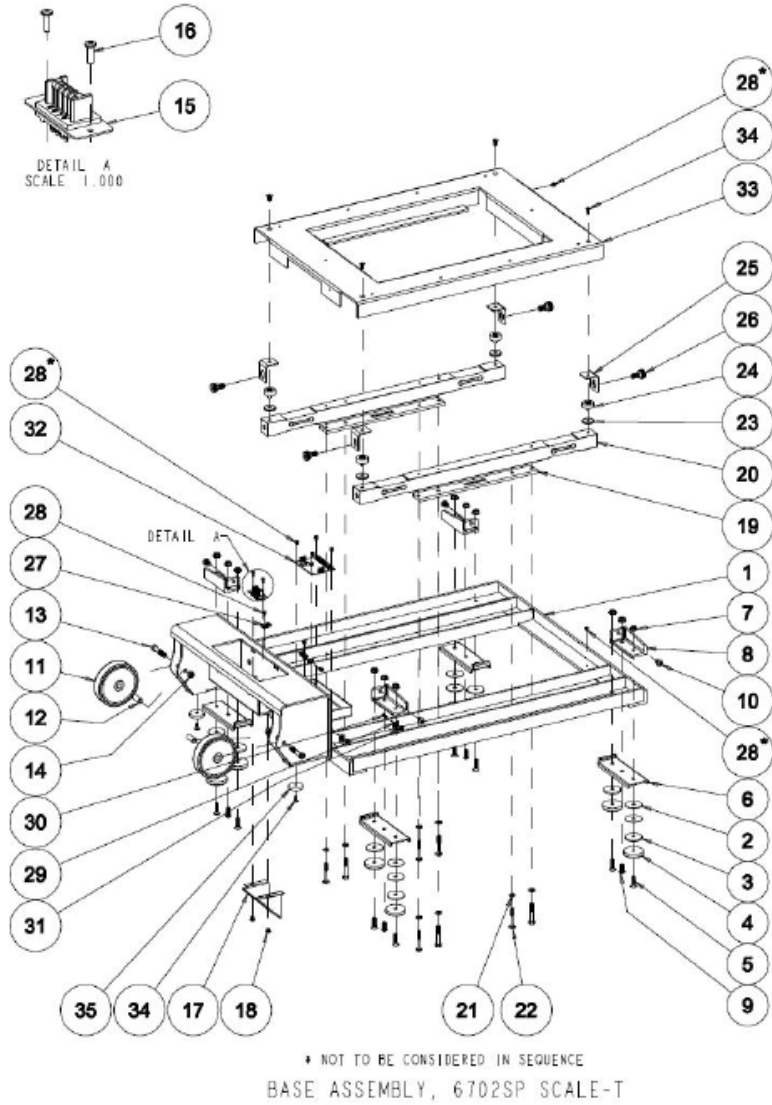


Table 17 6702SP Base Assembly

Unique Identifier	Welch Allyn Part Number	Qty	Welch Allyn Part Number Description
1	726498	1	WELDMENT, BASE, 6702, SCALE-T
2	CS-206	6	WASHER, FENDER .28" X 1.5"
3	726340	6	WSHR,0.281"ID,1.5" OD,0.11"- 0.14THK
4	139040	10	FOOT PLASTIC I 3/4" X 3/8"
5	60624	10	SCREW 1/4-20 X 1" FHSS
6	726253	4	BRACKET, 6702-SP STABILIZER SCALE – T
7	60627	12	NUT, ¼ - 20 X 1" FHSS
8	700000W	4	L – ANGLE SUPPORT ASSY, 6702SP SCALE – T
9	50529	4	¼ - 20X3/4 BUTT HD SOCK SCR

10	726773	4	SCW 5/16 – 18 1/2 ROUDED CAP, VIBRATITE
11	50502	2	WHEEL 4"
12	50314	2	BUSHING, WHEEL 5/16" X 1"
13	50614	2	SCW 5-16-24X1 3/4 HEX CS GRD 8 NICK
14	52523	2	NUT 5/16-24 HEX NKL
15	412601	1	HARNESS INTERIOR BASE SHORT SCALE – T
16	106100-4	2	SCREW 4 – 40 X .380 PAN PHILLIPS
17	039325W	1	CABLE GUARD
18	130212	2	10-32 X ¼ SCREW – BHMS SOC
19	727292	2	LOAD CELL SPACER 4HOLE SCALE – T
20		2	SEE LOADCELL ASSEMBLY EXPLODED VIEW TABLE 18
21	727578	8	¼ SPLIT RING LOCKWASHER SS
22	727547	8	SCREW, ¼ - 20 X 1.75 HHCS SS
23	726348	4	WASHER, 1/4" ID X 1" OD X 0.060"-0.090" TH
24	133086	4	LOADMOUNT 3/8" X 1" WITH 3/8"
25	900001W	4	BRACKET, ISOLATION LIMITER
26	726341	4	SHOULDER SCREW 1/2" OD X 1/4" L
27	50542	6	CLIP, METAL CABLE 3/16"
28	48611	8	SCW, 6-32 X 1/4" PHMS SEMS, NICKEL
29	N/A	N/A	Not used. Replaced with 50542.
30	48113	4	SCW, 6-32 X 3/8" PHIL PAN HD NICKEL
31	106137-7	4	NUT 6-32 LOCKING HEX
32	726349	1	PCBA, MEASUREMENT BOARD, SCALE-T
33	727307	1	BRACKET, LOADCELL, 6702, SCALE-T
34	130060	6	SCREW 10-32 X 1/2" FHS FOR DELRON
35	139041	2	WASHER FLAT NYLON 1 1/4" X 1/4"
	727306	1	HARNESS, CONT, GND, SCALE-T

6702/6702W/6702SP Loadcell Assembly

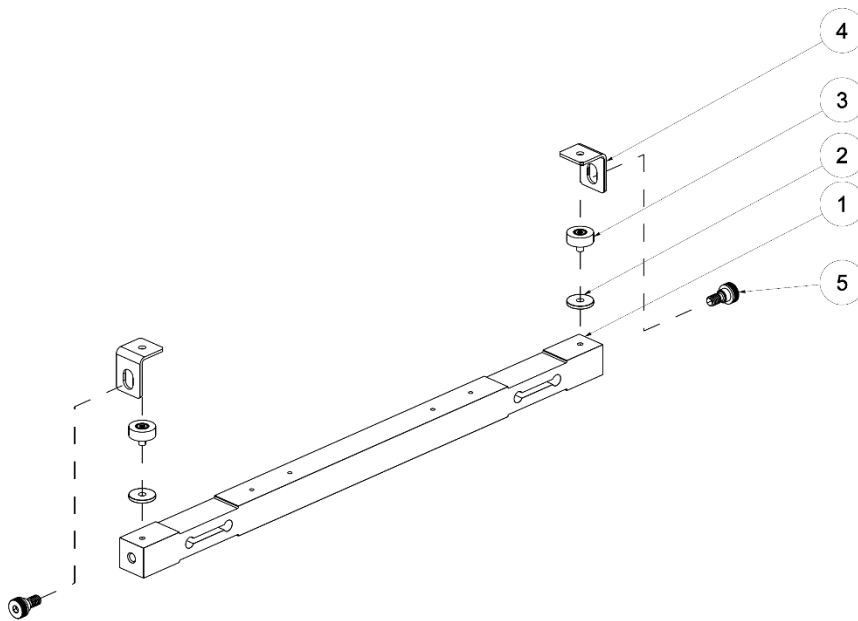


Table 18 6702/6702W/6702SP Loadcell Assembly

Unique Identifier	Welch Allyn Part Number	Qty	Welch Allyn Part Number Description
1	727014	1	LOAD CELL DEBB-1000LB 3S SCALE-T
2	726348	2	WASHER,1/4"IDX1"ODX0.060"-0.090"TH
3	133086	2	LOADMOUNT 3/8" X 1" WITH 3/8"
4	900001W	2	BRACKET, ISOLATION LIMITER
5	726341	2	SHOULDER SCREW 1/2" OD X 1/4" L

6702 Wiring Harness

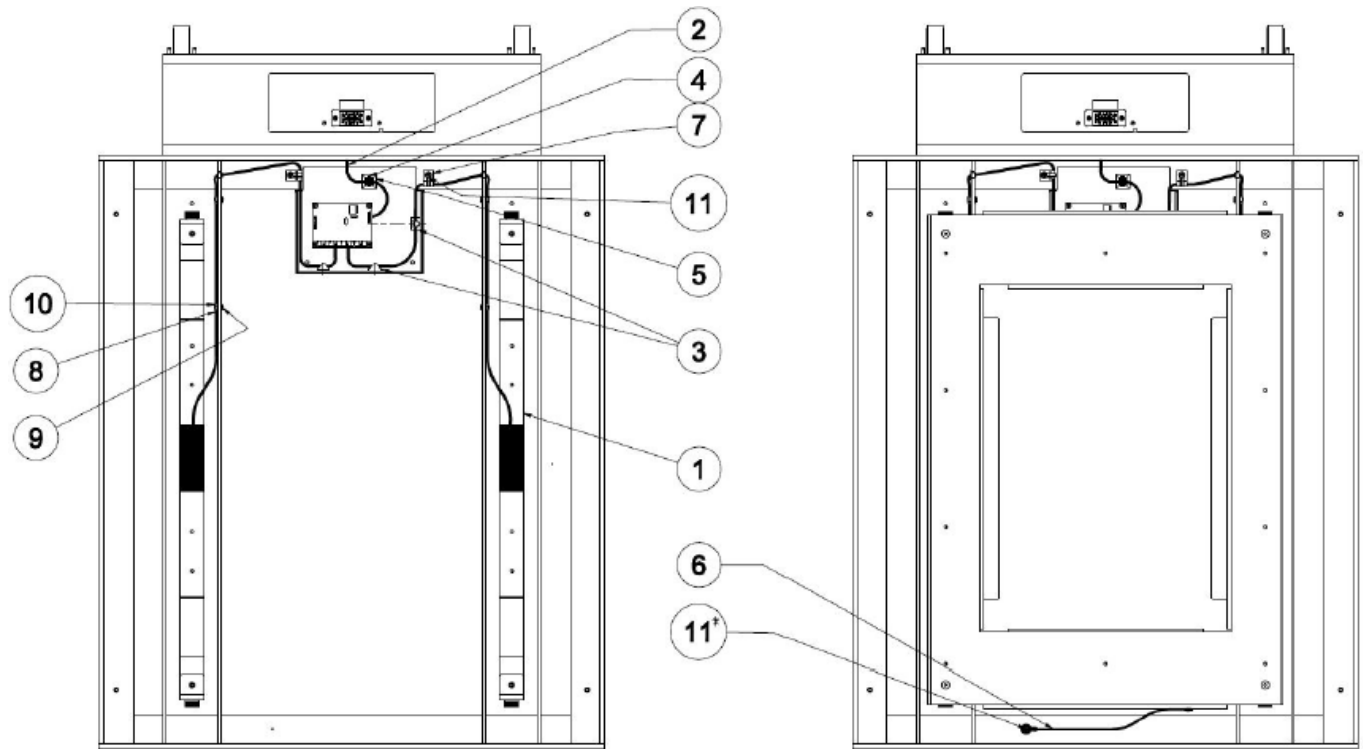


Table 19 6702 Wiring Harness

Unique Identifier	Welch Allyn Part Number	Qty	Welch Allyn Part Number Description
1	727014	2	LOAD CELL, DEBBW-1000LB, 3S, SCALE-T
2	412601	1	HARNESS, INTERIOR, BASE, SHORT, SCALE-T
3	727162	2	ADHESIVE BACKED, LATCHING, WIRE CLIP
4	715822	1	CABLE TIE HOLDER WITH ADHESIVE
5	113P464	1	CABLE TIE, 6 INCH
6	727306	1	HARNESS, CONT, GND, SCALE-T
7	50542	6	CLIP, METAL CABLE 3/16"
8	N/A	N/A	Not used. Replaced with 50542.
9	48113	4	SCW, 6-32 X 3/8" PHIL PAN HD NICKEL
10	106137-7	4	NUT 6-32 LOCKING HEX
11	48611	4	SCW, 6-32 X 1/4" PHMS SEMS, NICKEL

6702W Wiring Harness

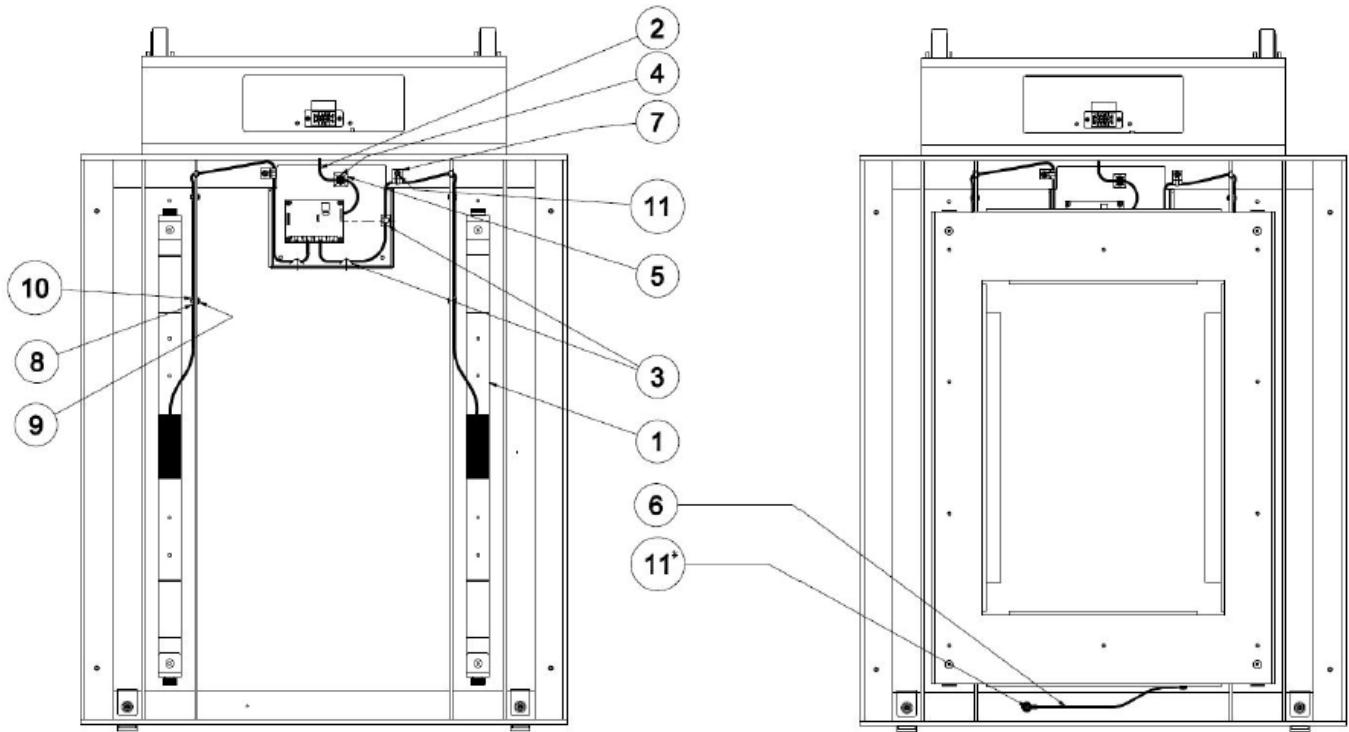


Table 20 6702W Wiring Harness

Unique Identifier	Welch Allyn Part Number	Qty	Welch Allyn Part Number Description
1	727014	2	LOAD CELL, DEBBW-1000LB, 3S, SCALE-T
2	412601	1	HARNESS, INTERIOR, BASE, SHORT, SCALE-T
3	727162	2	ADHESIVE BACKED, LATCHING, WIRE CLIP
4	715822	1	CABLE TIE HOLDER WITH ADHESIVE
5	113P464	1	CABLE TIE, 6 INCH
6	727306	1	HARNESS, CONT, GND, SCALE-T
7	50542	6	CLIP, METAL CABLE 3/16"
8	N/A	N/A	Not used. Replaced with 50542.
9	48113	4	SCW, 6-32 X 3/8" PHIL PAN HD NICKEL
10	106137-7	4	NUT 6-32 LOCKING HEX
11	48611	4	SCW, 6-32 X 1/4" PHMS SEMS, NICKEL

6702SP Wiring Harness

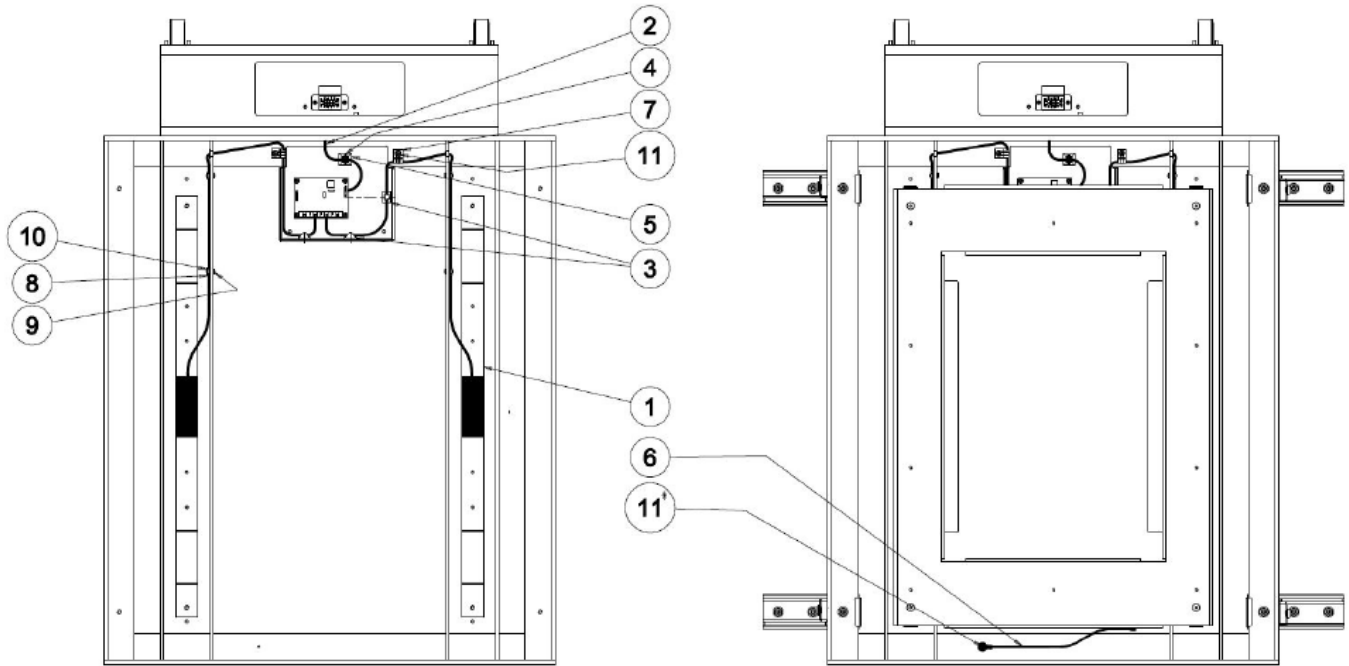


Table 21 6702W Wiring Harness

Unique Identifier	Welch Allyn Part Number	Qty	Welch Allyn Part Number Description
1	727014	2	LOAD CELL, DEBBW-1000LB, 3S, SCALE-T
2	412601	1	HARNESS, INTERIOR, BASE, SHORT, SCALE-T
3	727162	2	ADHESIVE BACKED, LATCHING, WIRE CLIP
4	715822	1	CABLE TIE HOLDER WITH ADHESIVE
5	113P464	1	CABLE TIE, 6 INCH
6	727306	1	HARNESS, CONT, GND, SCALE-T
7	50542	6	CLIP, METAL CABLE 3/16"
8	N/A	N/A	Not used. Replaced with 50542.
9	48113	4	SCW, 6-32 X 3/8" PHIL PAN HD NICKEL
10	106137-7	4	NUT 6-32 LOCKING HEX
11	48611	4	SCW, 6-32 X 1/4" PHMS SEMS, NICKEL

6702SP Outrigger Assembly

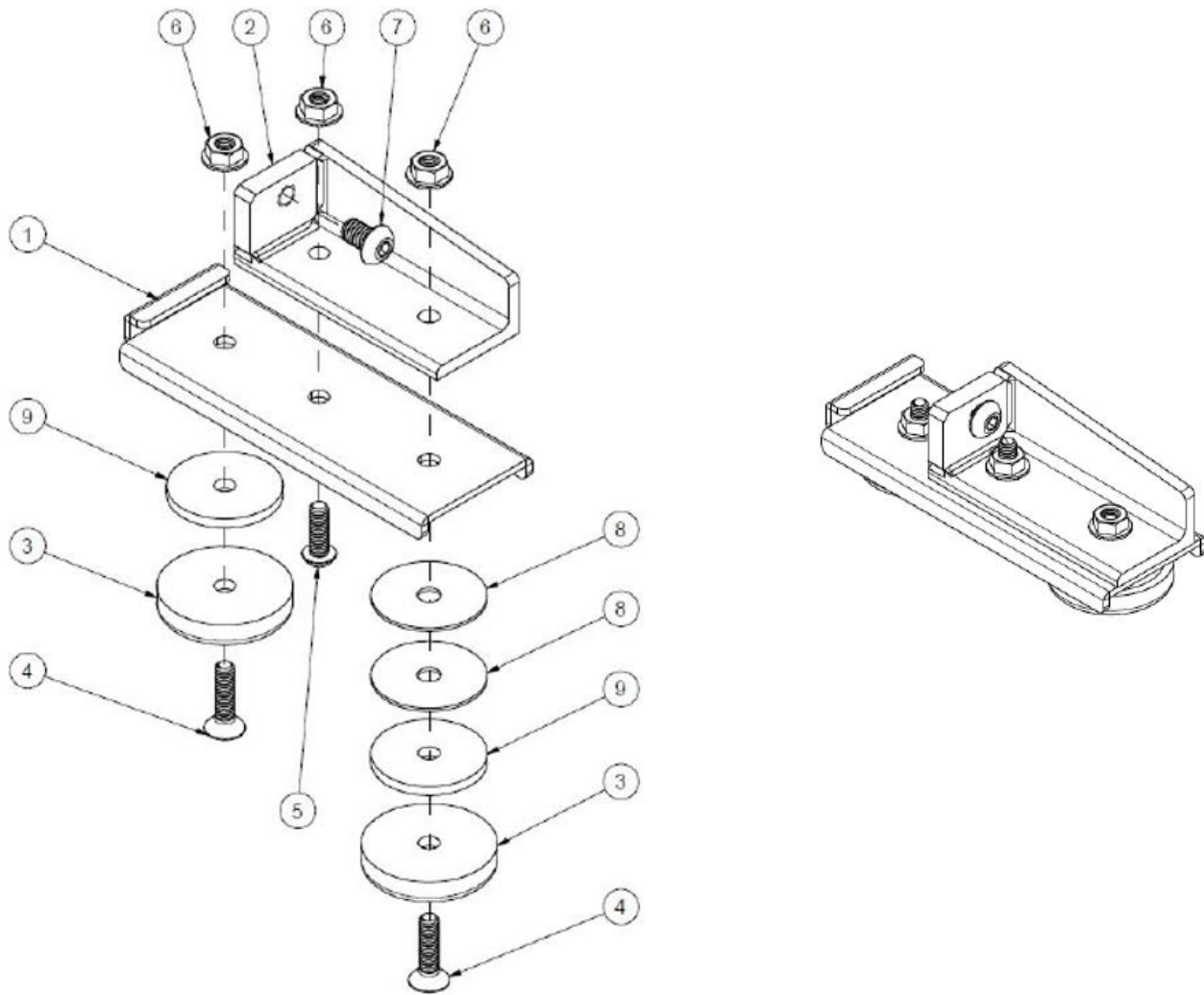
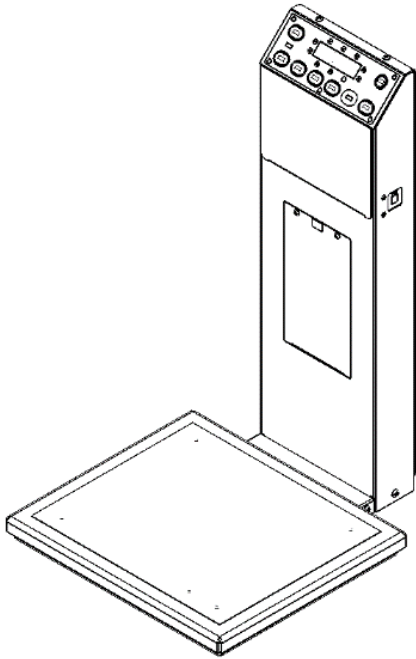


Table 22 6702SP Outrigger Assembly

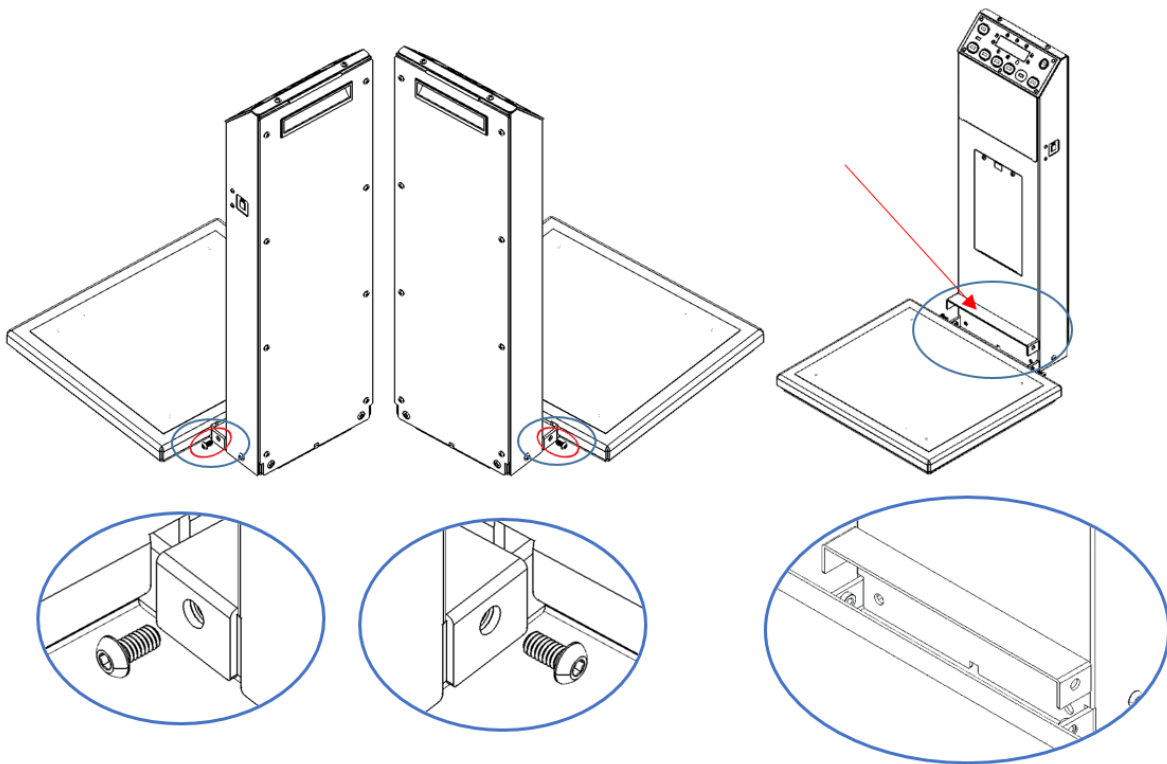
Unique Identifier	Welch Allyn Part Number	Qty	Welch Allyn Part Number Description
1	726253	1	BRACKET, 6702-SP STABILIZER SCALE-T
2	700000W	1	L-ANGLE SUPPORT ASSY, 6702SP
3	139040	2	FOOT PLASTIC I 3/4" X 3/8"
4	60624	2	SCREW 1/4-20 X 1" FHSS
5	50529	1	1/4-20 X 3/4 BUTT HD SOCK SCR
6	726461	3	NUT, 1/4-20 SER FLNG, GR5 ZINC SCALE-
7	726773	1	SCW 5/16-18 1/2" ROUNDED CAP, VIBRATITE
8	CS-206	2	WASHER, FENDER .28" X 1.5"
9	726340	2	WSHR 0.281" ID, 1.5" OD, 0.11"- 0.14 THK

5122 Disassembly

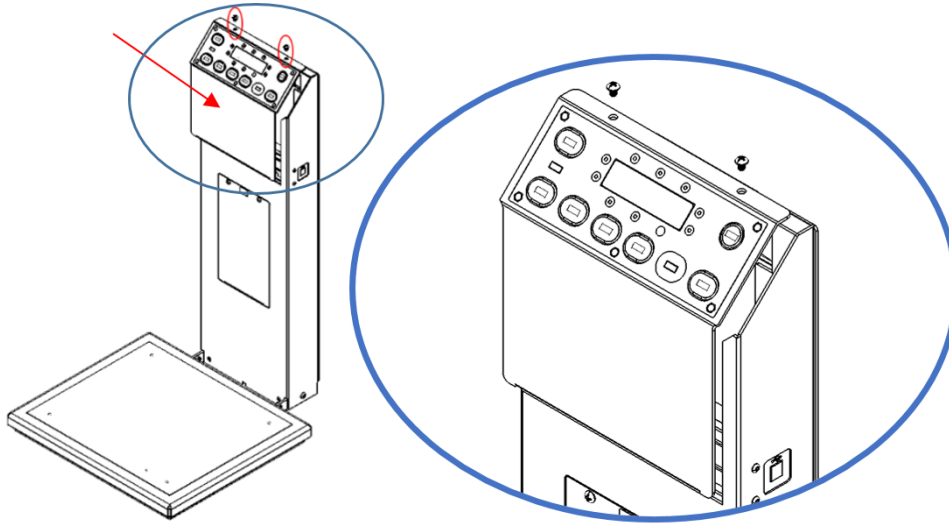
Mast Removal and Disassembly



1. Remove the slider-mast cover mounting screws (2) and cover.

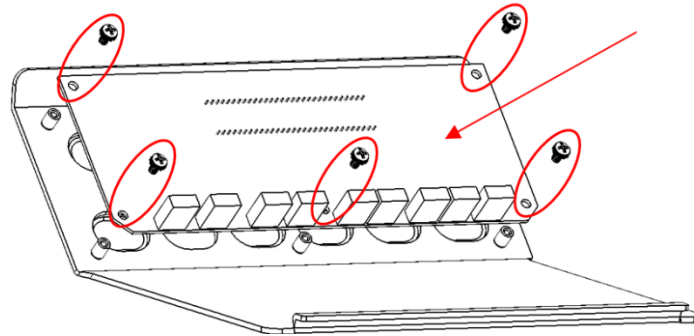


2. Remove readout assembly mounting screws (2) and readout assembly. Disconnect wiring and unlock wire clips to completely remove.

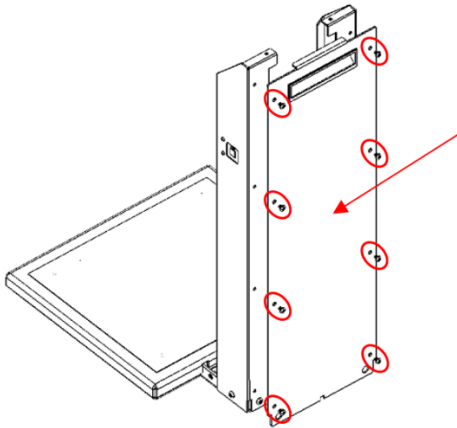


Readout Panel Disassembly

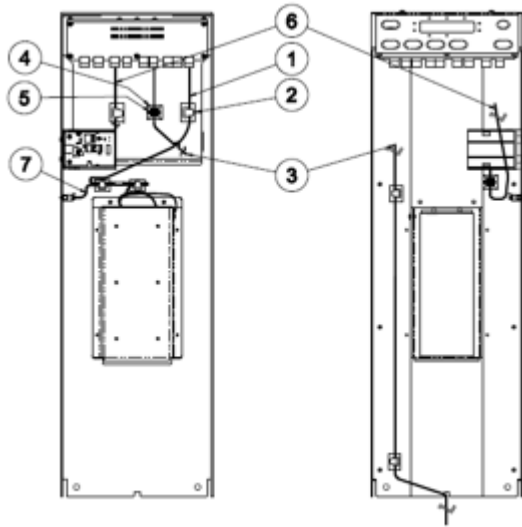
- i. Remove display board mounting screws (5) and display board.



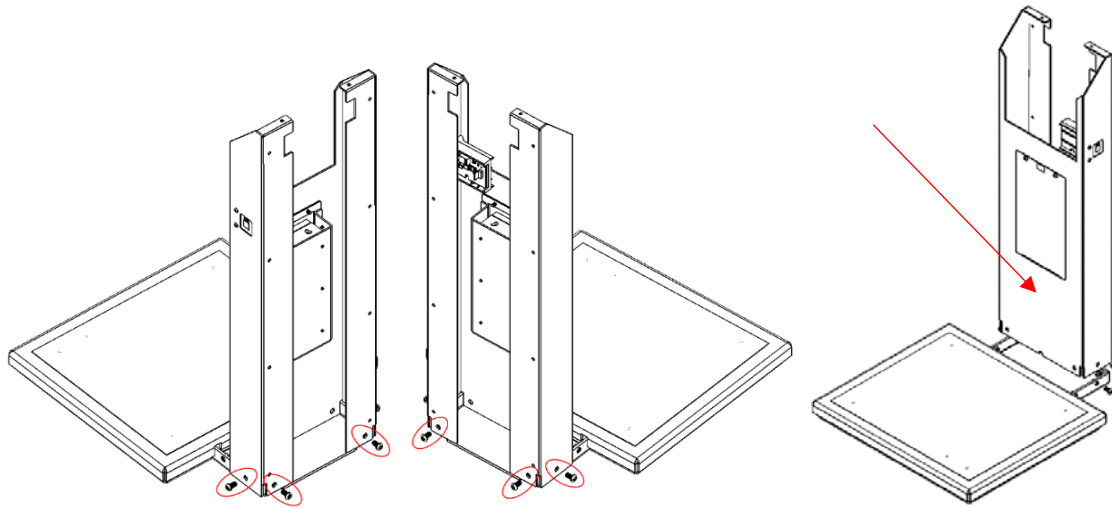
3. Remove mast back panel mounting screws (8) and mast back panel.



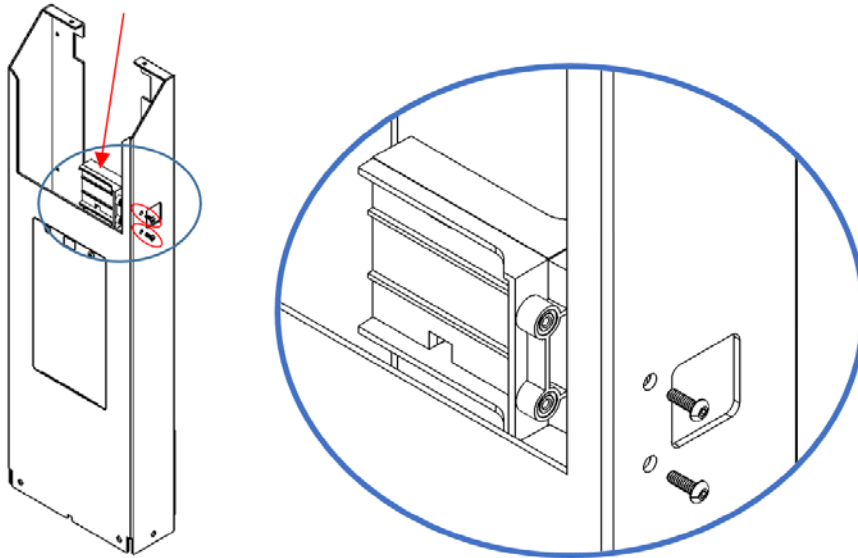
4. Disconnect wiring harnesses and unlock wire clips.
 - a. Note: the middle connection goes into the base and must be completely free to remove the mast.



5. Remove mast mounting screws (4) and mast assembly.

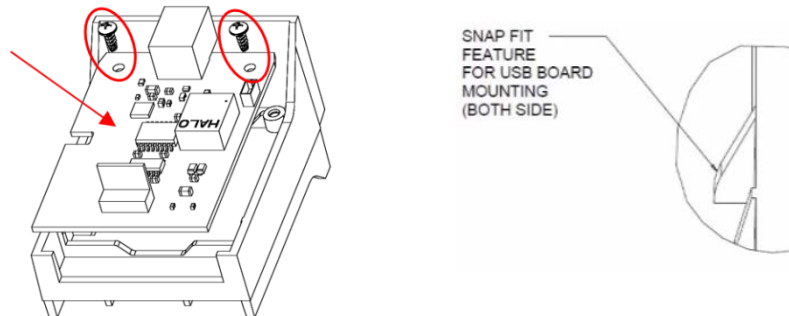


6. Remove USB assembly mounting screws (2) and USB assembly. Disconnect wiring harness to completely remove.

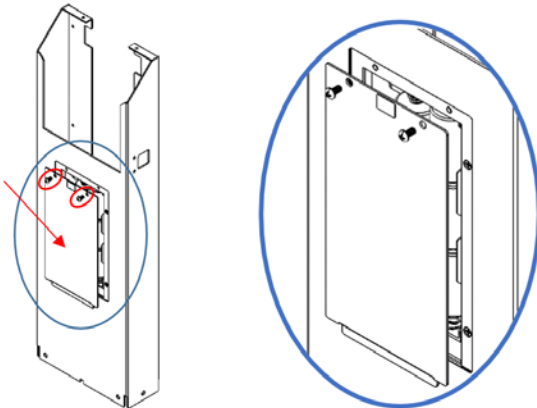


a. USB Assembly disassembly

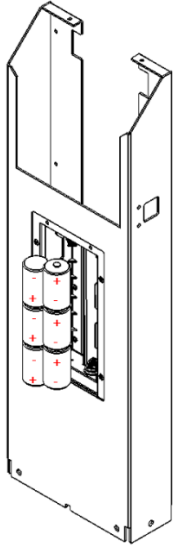
- i. Remove the USB PCBA board mounting screws and then carefully remove the PCBA board from the bracket.



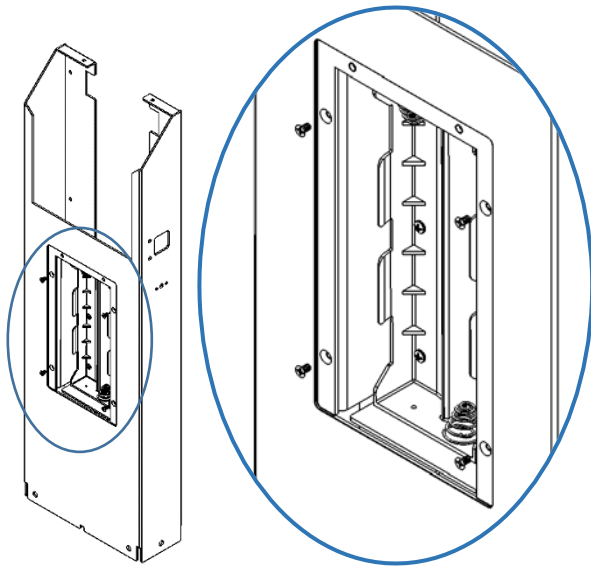
7. Remove battery door screws (2) and battery door.

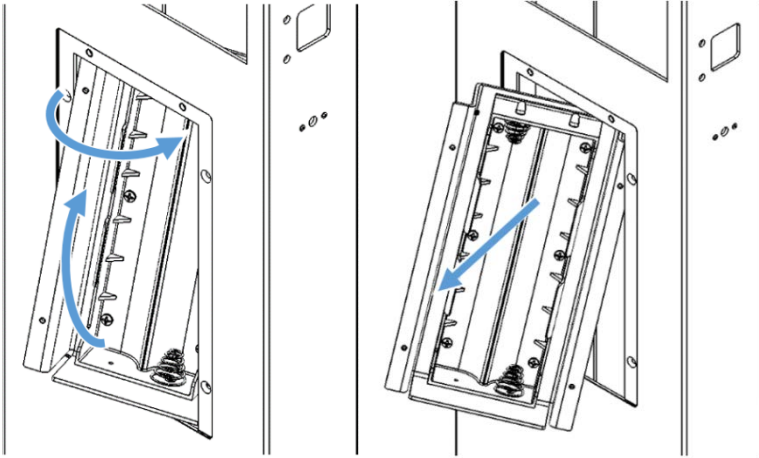


8. Remove batteries (6).



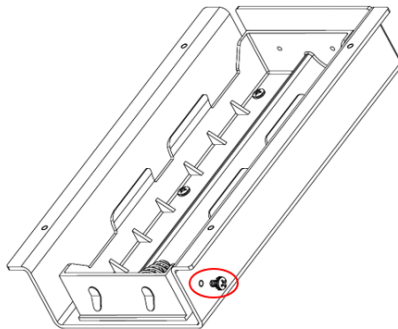
9. Remove battery holder assembly mounting screws (4) and battery holder assembly.



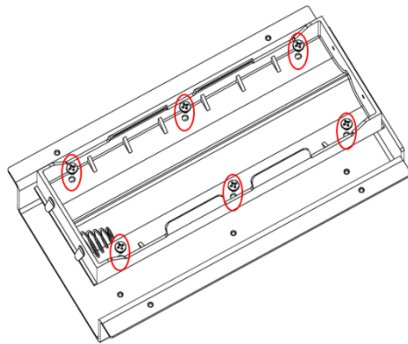


a. Battery Holder assembly disassembly

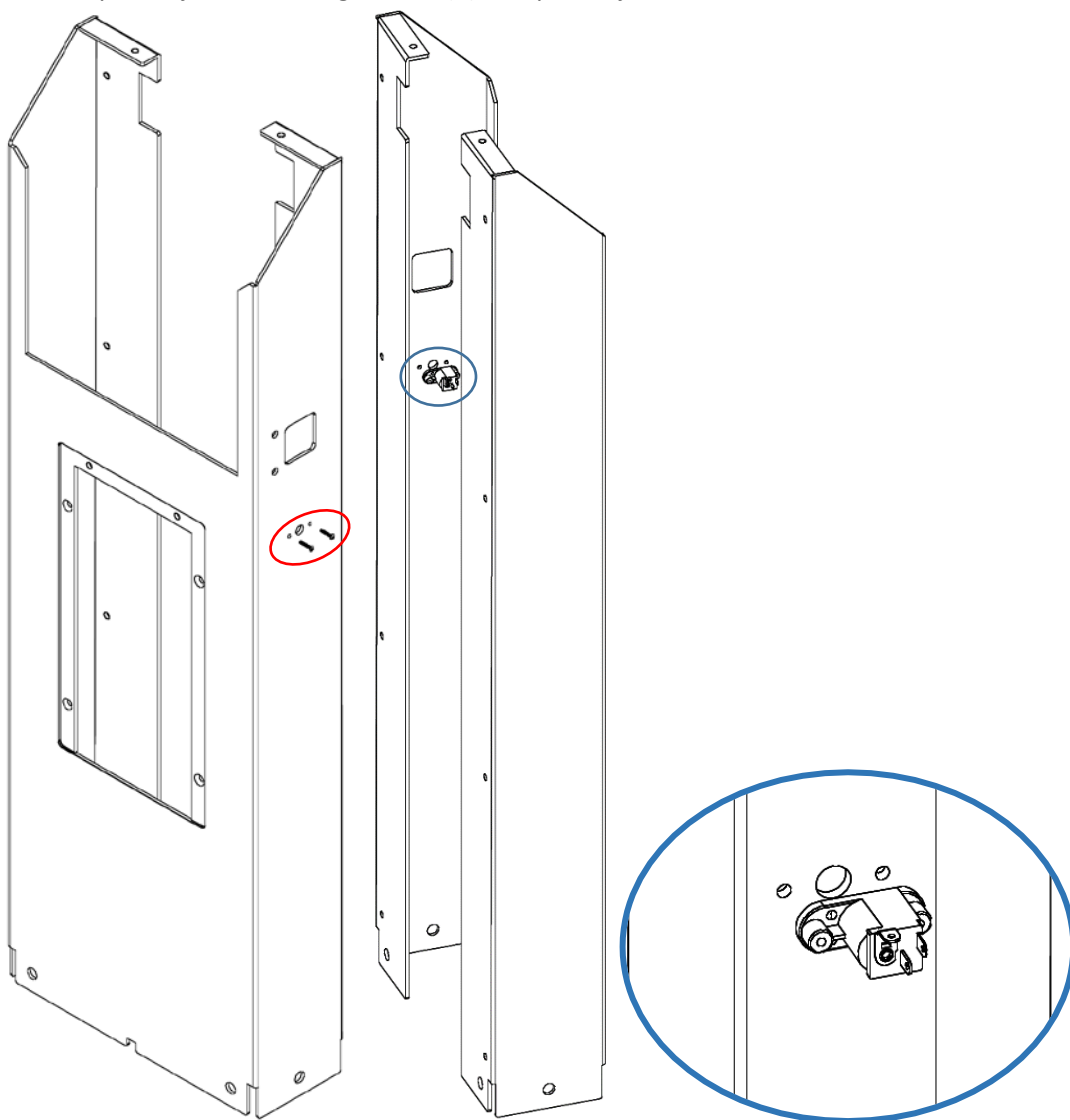
- i. Remove the grounding wire mounting screw.



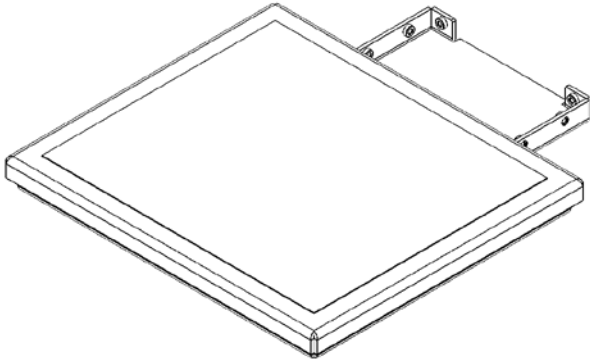
- ii. Remove the battery holder mounting screws (6) and battery holder.



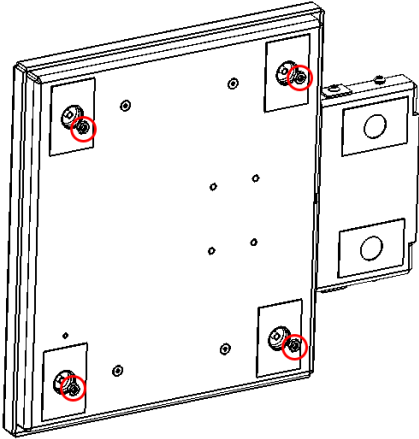
10. Remove power jack mounting screws (2) and power jack.



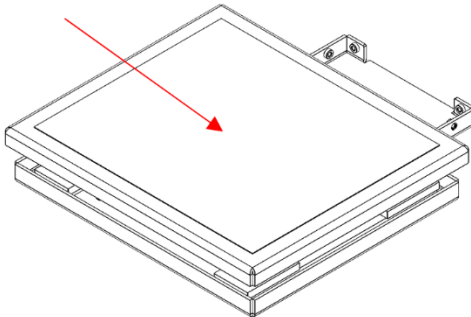
Base and Load Cell Assembly Disassembly



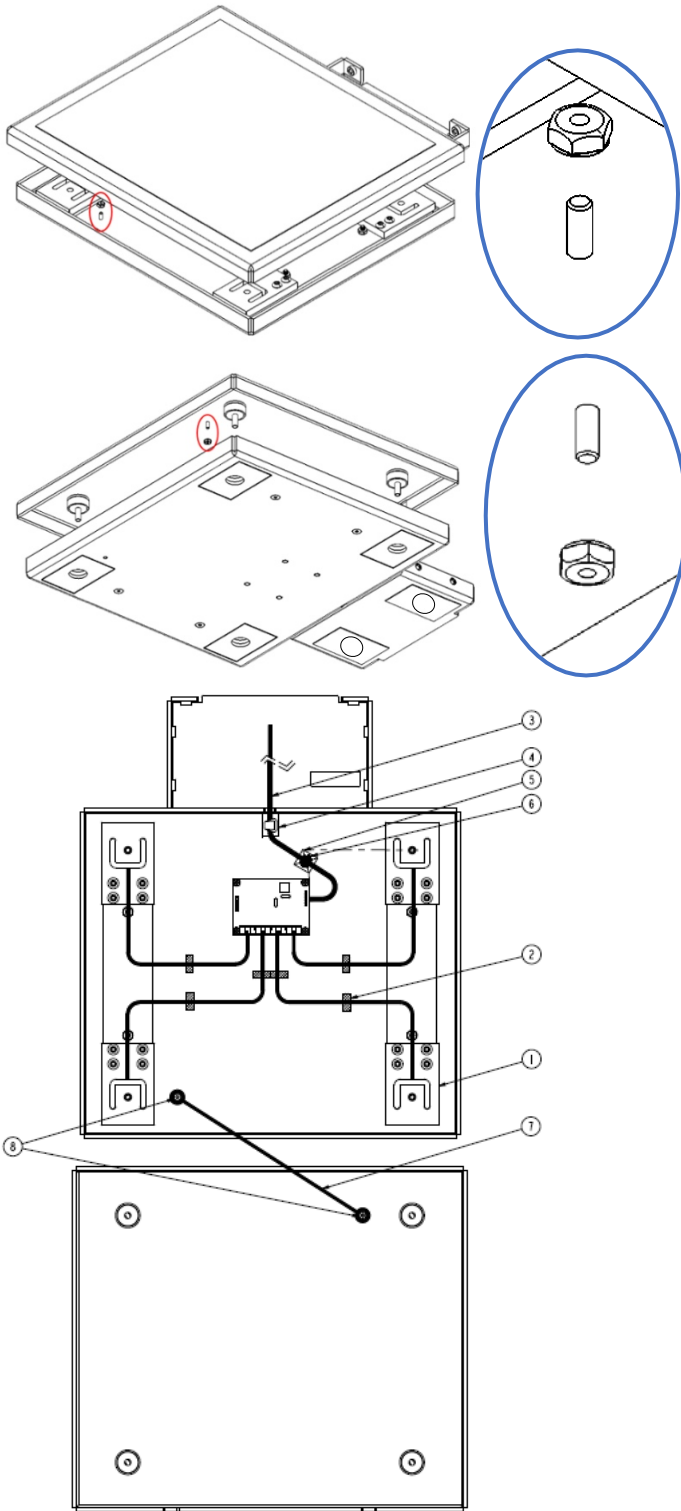
1. Tip the base over to remove the top plate mounting nuts (4).



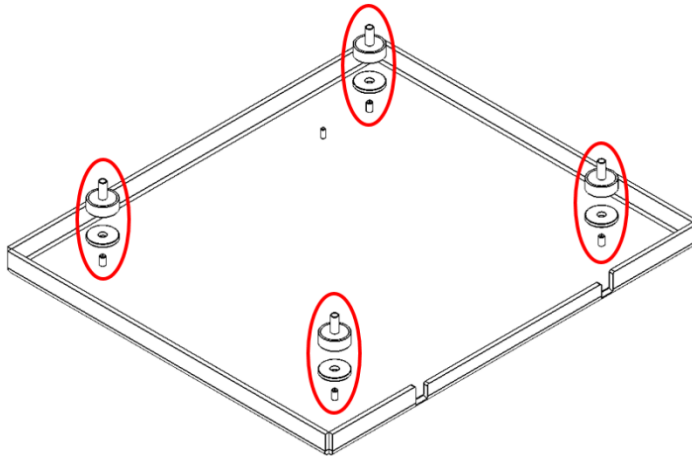
2. Remove base top plate.



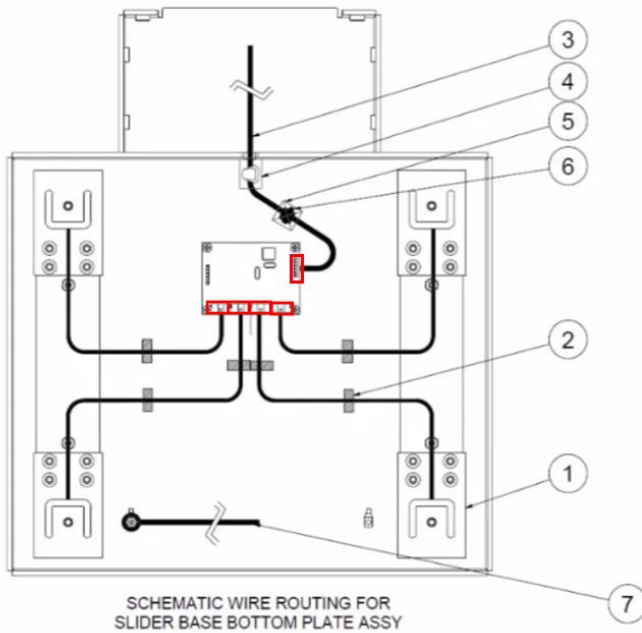
3. Remove base ground mounting nuts (2) from the base and the top plate and the ground leads.
 - a. **CAUTION:** Remove the ground wire before separating the top plate.



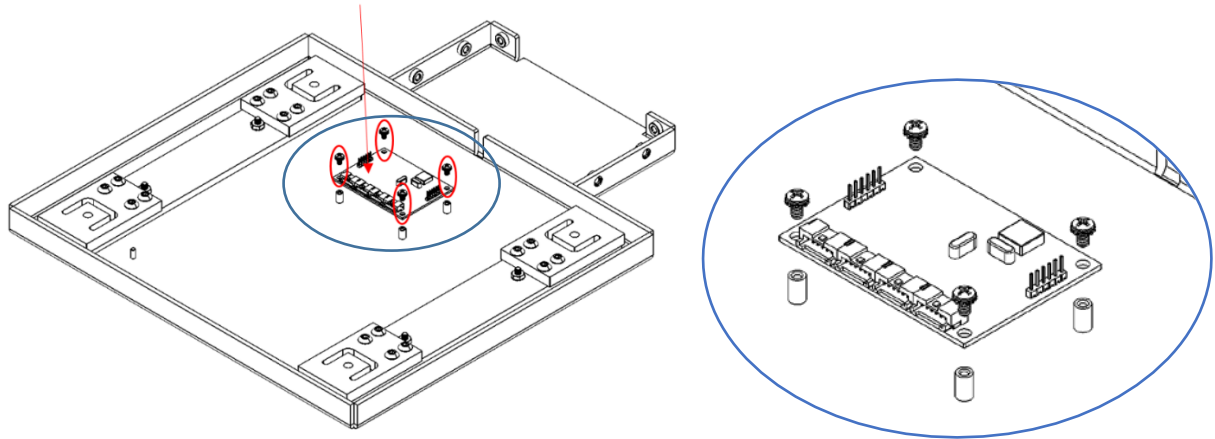
4. Remove the load mounts (4) and load mount washers (4) from the top plate.



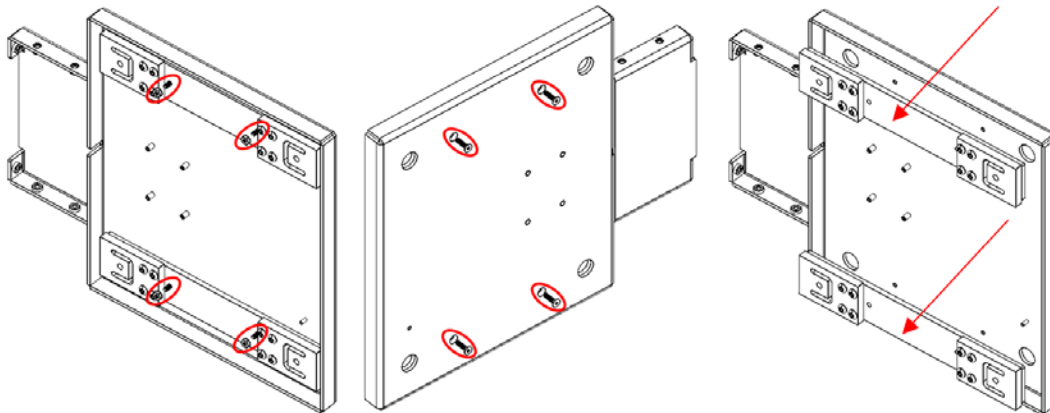
5. Disconnect the wiring from the PCBA board.



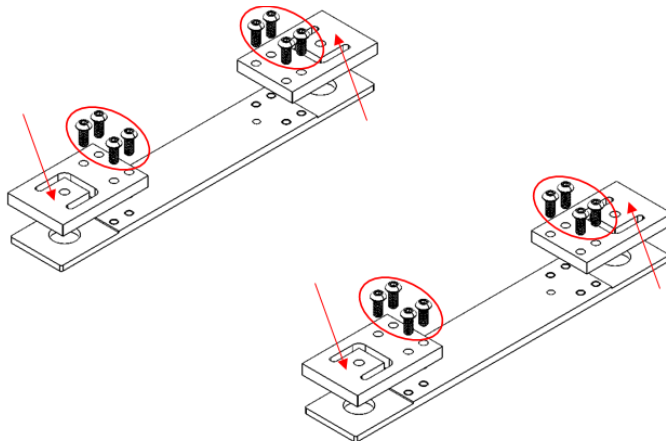
6. Remove PCBA mounting screws (4) and PCBA board. **CAUTION:** Ensure ESD protection.



7. Tip the base up to remove the load cell assembly mounting nuts (4), screws (4), and load cell assemblies (2). Be sure to hold the load cell assemblies in place while removing the screws to avoid damage.



8. Remove the load cell mounting screws (16) and load cells (4) from the overload plates (2)



Torque Specification Values

Use this table to determine how much torque to apply to screws by type and location when reassembling the device.

Scale Assembly

Welch Allyn Part Number	Welch Allyn Part Number Description	Torque spec (in-lb)
130212	10-32X1/4 SCREW - BHMS SOC	15.9 ± 3.9
48112	SCW, 1/4-20 X 1/2" BHCS, SS, PASSIVATED (base cover)	75.2 ± 18.8

Mast Body Assembly

Welch Allyn Part Number	Welch Allyn Part Number Description	Torque spec (in-lb)
726494	SCREW 1/32X3/8 THREAD FORM	1.8 ± 0.4
130204	SCW 6-32X1/4" FHMS UNDERCUT ZINC	2.9 ± 0.73
130237	SCW 10-32X3/8" PHIL RND MS SS	15.9 ± 4.0
726746	SCW 6/32X7/16 HEX RHS 316 SS	8.7 ± 2.1

Battery Bracket Assembly

Welch Allyn Part Number	Welch Allyn Part Number Description	Torque spec (in-lb)
24014	SCW 6-32X1/4 PHIL PAN STEEL NICKEL	8.7 ± 0.5
48611	SCW, 6-32 X 1/4: PHMS SEMS, NICKEL	8.7 ± 0.5

USB Assembly

Welch Allyn Part Number	Welch Allyn Part Number Description	Torque spec (in-lb)
727161	SCREW 3/24X1/4 PHILLIPS PSP PLASTITE	3 ± 0.7

Readout Assembly

Welch Allyn Part Number	Welch Allyn Part Number Description	Torque spec (in-lb)
48611	SCW, 6-32 X 1/4: PHMS SEMS, NICKEL	8.7 ± 0.5

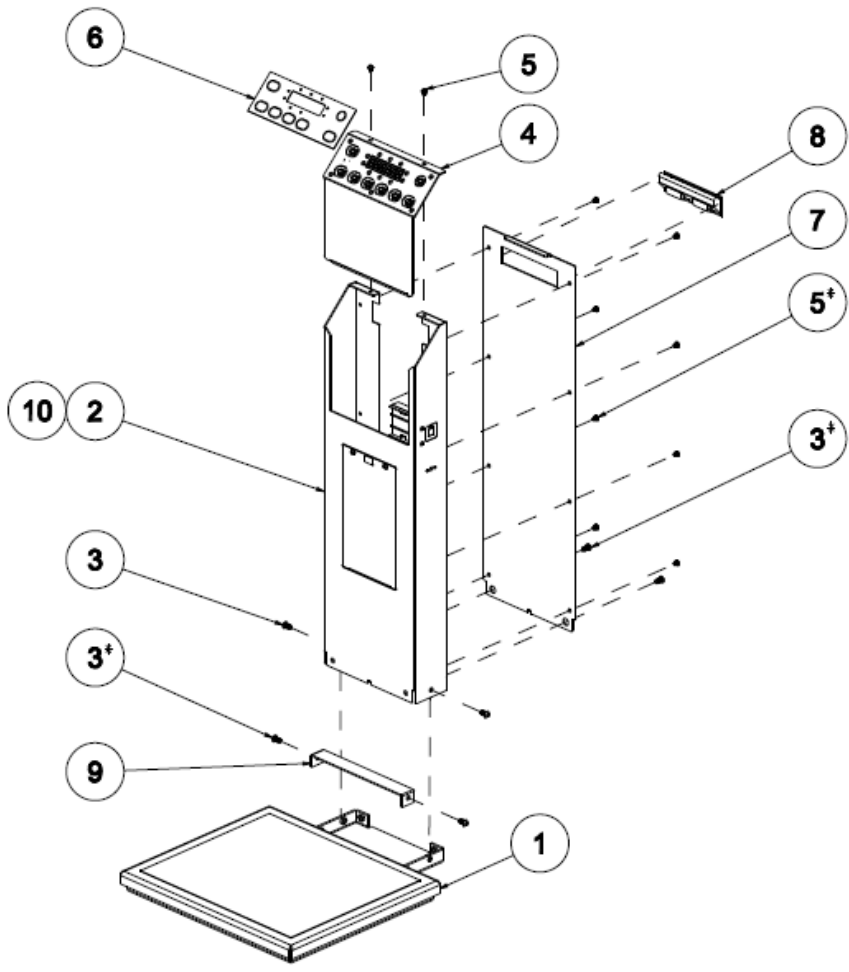
Base Torque Values (in-lb)

Welch Allyn Part Number	Welch Allyn Part Number Description	Torque spec (in-lb)
106137-4	NUT 10-32 EXTLOCK	31.7 ± 7.9
48611	SCW, 6-32 X 1/4: PHMS SEMS, NICKEL	8.7 ± 0.5

Load Cell Assembly Torque Values (in-lb)

Welch Allyn Part Number	Welch Allyn Part Number Description	Torque spec (in-lb)
726749	SCW, 1/4-20 X 5/8", HEX, BUTTON HEAD, SS	75.2 ± 18.8

5122 Repair Parts



5122 MAIN LEVEL ASSEMBLY

* NOT TO BE CONSIDERED IN SEQUENCE

Table 23 5122 Top Level Assembly

Unique Identifier	Welch Allyn Part Number	Qty	Welch Allyn Part Number Description
1		1	SEE SLIDER BASE EXPLODED VIEW Table 29
2 10			SEE 5122 MAST EXPLODED VIEW Table 25
3	48112	6	SCW, 1/4-20 X 1/2" BHCS, SS, PASSIVATED
4	412464	1	SEE READOUT PANEL EXPLODED VIEW Table 24
5	130212	10	10-32X1/4 SCREW - BHMS SOC
6	726602	1	OVERLAY GRAPHIC MAST WOPRINT SCALE-T
7	030169W	1	BACK PANEL SLIDER MAST
8	40564	1	HANDLE RECESSED PLASTIC
9	726496	1	BRACKET 5122 SLIDER-MAST COVER SCALE-T

Accessory Repair Parts

Welch Allyn Part Number	Qty	Welch Allyn Part Number Description
749201	6	"D" CELL BATTERY
726583	1	LABEL POWER SCALE-T
726975	1	LABEL SCALE-T BATTERY DOOR
21209	1	LABEL, S-T 6" X 7/8" BLACK ON
726638	1	LBL ST CAPACITY LABEL 300KG
725715	1	LABEL, MAST AND BASE SN MATCH SCALE-T

Readout Assembly

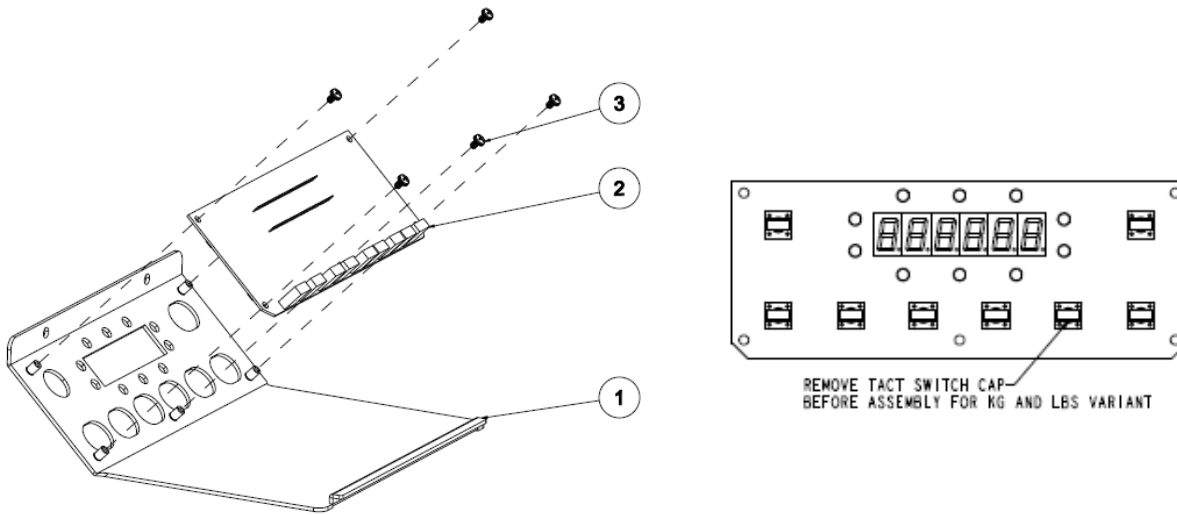


Table 24 Readout Assembly

Unique Identifier	Welch Allyn Part Number	Qty	Welch Allyn Part Number Description
1	726611	1	COVER, MAST, READOUT PANEL, SCALE-T
2	412270	1	PCBA DISPLAY W/TACT-SWITCH SCALE-T
3	48611	5	SCW, 6-32 X 1/4" PHMS SEMS, NICKEL

5122 Mast Assembly

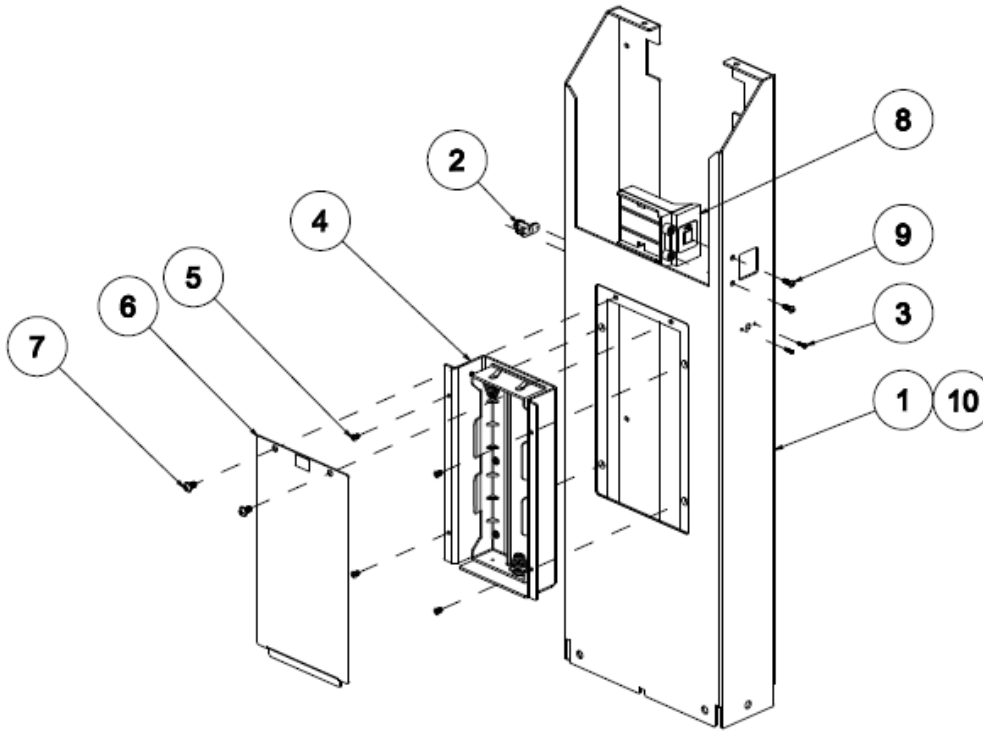


Table 25 5122 Mast Assembly

Unique Identifier	Welch Allyn Part Number	Qty	Welch Allyn Part Number Description
1	726894	1	SLIDER, MAST, SCALE-T
2	412432	1	HARNESS POWER JACK DC 2.5MM SCALE-T
3	726494	2	SCREW 1/32X3/8 THREAD FORM
4		1	SEE BATTERY BRACKET EXPLODED VIEW Table 27
5	130204	4	SCW 6-32X1/4" FHMS UNDERCUT ZINC
6		1	SEE BATTERY ACCESS PANEL Table 31
7	130237	2	SCW 10-32X3/8" PHIL RND MS SS
8		1	SEE USB BRACKET EXPLODED VIEW Table 26
9	726746	2	SCW 6/32X7/16 HEX RHS 316 SS
10	726495	1	SLIDER, MAST, W/O AC, SCALE – T

USB Assembly

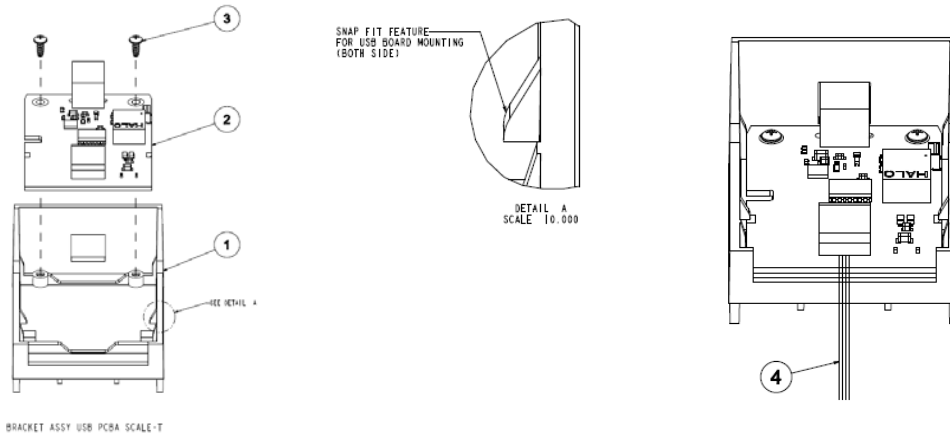


Table 26 USB Assembly

Unique Identifier	Welch Allyn Part Number	Qty	Welch Allyn Part Number Description
1	726555	1	BRACKET, USB PCBA, SCALE-T
2	412273	1	PCBA USB SCALE-T
3	727161	2	SCREW 3/24X1/4 PHILLIPS PHP PLASTITE
4	412430	1	HARNESS, USB INTERFACE, SCALE-T

Battery Bracket Assembly

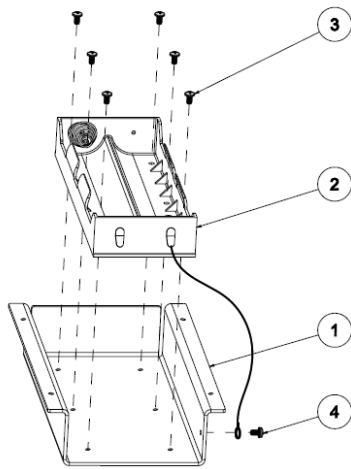
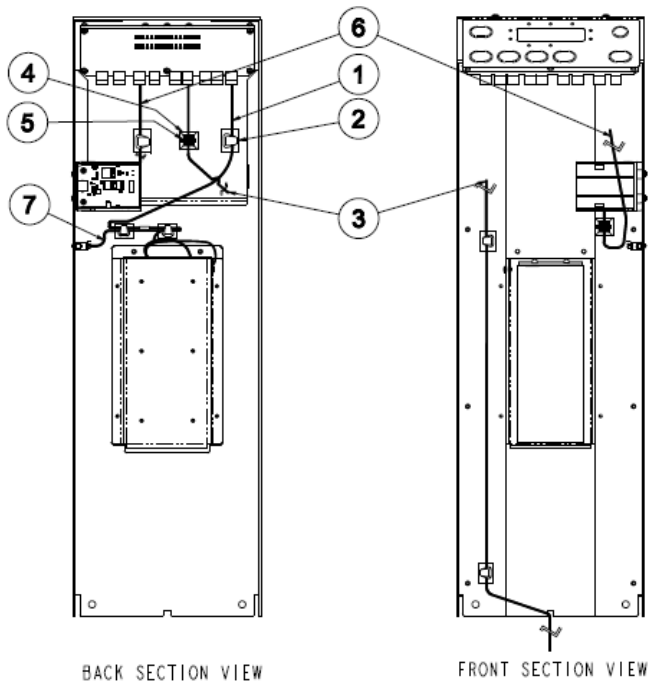


Table 27 Battery Bracket Assembly

Unique Identifier	Welch Allyn Part Number	Qty	Welch Allyn Part Number Description
1	726616	1	BRACKET, MAST, BATT HLD, SCALE-T
2	412431	1	HARNESS BATT HOLDER W/GRD SCALE-T
3	24014	6	SCW 6-32 X 1/4 PHIL PAN STEEL NICKEL
4	48611	1	SCW, 6-32 x 1/4" PHMS SEMS, NICKEL

Mast Wiring Harnesses

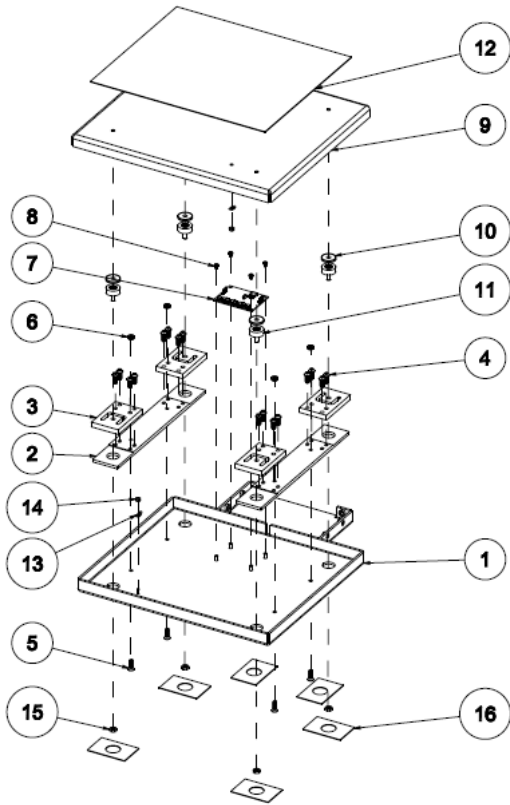


WIRING HARNEES FOR
FIXED SLIDER MAST ASSEMBLY, W/AC, SCALE-T

Table 28 5122 Mast Wiring Harnesses

Unique Identifier	Welch Allyn Part Number	Qty	Welch Allyn Part Number Description
1	412431	1	HARNESS BATT HOLDER W/GRD SCALE-T
2	727162	6	ADHESIVE BACKED LATCHING WIRE CLIP
3	412602	1	HARNESS LOW D-PCA TO M-PCA SCALE T
4	715822	2	CABLE TIE HOLDER WITH ADHESIVE
5	113P464	2	CABLE TIE 6 INCH
6	412430	1	HARNESS USB INTERFACE SCALE-T
7	412432	1	HARNESS POWER JACK DC 2.5MM SCALE-T

Slider Base Assembly



SLIDER BASE ASSY SCALE-T

Table 29 5122 Slider Base Assembly

Unique Identifier	Welch Allyn Part Number	Qty	Welch Allyn Part Number Description
1	726896	1	SLIDER BASE BOTTOM PLATE SCALE-T
2	726897	2	SLIDER BASE OVERLOAD PROTECT PLATE
3	726899	4	LOAD CELL, GPBS-150KG, 3S, SCALE-T
4	726749	16	SCREW, 1/4-20X5/8" HEX, BUTTON HEAD, SS
5	727768	4	SCW, 10-32 X 5/8" FLAT HEAD SOC CAP SCRW
6	106137-4	4	NUT,10-32 EXTLOCK
7	726349	1	PCBA, MEASUREMENT BOARD, SCALE-T
8	48611	4	SCW, 6-32 X 1/4" PHMS SEMS, NICKEL
9	726895	1	SLIDER, BASE, TOP PLATE, SCALE-T
10	50518	4	WASHER, 0.281" X 1.000" X 0.125"
11	726898	4	LOAD MOUNT, 1/4-20 X 5/8, SCALE-T
12	531021	1	SHUR STEP GRAY 12" X 14" 5122
13	727306	2	HARNESS, CONT, GND, SCALE-T
14	106137-7	2	NUT 6-32 LOCKING HEX
15	131052	4	NUT, 1/4-20 JAM
16	726492	6	SHUR STEP, 2"X3", W/HOLE, SCALE-T

Load Cell Assembly

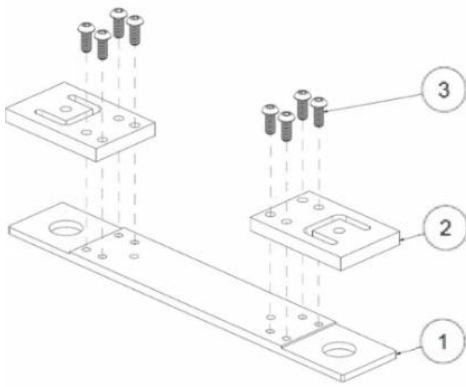


Table 30 5122 Load Cell Assembly

Unique Identifier	Welch Allyn Part Number	Qty	Welch Allyn Part Number Description
1	726897	1	SLIDER, BASE, OVERLOAD PROTECT, PLATE
2	726899	2	LOAD CELL, GPBS-150KG, 3S, SCALE-T
3	726749	8	SCW, 1/4-20 X 5/8", HEX, BUTTON HEAD, SS

Battery Access Panel Assembly

Table 31 5122 Battery Access Panel Assembly

Welch Allyn Part Number	Qty	Welch Allyn Part Number Description
726612	1	PANEL, MAST, BATT ACCESS, SCALE-T
726975	1	LABEL SCALE-T BATTERY DOOR

Base Wiring Harnesses

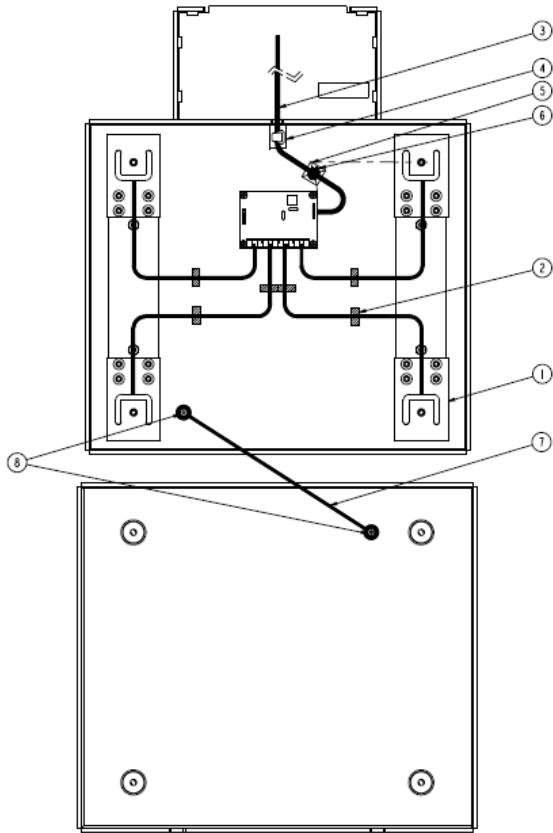


Table 32 5122 Base Wiring Harnesses

Unique Identifier	Welch Allyn Part Number	Qty	Welch Allyn Part Number Description
1	726899	4	LOAD CELL, GPBS-150KG, 3S, SCALE-T
2	138019	6	TAPE, ALUMINUM 3/4" X 60YD
3	412602	1	HARNESS, LOW, D-PCA TO M-PCA, SCALE-T
4	727162	1	ADHESIVE BACKED, LATCHING, WIRE CLIP
5	715822	1	CABLE TIE HOLDER WITH ADHESIVE
6	113P464	1	CABLE TIE, 6 INCH
7	727306	1	HARNESS, CONT, GND, SCALE-T
8	106137-7	2	NUT 6-32 LOCKING HEX

Troubleshooting

Scale Troubleshooting

The following beeps occur when using the scale.

Sound	Meaning
One beep	Acknowledgment of a button press
Two beeps	A zero weight is obtained and ready to take a measurement
Three beeps	Weight reading is obtained and displayed
No print, four short beeps	A print was requested, but valid weight is not displayed on the scale (for e.g., weight display "0.0") PRINT was pressed while the printer is in use A print was requested, but print function is disabled in BMI calculation
No print, four long beeps	There is an internal problem with the printer such as a jammed print head, out of paper condition or disconnected cable
Four long beeps	The battery is too weak to operate the scale The scale has entered custom setup mode, factory mode, service mode and calibration mode
Long/ short beeps	There is a problem with the scale
Continuous long beep	There is a problem with the scale

"OFF SCALE PLEASE" Display (with beep for each word) message may be displayed on scales with ramps (e.g. 6002, 6702) if a patient is on the scale and the scale is on power up. This is due to the scale's need to calibrate with the ramps up or down.

Message	Meaning
bAttrY	Batteries' power is insufficient to operate the scale
LoBATT	Batteries' power is insufficient to print
CABLE	The measurement board connection has been lost. A technician should ensure the connection is seated properly on both ends
O-LOAD	The patient exceeds the weight capacity of the scale
OFF SCALE PLEASE	Remove the patient from the weighing platform if he or she stands on it before scale shows "0.0" (in Wheelchair Scales only)
-----	Stationary display indicates a negative weight. Ensure that there is nothing on the scale and press ZERO to set the zero
ERR FD	The scale's factory database integrity is compromised
ERR DB	The scale's application database integrity is compromised
ERRoR	The scale's flash memory integrity is compromised
ERR AD	The measurement board cannot be read
ERR AV	The measurement board's version is wrong
ERR CL	Measurement board error; weight display is blocked

The following simplified trouble shooting procedures are recommended for identifying defective system components. Certain corrective measures are provided. Only factory or authorized service facilities should perform more complicated servicing. Most problems can be solved over the telephone. Problems requiring factory service are usually handled quickly and the scale is on its way back. Call first to discuss the problem.

WEIGHT READING NOT ACCURATE

This can commonly be caused by a mechanical obstruction of the weighing platform. Check that the platform is not touching some foreign object so that it is restricted in its downward movement. Also check that the connecting cable is firmly plugged into the instrument circuit board. On those scales with masts check the mast cable for a firm connection to the base.

WEIGHT READING TAKES EXCESSIVE TIME TO DISPLAY

If the platform is in motion, the scale will wait for it to settle before displaying the weight. Excessive patient motion can cause this.

Also check that the connecting cable is firmly plugged into the readout cabinet. Examine the weighing platform to ensure it is not rubbing against a foreign object.

SCALE DISPLAYS “CABLE” OR “O-LOAD”

This indicates the scale’s internal microcomputer has received a signal in excess of its expected value. “O-LOAD” indicates the weight signal is larger than the maximum value assigned to that particular model (see specifications on inside front cover). If the weight value is within the specified range, this indicates a damaged transducer or defective instrument board.

The “CABLE” display indicates a signal outside the range of the internal a-d converter has been applied. This is most likely caused by a damaged or disconnected transducer cable. On those scales with a mast, check the connection to the weighing platform at its base. Also check the internal connection of the load cell connectors.

READING DOES NOT CHANGE WHEN WEIGHT APPLIED

Check that the weight platform is plugged into the readout. The platform cable, connector or load cell transducer may be defective. The load cell transducer’s resistance can be checked with an ohmmeter after unplugging from the readout. The proper resistance values are listed below:

5002, 5702, 6002 SCALES:

WIRE COLORS (PIN NO.)	RESISTANCE
WHT(4)/RED(5)	1000 ± 5 Ω
GRN(1)/BLK(2)	1180 ± 50 Ω
Pin to Ground	≥5000 MΩ
Full Scale Output	2.2 mV/V ± 0.1%



5122 SCALES:

WIRE COLORS (PIN NO.)	RESISTANCE
WHT(4)/RED(5)	1000 ± 3 Ω
GRN(1)/BLK(2)	1181 ± 50 Ω
Pin to Ground	≥5000 MΩ



Full Scale Output 0.9 mV/V ± 0.

6702 SCALES:

WIRE COLORS (PIN NO.)	RESISTANCE
WHT(4)/RED(5)	350 ± 3 Ω
GRN(1)/BLK(2)	386 ± 50 Ω
Pin to Ground	≥5000 MΩ


Full Scale Output 1.7 mV/V ± 0.2%

Consult Welch Allyn if readings differ from those shown.

NOTE: Ohmmeters will not indicate a change in resistance of the load cell transducer when weights are applied to scale. This is due to the extremely small change in resistance of the strain gauges employed (<1 ohm) and the fact that the bridge configuration presents a constant value of resistance when measured from its terminals.

Symptoms and solutions

Symptom	Possible Cause	Corrective Action	
Scale does not turn on	Dead Batteries	Remove the rear cover using a Phillip head screwdriver. Replace the “D” cell batteries.	
	“D” Cell no rear Adapter		
	Wrong Battery Voltage		Check the voltage of the non-rechargeable batteries. The minimum required voltage for working is 6.6 V.
	Damaged AC Adapter		Check the voltage for 12 volts. Replace if not detected.
No Power/No Display	Cracked Battery Holder	Replace the Battery Holder Assembly.	
	Damaged Battery Holder Harness	Note Red, Black, and Yellow Wire that was unhooked from the faceplate pulls out with the Battery Holder & Bracket Assembly.	
Rotating or Loose Transport Mast, Top Handle	Washer with Liner Pin	Check the pins in the cable to make sure the Harness Battery Holder is properly aligned and connected to the display board. Remove front panel. Tighten with a 7/16” Ratchet/Wrench. If they will not tighten, replace the washer and liner pin.	

Cracked Base, broken, loose	Metal Frame - around the weld edges	Replace the Base.
Mast is loose	Loose Bolts	Tighten the bolts that hold the MAST onto the base.
Inaccurate Weight Readings with the 4 Corner Test being stable and consistent	Mechanical Hang-up on Platform Assembly	<p>Inspect the 4 nylon feet – if missing or damaged replace Delron feet.</p> <p>Tip and shake the scale gently see if something got lodged in the edge.</p> <p>Take screw driver around the edge to dislodge any debris.</p> <p>4 corner platform test using 25KG or 50lb certified weight</p> <ol style="list-style-type: none"> 1. Apply weight evenly on the center of the scale. Weigh two times and record your weight reading each time. 2. Remove weight from center and apply weight on each 4 corners one at a time and Weigh two times and record weight reading each time. <p>Examine your corner readings Plot all readings and they should be within ± 0.4 lb./ .2 kg from center reading.</p>
Inaccurate Weight Readings with the 4 Corner Test “Not” stable	Blue EAR missing on Load mount	<p>IF your corner readings are more than ± 2 lb/1 kg away from center reading.</p> <p>The corner that reads the lowest is the problem area. Repeat corner test if need be. Follow troubleshooting procedures to the platform.</p> <p>Remove the hand rail. Remove Grey Dust Cover - held on with Double Sided Tape. Remove the top plate held on by 4 button head screws. If one of the screws is damaged or missing replace it. Inspect scale for debris or foreign objects. Inspect the 4 Load mounts and ensure the blue ears are properly in place, if missing or out of position replace blue ear.</p> 

		To reinstall button head screw's, apply some removable Loctite 220 to each screw. Avoid over tightening the screws. Turn screw all the way down and then turn screw back 1/4 turn.
	Bad Load Cell	<p>Removing the top plate, the load cells will be visible.</p> <p>Enter into "Service Mode" Display A/D Readings</p> <p>Note: A/D reading without a load. Look for a low stable weight reading less than 10 lbs and that it is not drifting or unstable.</p> <p>Unplug each load cell and connect one at a time to see if your display becomes unstable. This will tell you which load cell needs to be replaced.</p>
-----	A/D Readings are unstable	<p>Removing the top plate, the load cells will be visible.</p> <p>Enter into "Service Mode" Display A/D Readings</p> <p>Note: A/D reading without a load. Look for a low stable weight reading less than 10 lbs and that is not drifting or unstable.</p> <p>Unplug each load cell and connect one at a time to see if your display becomes unstable. This will tell you which load cell needs to be replaced.</p>
	Load Cell/Calibration	(OHM out Load Cells) See Calibration procedure this service manual.
Paper Jam	Paper being torn off incorrectly	Must lift paper straight down or up at a slight angle, and do not pull out or to left or right side of paper slot (opening in door for paper).
Not printing, Paper not coming out of printer	Too much paper is curled up inside on roller	Remove paper from roller and redress paper in roller of printer mechanism.
	Installation of thermal paper	Paper may be installed upside down. Thermal paper is critical to the operation and needs to have the chemical treated side of paper facing print head.
Pink strip on paper	Almost out of paper	Time to change the thermal paper.

Appendix

Shipping Packing Materials

Mast Assembly

Welch Allyn Part Number	Welch Allyn Part Number Description
727288	PACKING, CARTON BOX BODY, MAST, SCALE-T
727390	PACKING, FOAM INSERTS, MAST, SCALE-T
727385	PACKING, D-CELL BATT, BOX, SCALE-T
727289	PACKING, CARTON BOX COVER, MAST, SCALE-T

Base Assembly

5002

Welch Allyn Part Number	Welch Allyn Part Number Description
727391	CARTON, BOTTOM-BASE
727393	5002 T&B INSERT
727394	5002 CORNER POST
727395	5002 WHEEL INSERT
727396	PACKING, INSERT HOLD-DOWN,5002, SCALE-T
727392	PACKING, CARTON BOX COVER, 5002, SCALE-T

5702

Welch Allyn Part Number	Welch Allyn Part Number Description
727655	PACKING, CARTON BOX BODY, 5702/6002
727657	PACKING, INSERT CORNER, 5702/6002, SCALE
727652	PACKING, INSERT BOTTOM, 5702/6002, SCALE
727658	PACKING, INSERT PAD, 5702/6002, SCALE-T
727653	PACKING, INSERT TRAY, 5702/6002, SCALE-T
727395	PACKING, INSERT WHEEL,5002, SCALE-T
727654	PACKING, INSERT HOLD-DOWN, 5702/6002
727656	PACKING, CARTON BOX COVER, 5702/6002

5122

Welch Allyn Part Number	Welch Allyn Part Number Description
727397	PACKING, CARTON BOX, 5122, SCALE-T
727398	PACKING, INSERT, CORNER, 5122, SCALE-T
727399	PACKING, INSERT, BOTTOM, 5122, SCALE-T
727400	PACKING, STUFFER HOLDDOWN, 5122, SCALE-T
726493	PACKING, INT, EXTRA FLAP, 5122, SCALE-T

6002

Welch Allyn Part Number	Welch Allyn Part Number Description
727655	PACKING, CARTON BOX BODY, 5702/6002
727657	PACKING, INSERT CORNER, 5702/6002, SCALE

727652	PACKING, INSERT BOTTOM, 5702/6002, SCALE
727658	PACKING, INSERT PAD, 5702/6002, SCALE-T
727653	PACKING, INSERT TRAY, 5702/6002, SCALE-T
727395	PACKING, INSERT WHEEL,5002, SCALE-T
727654	PACKING, INSERT HOLD-DOWN, 5702/6002
727656	PACKING, CARTON BOX COVER, 5702/6002

6702

6702W/SP Platform Assy

Welch Allyn Part Number	Welch Allyn Part Number Description
729349	6702W_SP Platform Body
729350	6702W_SP Platform Cover
749517	6702W_SP Platform Top_Bottom Support
749518	6702W_SP Platform Side Filler

6702 Base and Platform Assy

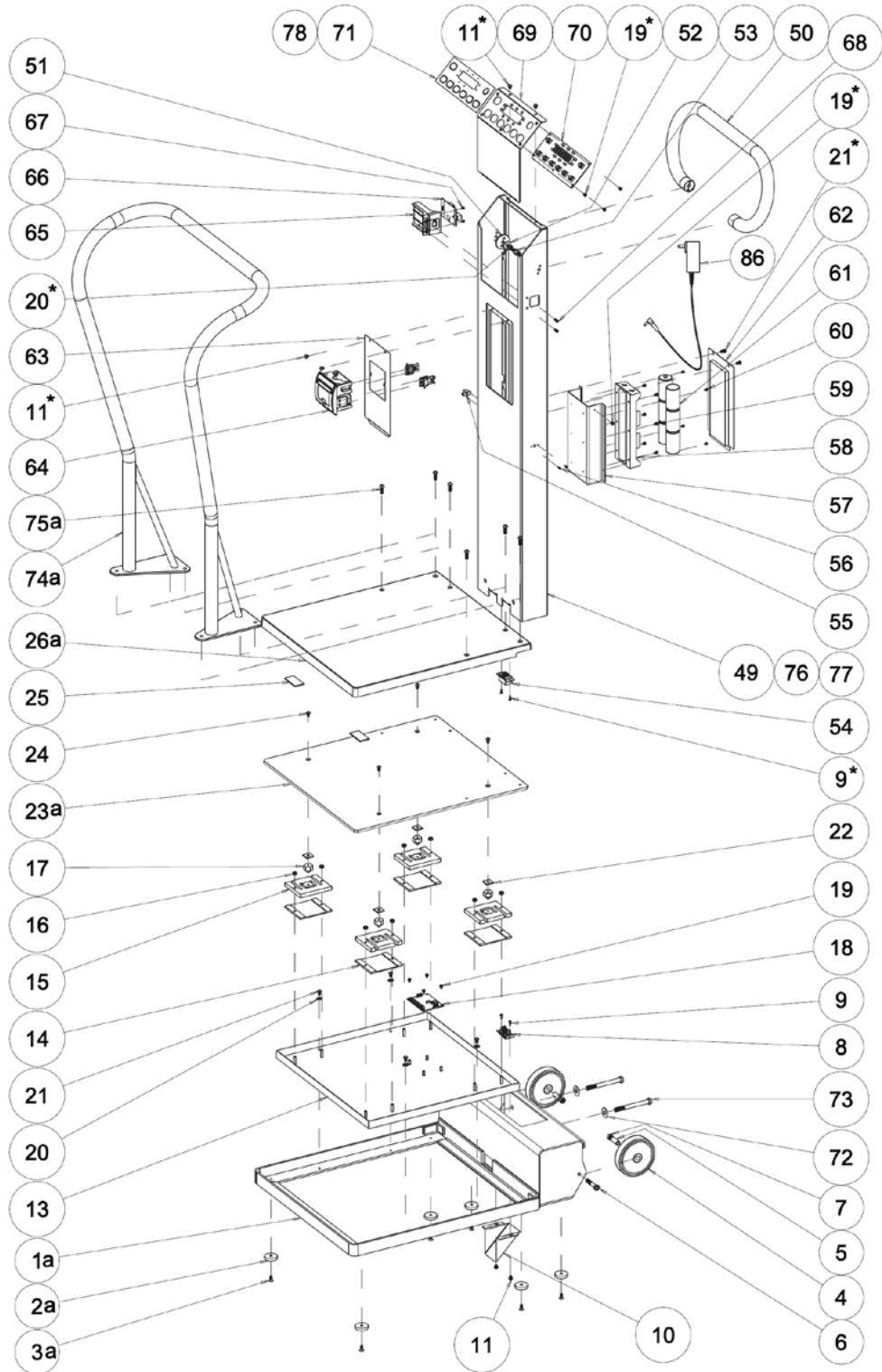
Welch Allyn Part Number	Welch Allyn Part Number Description
729341	6702 Base Scale - Body
729342	6702 Base Scale - Cover
729343	6702 Bottom Support Insert
729344	6702 Platform Support and Side Filler
729345	6702 Back Filler
729346	6702 Front Filler
729347	6702 Top Hold Down

6702W/SP Base Assy

Welch Allyn Part Number	Welch Allyn Part Number Description
729341	6702 Base Scale - Body
729342	6702 Base Scale - Cover
729343	6702 Bottom Support Insert
729344	6702 Platform Support and Side Filler
729345	6702 Back Filler
729346	6702 Front Filler
729347	6702 Top Hold Down
729348	6702W_SP Platform Replacement

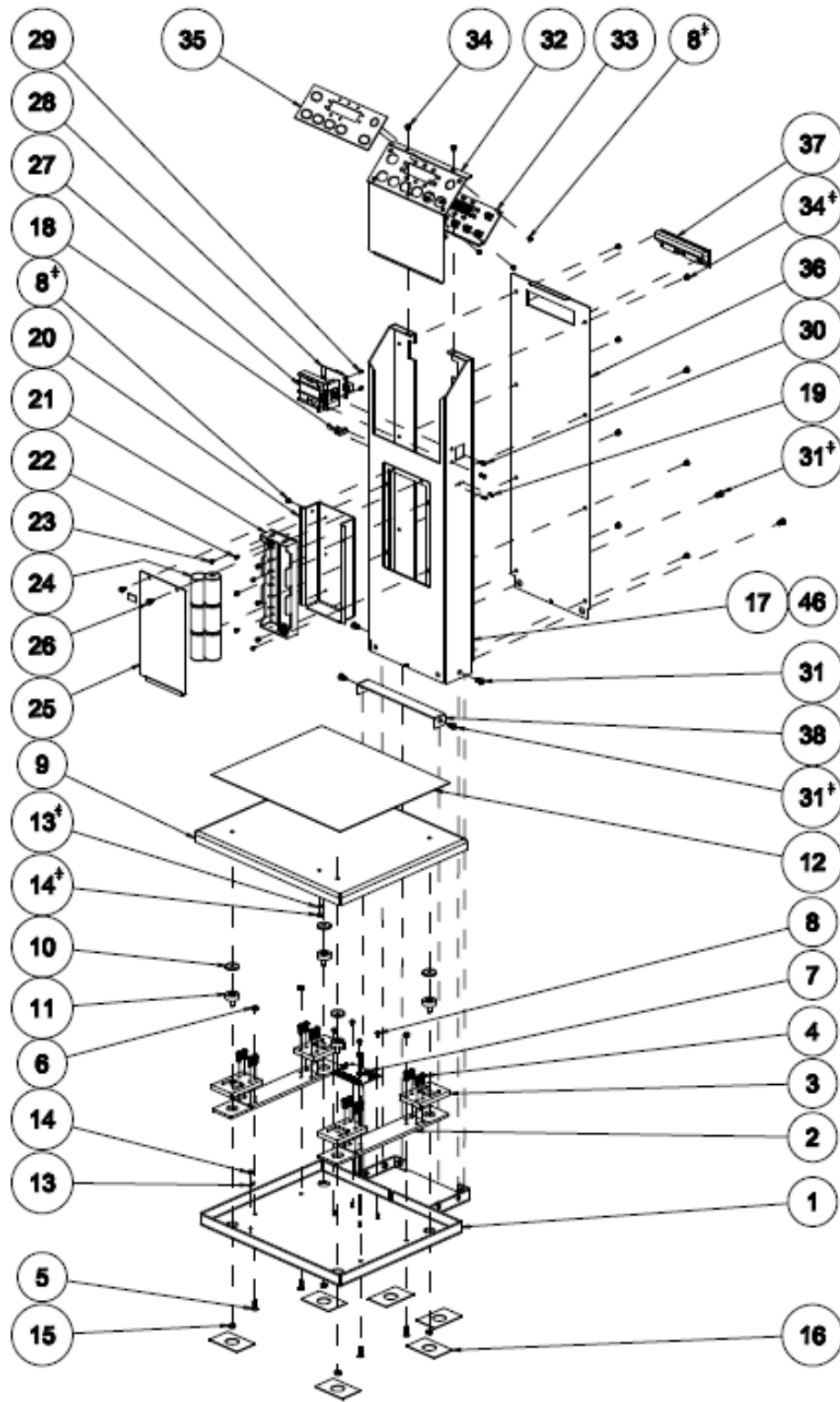
Full Assembly Exploded Views

5002



Unique Identifier	Welch Allyn Part Number	Qty	Welch Allyn Part Number Description
1a	412662	1	BASE WELDMENT 5002 SCALE-T
2a	139041	6	WASHER FLAT NYLON 1 1/4" X 1/4"
3a	130060	6	SCREW 10-32X1/2 FHS FOR DELRON
4	50502	2	WHEEL 4"
5	50314	2	BUSHING, WHEEL 5/16" X 1"
6	50614	2	SCW 5-16-24X1 3/4 HEX CS GRD 8,NICK
7	52523	2	NUT,5/16-24 HEX NKL
8	412469	1	HARNESS INTERIOR BASE LONG SCALE-T
9	106100-4	4	SCREW 4-40 x .380 PAN PHILLIPS
10	039325W	1	CABLE GUARD
11	130212	6	10-32 X 1/4 SCREW - BHMS SOC
13	726613	1	BOTTOM PAN 5002, SCALE-T
14	726614	4	PLATE, OVERLOAD PROTECT, 500LB-DWB
15	726615	4	LOAD CELL 500 LB DWB-SCALE-T
16	106137-4	8	NUT,10-32 EXTLOCK
17	133110	4	MOUNT METAL LOAD
18	726349	1	PCBA MEASUREMENT BOARD-SCALE-T
19	48611	10	SCW, 6-32 X 1/4" PHMS SEMS, NICKEL
20	33004	6	WSH 1/4 STEEL SPLIT LOCK
21	130237	6	SCW 10-32X3/8 PHIL RND MS SS
22	50509	4	1/8 THICK EAR SPACER 3/4" X 3/4"
23a	50215	1	PLATE TOP 5002
24	40408	4	BHSCS 10-32 X 3/8 18-8 STAINLESS STEEL
25	725114	2	TAPE 1" DOUBLE SIDED CLOTH
26a	620003	1	DUST COVER GRAY
49	727201	1	MAST CASE, HIGH, WITH PRINTER, SCALE-T
50	039301W	1	HANDLE MAST GRAY
51	039302W	2	PIN ALIGNER MAST HANDLE
52	30374	2	WASHER, 0.318" ID X 0.738" OD X 0.062 TK
53	25066	2	BOLT. 1/4-20 X 1" HEX HEAD, SS
54	726603	1	HARNESS INTERIOR MAST COMMON SCALE-T
55	412432	1	HARNESS POWER JACK DC 2.5MM SCALE-T
56	726494	2	SCREW, 1-32 X 3/8, THREAD FORM
57	726616	1	BRACKET, MAST, BATT HLD, SCALE-T
58	412431	1	HARNESS BATT HOLDER W/GRD SCALE-T
59	24014	6	SCW, 6-32 X 1/4 " PHIL PAN STEEL NICKEL
60	130204	4	SCW, 6-32 X 1/4" FHMS UNDERCUT, ZINC
61	749201	6	"D" CELL BATTERY
62		1	SEE BATTERY ACCESS PANEL Table 1, identifier 6

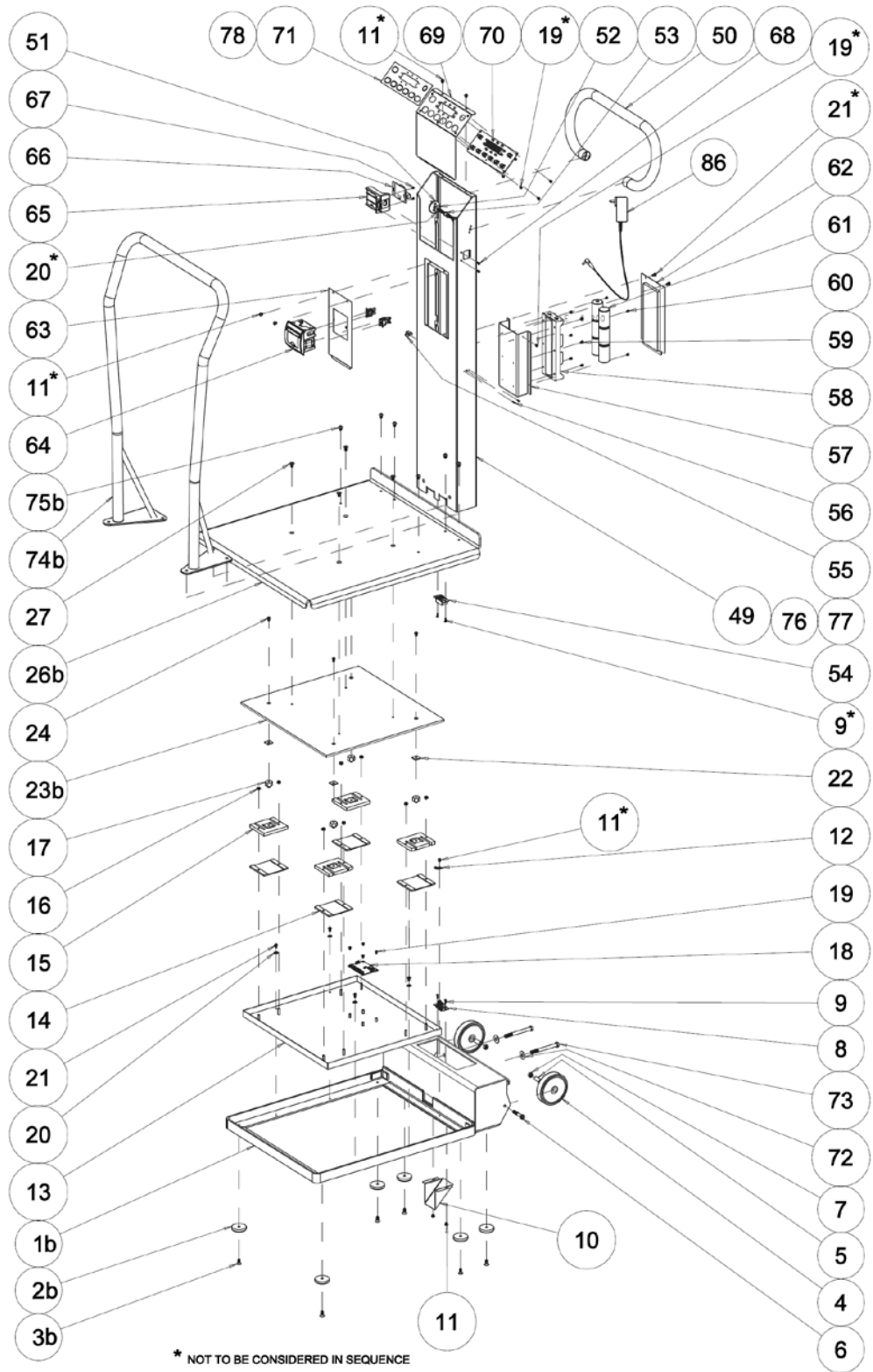
63	726609	1	PLATE, PRINTER HOLDER, MAST, SCALE-T
64	726610	1	PRINTER, MECH, MARTELL, SCALE-T
65	726555	1	BRACKET, USB PCBA, SCALE-T
66	412273	1	PCBA USB SCALE-T
67	727161	2	SCW, 3-24 X 1/4, PHILLIPS, PHP PLASTITE
68	726746	2	SCREW, 6-32X7/16", HEX RHS, ZINC STEEL
69	726611	1	COVER, MAST, READOUT PANEL, SCALE-T
70	412270	1	PCBA DISPLAY W/TACT-SWITCH SCALE-T
71	726601	1	OVERLAY, GRAPHIC, MAST, WPRINT, SCALE-T
72	132074	2	WASHER, 3/8" ID X 1" ODSS
73	130234	2	BOLT 3/8-16 X 3 3/4" HEX HEAD
74a	50241	1	HANDRAIL, 5002, SCALE-T
75a	50529	6	1/4-20 X 3/4 BUTT HD SOCK SCR
76	726600	1	MAST CASE HIGH WO PRINTER SCALE-T
77	726499	1	MAST CASE HIGH W/O PNT W/O AC SCALE-T
78	726602	1	OVERLAY GRAPHIC MAST WOPRINT SCALE-T
79	727162	9	ADHESIVE BACKED LATCHING WIRE CLIP
80	715822	5	CABLE TIE HOLDER WITH ADHESIVE
81	113P464	5	CABLE TIE 6 INCH
82	138019	8	TAPE, ALUMINUM 3/4" X 60YD
83	412430	1	HARNESS USB INTERFACE SCALE-T
84	412467	1	HARNESS DATA DISPLAY PCB TO PRINTER
85	412468	1	HARNESS POWER DISPLAY PCB TO PRINTER
86	726551	1	POWER SUPPLY, EXT, 12VDC



+ NOT TO BE CONSIDERED IN SEQUENCE

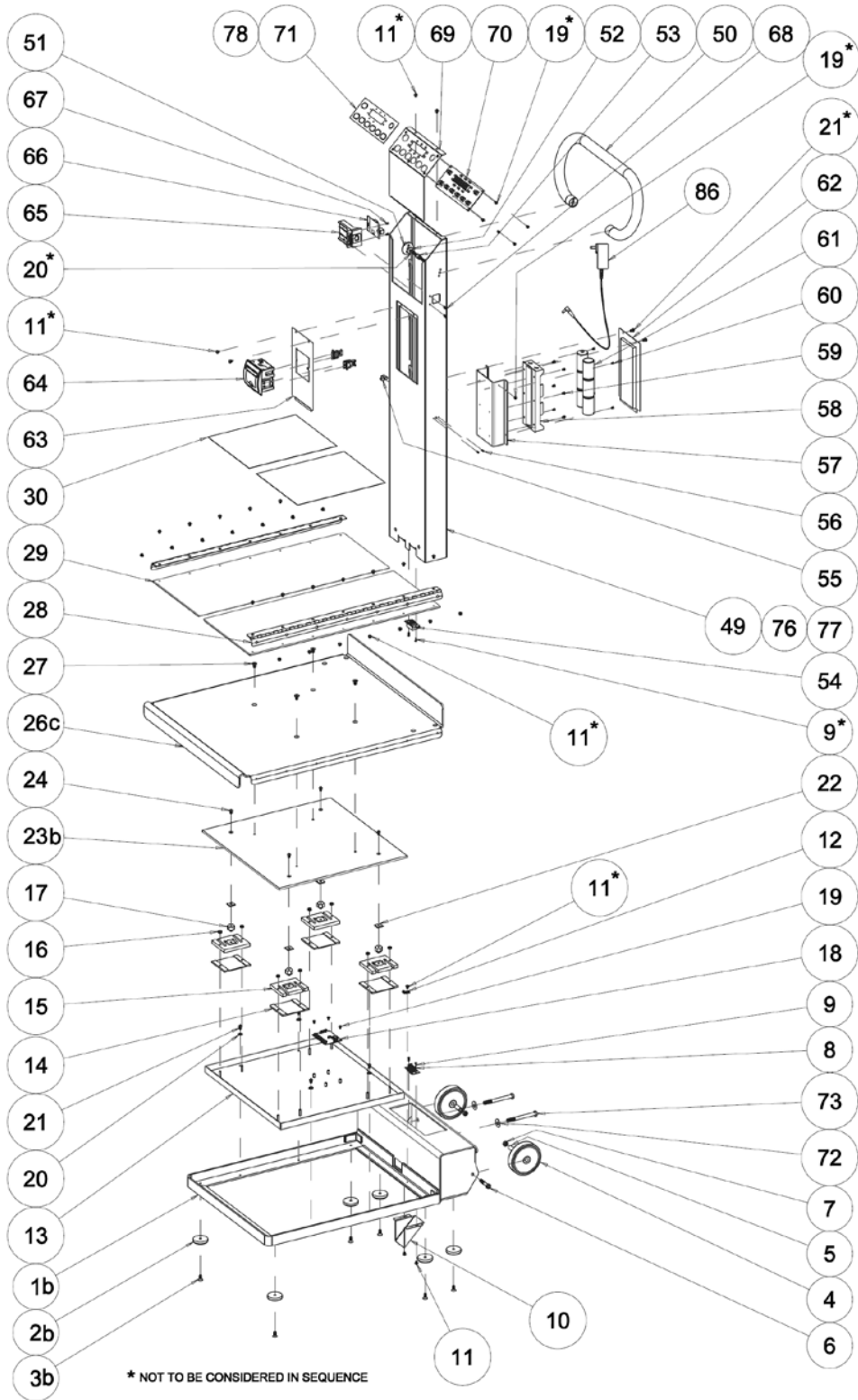
Unique Identifier	Welch Allyn Part Number	Qty	Welch Allyn Part Number Description
1	726896	1	SLIDER BASE BOTTOM PLATE SCALE-T
2	726897	2	SLIDER BASE OVERLOAD PROTECT PLATE
3	726899	4	LOADCELL GPBS-150KG 3S SCALE-T
4	726749	16	SCW, 1/4-20 X 5/8", HEX, BUTTON HEAD, SS
5	727768	4	SCW 10-32X3/4" FLAT HEAD SOC CAP SCRW
6	106137-4	4	NUT 10-32 EXTLOCK
7	726349	1	PCBA MEASUREMENT BOARD SCALE-T
8	48611	10	SCW 6-32X1/4" PHMS SEMS NICKEL
9	726895	1	SLIDER, BASE, TOP PLATE, SCALE – T
10	50518	4	WASHER 0.281" X 1" X 0.125"
11	726898	4	LOAD MOUNT ¼-20X5/8 SCALE – T
12	531021	1	SHUR STEP GRAY 12"X14" 5122
13	727306	2	HARNESS CONT GND SCALE – T
14	106137-7	2	NUT 6-32 LOCKING HEX
15	131052	4	NUT ¼-20 JAM
16	726492	6	SHUR STEP, 2" X 3", W/HOLE, SCALE – T
17	726894	1	SLIDER, MAST, SCALE – T
18	412432	1	HARNESS POWER JACK DC 2.5 MM SCALE – T
19	726494	2	SCREW, 1-32 X 3/8", RH, TORX, THREADFORM
20	726616	1	BRACKET, MAST, BATT HLD, SCALE-T
21	412431	1	HARNESS, BATT HOLDER, W/GRD, SCALE-T
22	24014	6	SCW, 6-32 X 1/4 " PHIL PAN STEEL NICKEL
23	130204	4	SCW, 6-32 X 1/4" FHMS UNDERCUT, ZINC
24	749201	6	"D" CELL BATTERY
25		1	SEE BATTERY ACCESS PANEL Table 31
26	130237	2	SCW, 10-32 X 3/8" PHIL RND MS, SS
27	726555	1	BRACKET, USB PCBA, SCALE-T
28	412273	1	PCBA, USB, SCALE-T
29	727161	2	SCW, 3-24 X 1/4, PHILLIPS, PHP PLASTITE
30	726746	2	SCREW, 6-32X7/16", HEX RHS, ZINC STEEL
31	48112	6	SCW, 1/4-20 X 1/2" BHCS, SS, PASSIVATED
32	726611	1	COVER, MAST, READOUT PANEL, SCALE-T
33	412270	1	PCBA, DISPLAY, W/TACT-SWITCH, SCALE-T
34	130212	10	10-32 X 1/4 SCREW - BHMS SOC
35	726602	1	OVERLAY, GRAPHIC, MAST, WOPRINT, SCALE-T
36	030169W	1	BACK PANEL SLIDER MAST
37	40564	1	HANDLE, RECESSED PLASTIC
38	726496	1	BRACKET, 5122 SLIDER-MAST COVER, SCALE-T
39	138019	6	TAPE, ALUMINUM 3/4" X 60YD

40	412602	1	HARNESS, LOW, D-PCA TO M-PCA, SCALE-T
41	727162	7	ADHESIVE BACKED, LATCHING, WIRE CLIP
42	715822	3	CABLE TIE HOLDER WITH ADHESIVE
43	113P464	3	CABLE TIE, 6 INCH
44	727306	1	HARNESS, CONT, GND, SCALE-T
45	412430	1	HARNESS, USB INTERFACE, SCALE-T
46	726495	1	SLIDER, MAST, WO/AC, SCALE-T



Unique Identifier	Welch Allyn Part Number	Qty	Welch Allyn Part Number Description
1b	726497	1	BASE WELDMENT 6002/6502 SCALE-T
2b	139040	6	FOOT PLASTIC I 3/4" X 3/8"
3b	726749	6	SCW, 1/4-20 X 5/8", HEX, BUTTON HEAD, SS
4	50502	2	WHEEL 4"
5	50314	2	BUSHING, WHEEL 5/16" X 1"
6	50614	2	SCW, 5-16-24 X 1 3/4" HEX CS GRD 8, NICK
7	52523	2	NUT,5/16-24 HEX NKL
8	412469	1	HARNESS INTERIOR BASE LONG SCALE-T
9	106100-4	4	SCREW 4-40 X .380 PAN PHILLIPS
10	039325W	1	CABLE GUARD
11	130212	7	10-32 X 1/4 SCREW - BHMS SOC
12	50542	1	CLIP, METAL CABLE 3/16"
13	726613	1	BOTTOM PAN 5002, SCALE-T
14	726614	4	PLATE, OVERLOAD PROTECT, 500LB-DWB
15	726615	4	LOAD CELL 500 LB DWB-SCALE-T
16	106137-4	8	NUT,10-32 EXTLOCK
17	133110	4	MOUNT METAL LOAD
18	726349	1	PCBA MEASUREMENT BOARD-SCALE-T
19	48611	10	SCW, 6-32 X 1/4" PHMS SEMS, NICKEL
20	33004	6	WSH 1/4 STEEL SPLIT LOCK
21	130237	6	SCW 10-32X3/8 PHIL RND MS SS
22	50509	4	1/8 THICK EAR SPACER 3/4" X 3/4"
23b	030352W	1	PLATE 6002 GPR TOP
24	40408	4	BHSCS 10-32 X 3/8 18-8 STAINLESS STEEL
26b	030208W	1	DECK PLATFORM BASE 5702
27	66164	4	1/4-20 X 1/2 FLAT HD SOCK SCR
49	727201	1	MAST CASE, HIGH, WITH PRINTER, SCALE-T
50	039301W	1	HANDLE MAST GRAY
51	039302W	2	PIN ALIGNER MAST HANDLE
52	30374	2	WASHER, 0.318" ID X 0.738" OD X 0.062 TK
53	25066	2	BOLT. 1/4-20 X 1" HEX HEAD, SS
54	726603	1	HARNESS INTERIOR MAST COMMON SCALE-T
55	412432	1	HARNESS POWER JACK DC 2.5MM SCALE-T
56	726494	2	SCREW 1/32X3/8 THREAD FORM
57	726616	1	BRACKET, MAST, BATT HLD, SCALE-T
58	412431	1	HARNESS BATT HOLDER W/GRD SCALE-T
59	24014	6	SCW 6-32X1/4 PHIL PAN STEEL NICKEL
60	130204	4	SCW, 6-32 X 1/4" FHMS UNDERCUT, ZINC
61	749201	6	"D" CELL BATTERY

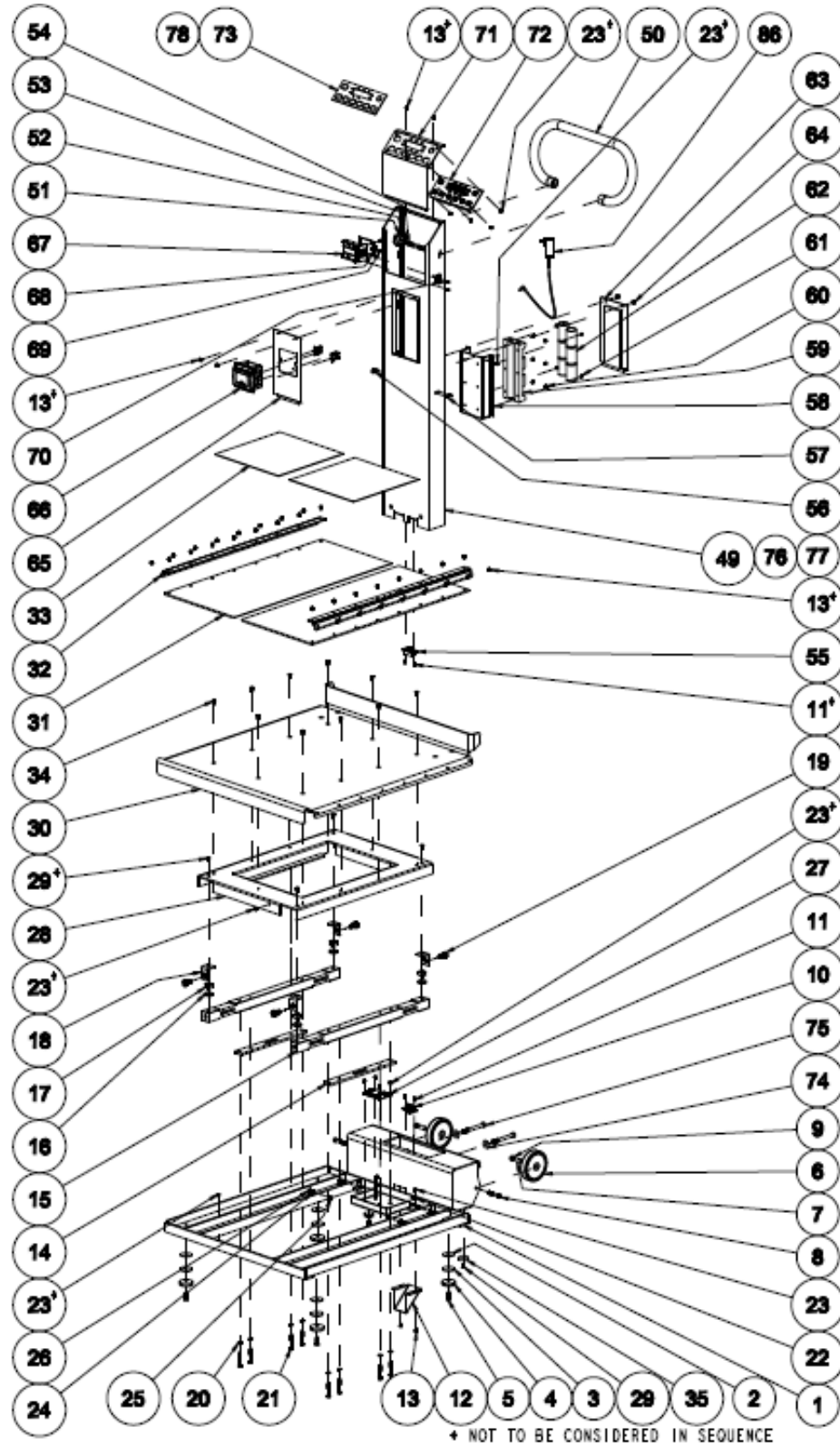
62		1	SEE BATTERY ACCESS PANEL Table 1, identifier 6
63	726609	1	PLATE, PRINTER HOLDER, MAST, SCALE-T
64	726610	1	PRINTER, MECH, MARTELL, SCALE-T
65	726555	1	BRACKET, USB PCBA, SCALE-T
66	412273	1	PCBA USB SCALE-T
67	727161	2	SCREW 3/24X1/4 PHILLIPS PHP PLASTITE
68	726746	2	SCREW, 6-32X7/16", HEX RHS, ZINC STEEL
69	726611	1	COVER, MAST, READOUT PANEL, SCALE-T
70	412270	1	PCBA DISPLAY W/TACT-SWITCH SCALE-T
71	726601	1	OVERLAY, GRAPHIC, MAST, WPRINT, SCALE-T
72	132074	2	WASHER, 3/8" ID X 1" ODSS
73	130234	2	BOLT 3/8-16 X 3 3/4" HEX HEAD
74b	411869	1	HANDRAIL FOR 5702 PACKED
75b	23335	6	SCW 1/4-20X3/8" BHCS SOCKET
76	726600	1	MAST CASE HIGH WO PRINTER SCALE-T
77	726499	1	MAST CASE HIGH W/O PNT W/O AC SCALE-T
78	726602	1	OVERLAY GRAPHIC MAST WOPRINT SCALE-T
79	727162	9	ADHESIVE BACKED LATCHING WIRE CLIP
80	715822	5	CABLE TIE HOLDER WITH ADHESIVE
81	113P464	5	CABLE TIE 6 INCH
82	138019	8	TAPE, ALUMINUM 3/4" X 60YD
83	412430	1	HARNESS USB INTERFACE SCALE-T
84	412467	1	HARNESS DATA DISPLAY PCB TO PRINTER
85	412468	1	HARNESS POWER DISPLAY PCB TO PRINTER
86	726551	1	POWER SUPPLY, EXT, 12VDC



Unique Identifier	Welch Allyn Part Number	Qty	Welch Allyn Part Number Description
1b	726497	1	BASE WELDMENT 6002/6502 SCALE-T
2b	139040	6	FOOT PLASTIC I 3/4" X 3/8"
3b	726749	6	SCW, 1/4-20 X 5/8", HEX, BUTTON HEAD, SS
4	50502	2	WHEEL 4"
5	50314	2	BUSHING, WHEEL 5/16" X 1"
6	50614	2	SCW 5-16-24X1 3/4 HEX CS GRD 8,NICK
7	52523	2	NUT,5/16-24 HEX NKL
8	412469	1	HARNESS INTERIOR BASE LONG SCALE-T
9	106100-4	4	SCREW 4-40 x .380 PAN PHILLIPS
10	039325W	1	CABLE GUARD
11	130212	35	10-32 X 1/4 SCREW - BHMS SOC
12	50542	1	CLIP, METAL CABLE 3/16"
13	726613	1	BOTTOM PAN 5002, SCALE-T
14	726614	4	PLATE, OVERLOAD PROTECT, 500LB-DWB
15	726615	4	LOAD CELL 500 LB DWB-SCALE-T
16	106137-4	8	NUT,10-32 EXTLOCK
17	133110	4	MOUNT METAL LOAD
18	726349	1	PCBA MEASUREMENT BOARD-SCALE-T
19	48611	10	SCW, 6-32 X 1/4" PHMS SEMS, NICKEL
20	33004	6	WSH 1/4 STEEL SPLIT LOCK
21	130237	6	SCW 10-32X3/8 PHIL RND MS SS
22	50509	4	1/8 THICK EAR SPACER 3/4" X 3/4"
23b	030352W	1	PLATE 6002 GPR TOP
24	40408	4	BHSCS 10-32 X 3/8 18-8 STAINLESS STEEL
26c	039300W	1	PLATFORM DECK 6002 SN>4000
27	66164	4	1/4-20 X 1/2 FLAT HD SOCK SCR
28	020003W	2	HINGE PIANO 6002 RAMP
29	030019W	2	RAMP 6002
30	531011	2	SHUR-STEP GRAY 12"X9 3/4"(2 PCS)
49	727201	1	MAST CASE, HIGH, WITH PRINTER, SCALE-T
50	039301W	1	HANDLE MAST GRAY
51	039302W	2	PIN ALIGNER MAST HANDLE
52	30374	2	WASHER, 0.318" ID X 0.738" OD X 0.062 TK
53	25066	2	BOLT. 1/4-20 X 1" HEX HEAD, SS
54	726603	1	HARNESS INTERIOR MAST COMMON SCALE-T
55	412432	1	HARNESS POWER JACK DC 2.5MM SCALE-T
56	726494	2	SCREW 1/32X3/8 THREAD FORM
57	726616	1	BRACKET, MAST, BATT HLD, SCALE-T
58	412431	1	HARNESS BATT HOLDER W/GRD SCALE-T

59	24014	6	SCW, 6-32 X 1/4 " PHIL PAN STEEL NICKEL
60	130204	4	SCW, 6-32 X 1/4" FHMS UNDERCUT, ZINC
61	749201	6	"D" CELL BATTERY
62		1	SEE BATTERY ACCESS PANEL Table 1, identifier 6
63	726609	1	PLATE, PRINTER HOLDER, MAST, SCALE-T
64	726610	1	PRINTER, MECH, MARTELL, SCALE-T
65	726555	1	BRACKET, USB PCBA, SCALE-T
66	412273	1	PCBA USB SCALE-T
67	727161	2	SCREW 3/24X1/4 PHILLIPS PHP PLASTITE
68	726746	2	SCREW, 6-32X7/16", HEX RHS, ZINC STEEL
69	726611	1	COVER, MAST, READOUT PANEL, SCALE-T
70	412270	1	PCBA DISPLAY W/TACT-SWITCH SCALE-T
71	726601	1	OVERLAY, GRAPHIC, MAST, WPRINT, SCALE-T
72	132074	2	WASHER, 3/8" ID X 1" ODSS
73	130234	2	BOLT 3/8-16 X 3 3/4" HEX HEAD
76	726600	1	MAST CASE HIGH WO PRINTER SCALE-T
77	726499	1	MAST CASE HIGH W/O PNT W/O AC SCALE-T
78	726602	1	OVERLAY GRAPHIC MAST WOPRINT SCALE-T
79	727162	9	ADHESIVE BACKED LATCHING WIRE CLIP
80	715822	5	CABLE TIE HOLDER WITH ADHESIVE
81	113P464	5	CABLE TIE 6 INCH
82	138019	8	TAPE ALUMINUM 3/4X60YD
83	412430	1	HARNESS USB INTERFACE SCALE-T
84	412467	1	HARNESS DATA DISPLAY PCB TO PRINTER
85	412468	1	HARNESS POWER DISPLAY PCB TO PRINTER
86	726551	1	POWER SUPPLY, EXT, 12VDC

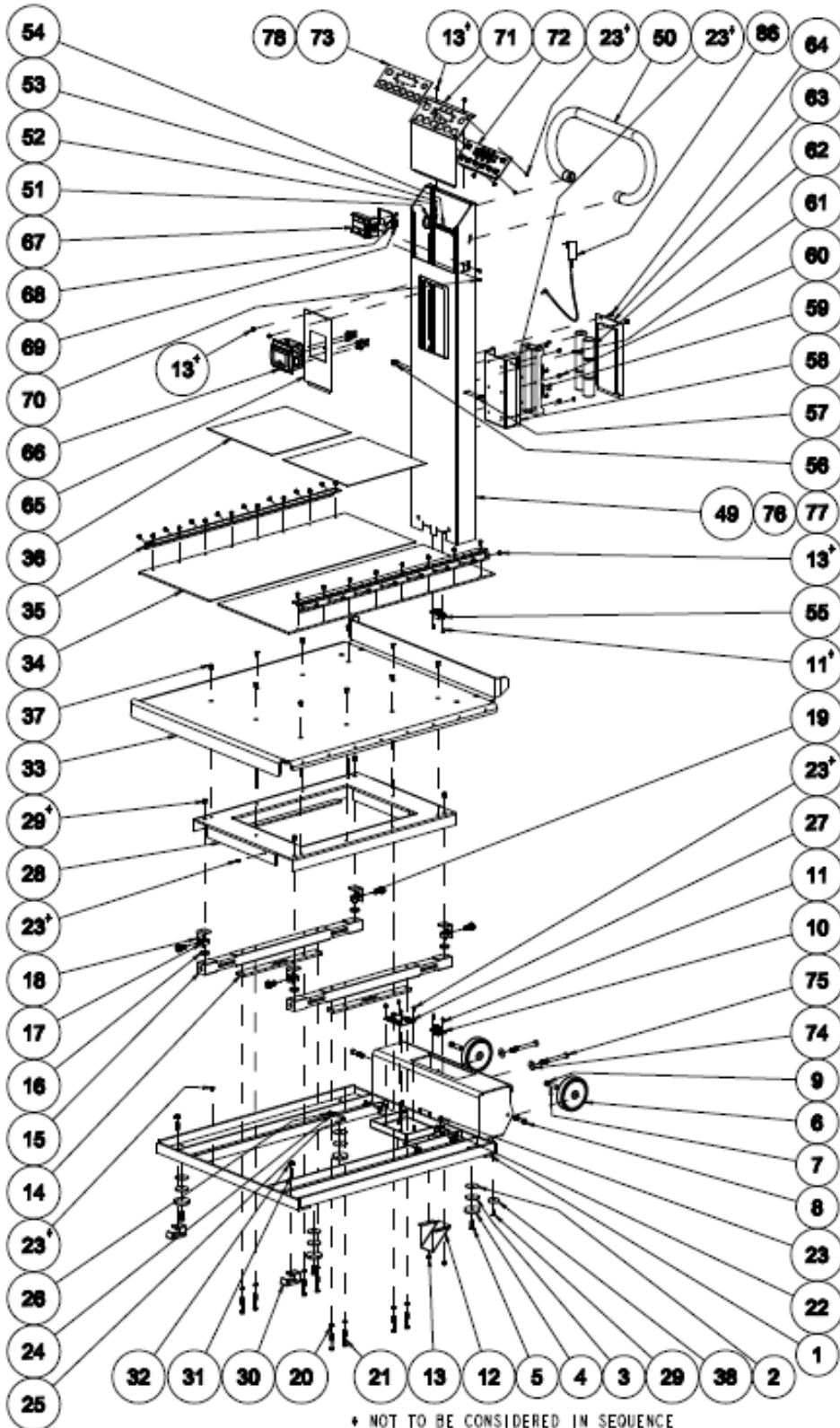
6702



Unique Identifier	Welch Allyn Part Number	Qty	Welch Allyn Part Number Description
1	726498	1	WELDMENT, BASE, 6702, SCALE-T
2	CS-206	4	WASHER, FENDER .28" X 1.5"
3	726340	4	WSHR,0.281"ID,1.5"OD,0.11"- 0.14THK
4	139040	4	FOOT PLASTIC I 3/4" X 3/8"
5	60624	4	SCREW 1/4-20 X 1" FHSS
6	50502	2	WHEEL 4"
7	50314	2	BUSHING, WHEEL 5/16" X 1"
8	50614	2	SCW, 5-16-24 X 1 3/4" HEX CS GRD 8, NICK
9	52523	2	NUT 5/16-24 HEX NKL
10	412601	1	HARNESS INTERIOR BASE SHORT SCALE-T
11	106100-4	4	SCREW 4-40 X .380 PAN PHILLIPS
12	039325W	1	CABLE GUARD
13	130212	38	10-32 X 1/4 SCREW - BHMS SOC
14	727292	2	LOAD CELL SPACER 4HOLE SCALE-T
15	727014	2	LOAD CELL, DEBBW-1000LB, 3S, SCALE-T
16	726348	4	WASHER,1/4" ID X 1"OD X 0.060"-0.090"TH
17	133086	4	LOADMOUNT 3/8" X 1" WITH 3/8"
18	900001W	4	BRACKET, ISOLATION LIMITER
19	726341	4	SHOULDER SCREW 1/2" OD X 1/4" L
20	727578	8	1/4 SPLIT RING LOCKWASHER, SS
21	727547	8	SCREW, 1/4-20 X 1.75 HHCS SS
22	50542	6	CLIP, METAL CABLE 3/16"
23	48611	14	SCW, 6-32 X 1/4" PHMS SEMS, NICKEL
24	N/A	N/A	Not used. Replaced with 50542.
25	48113	4	SCW, 6-32 X 3/8" PHIL PAN HD NICKEL
26	106137-7	4	NUT 6-32 LOCKING HEX
27	726349	1	PCBA, MEASUREMENT BOARD, SCALE-T
28	727307	1	BRACKET, LOADCELL, 6702, SCALE-T
29	130060	6	SCREW 10-32 X 1/2" FHS FOR DELRON
30	039311W	1	PLATFORM, 6702 28" X 31"
31	039312W	2	PLATFORM RAMP 29" 6702
32	029073W	2	PLATFORM HINGE 29" 6702
33	531012	2	SHUR-STEP MAT-12" X 11 3/4" (2 PCS)
34	30378	10	10-24 X 1/2 FH SOC SCR
35	139041	2	WASHER FLAT NYLON 1 1/4" X 1/4"
49	727201	1	MAST CASE, HIGH, WITH PRINTER, SCALE-T
50	039301W	1	HANDLE MAST GRAY
51	039302W	2	PIN ALIGNER MAST HANDLE

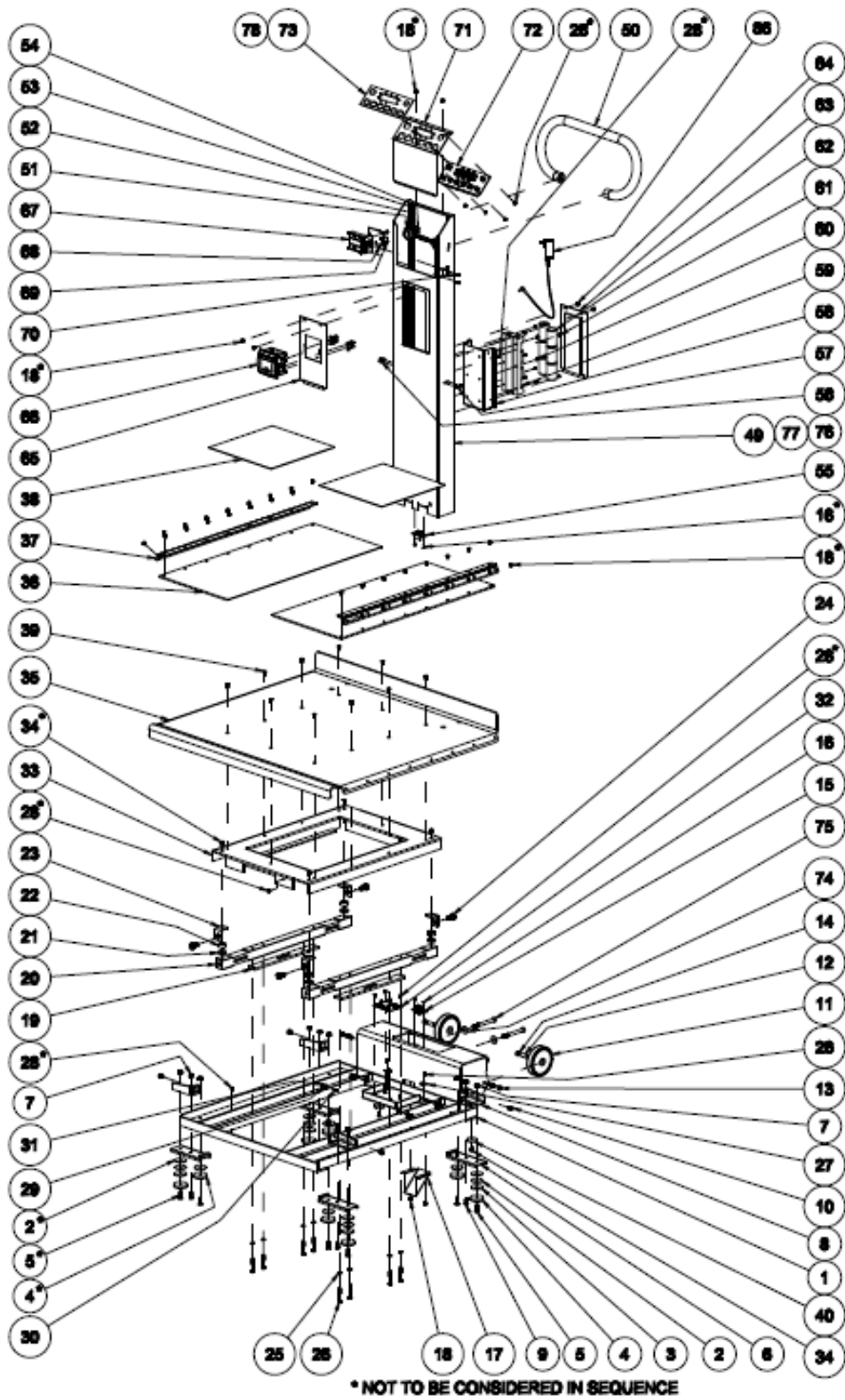
52	30374	2	WASHER, 0.318" ID X 0.738" OD X 0.062 TK
53	33004	2	WSH, 1/4 STEEL SPLIT LOCK
54	25066	2	BOLT. 1/4-20 X 1" HEX HEAD, SS
55	726603	1	HARNESS, INTERIOR, MAST, COMMON, SCALE-T
56	412432	1	HARNESS, POWER JACK, DC, 2-5MM, SCALE-T
57	726494	2	SCREW, 1-32 X 3/8", RH, TORX, THREADFORM
58	726616	1	BRACKET, MAST, BATT HLD, SCALE-T
59	412431	1	HARNESS, BATT HOLDER, W/GRD, SCALE-T
60	24014	6	SCW, 6-32 X 1/4 " PHIL PAN STEEL NICKEL
61	130204	4	SCW, 6-32 X 1/4" FHMS UNDERCUT, ZINC
62	749201	6	"D" CELL BATTERY
63		1	SEE BATTERY ACCESS PANEL Table 1, identifier 6
64	130237	2	SCW, 10-32 X 3/8" PHIL RND MS, SS
65	726609	1	PLATE, PRINTER HOLDER, MAST, SCALE-T
66	726610	1	PRINTER, MECH, MARTELL, SCALE-T
67	726555	1	BRACKET, USB PCBA, SCALE-T
68	412273	1	PCBA, USB, SCALE-T
69	727161	2	SCW, 3-24 X 1/4, PHILLIPS, PHP PLASTITE
70	726746	2	SCREW, 6-32X7/16", HEX RHS, ZINC STEEL
71	726611	1	COVER, MAST, READOUT PANEL, SCALE-T
72	412270	1	PCBA, DISPLAY, W/TACT-SWITCH, SCALE-T
73	726601	1	OVERLAY, GRAPHIC, MAST, WPRINT, SCALE-T
74	132074	2	WASHER, 3/8" ID X 1" ODSS
75	130234	2	BOLT 3/8-16 X 3 3/4" HEX HEAD
76	726600	1	MAST CASE, HIGH, WO PRINTER, SCALE-T
77	726499	1	MAST CASE, HIGH, W/O PNT W/O AC, SCALE-T
78	726602	1	OVERLAY, GRAPHIC, MAST, WOPRINT, SCALE-T
79	727162	10	ADHESIVE BACKED, LATCHING, WIRE CLIP
80	715822	4	CABLE TIE HOLDER WITH ADHESIVE
81	113P464	4	CABLE TIE, 6 INCH
82	727306	1	HARNESS, CONT, GND, SCALE-T
83	412430	1	HARNESS, USB INTERFACE, SCALE-T
84	412467	1	HARNESS, DATA, DISPLAY PCB TO PRINTER
85	412468	1	HARNESS, POWER, DISPLAY PCB TO PRINTER
86	726551	1	POWER SUPPLY, EXT, 12VDC

6702W



Unique Identifier	Welch Allyn Part Number	Qty	Welch Allyn Part Number Description
1	726498	1	WELDMENT, BASE, 6702, SCALE-T
2	CS-206	4	WASHER, FENDER .28" X 1.5"
3	726340	4	WSHR,0.281"ID,1.5"OD,0.11"- 0.14THK
4	139040	4	FOOT PLASTIC I 3/4" X 3/8"
5	60624	4	SCREW 1/4-20 X 1" FHSS
6	50502	2	WHEEL 4"
7	50314	2	BUSHING, WHEEL 5/16" X 1"
8	50614	2	SCW, 5-16-24 X 1 3/4" HEX CS GRD 8, NICK
9	52523	2	NUT 5/16-24 HEX NKL
10	412601	1	HARNES INTERIOR BASE SHORT SCALE-T
11	106100-4	4	SCREW 4-40 X .380 PAN PHILLIPS
12	039325W	1	CABLE GUARD
13	130212	38	10-32 X 1/4 SCREW - BHMS SOC
14	727292	2	LOAD CELL SPACER 4HOLE SCALE-T
15	727014	2	LOAD CELL, DEBBW-1000LB, 3S, SCALE-T
16	726348	4	WASHER,1/4" ID X 1"OD X 0.060"-0.090"TH
17	133086	4	LOADMOUNT 3/8" X 1" WITH 3/8"
18	900001W	4	BRACKET, ISOLATION LIMITER
19	726341	4	SHOULDER SCREW 1/2" OD X 1/4" L
20	727578	8	1/4 SPLIT RING LOCKWASHER, SS
21	727547	8	SCREW, 1/4-20 X 1.75 HHCS SS
22	50542	6	CLIP, METAL CABLE 3/16"
23	48611	14	SCW, 6-32 X 1/4" PHMS SEMS, NICKEL
24	N/A	N/A	Not used. Replaced with 50542.
25	48113	4	SCW, 6-32 X 3/8" PHIL PAN HD NICKEL
26	106137-7	4	NUT 6-32 LOCKING HEX
27	726349	1	PCBA, MEASUREMENT BOARD, SCALE-T
28	727307	1	BRACKET, LOADCELL, 6702, SCALE-T
29	130060	6	SCREW 10-32 X 1/2" FHS FOR DELRON
30	727711	2	CLIP, 6702W BASE EXTENDER
31	412873	2	1/4-20 X 1 IN SET SCREW
32	726461	2	NUT, 1/4-20 SER FLNG, GR5 ZINC SCALE-T
33	039343W	1	PLATFORM, EXT LENGTH 6702
34	039344W	2	RAMP, EXT LENGTH 6702
35	029073W	2	PLATFORM HINGE 29" 6702
36	531012	2	SHUR-STEP MAT-12" X 11 3/4" (2 PCS)
37	30378	10	10-24 X 1/2 FH SOC SCR
38	139041	2	WASHER FLAT NYLON 1 1/4" X 1/4"
49	727201	1	MAST CASE, HIGH, WITH PRINTER, SCALE-T

50	039301W	1	HANDLE MAST GRAY
51	039302W	2	PIN ALIGNER MAST HANDLE
52	30374	2	WASHER, 0.318" ID X 0.738" OD X 0.062 TK
53	33004	2	WSH, 1/4 STEEL SPLIT LOCK
54	25066	2	BOLT. 1/4-20 X 1" HEX HEAD, SS
55	726603	1	HARNESS, INTERIOR, MAST, COMMON, SCALE-T
56	412432	1	HARNESS, POWER JACK, DC, 2-5MM, SCALE-T
57	726494	2	SCREW, 1-32 X 3/8", RH, TORX, THREADFORM
58	726616	1	BRACKET, MAST, BATT HLD, SCALE-T
59	412431	1	HARNESS, BATT HOLDER, W/GRD, SCALE-T
60	24014	6	SCW, 6-32 X 1/4 " PHIL PAN STEEL NICKEL
61	130204	4	SCW, 6-32 X 1/4" FHMS UNDERCUT, ZINC
62	749201	6	"D" CELL BATTERY
63		1	SEE BATTERY ACCESS PANEL Table 1, identifier 6
64	130237	2	SCW, 10-32 X 3/8" PHIL RND MS, SS
65	726609	1	PLATE, PRINTER HOLDER, MAST, SCALE-T
66	726610	1	PRINTER, MECH, MARTELL, SCALE-T
67	726555	1	BRACKET, USB PCBA, SCALE-T
68	412273	1	PCBA, USB, SCALE-T
69	727161	2	SCW, 3-24 X 1/4, PHILLIPS, PHP PLASTITE
70	726746	2	SCREW, 6-32X7/16", HEX RHS, ZINC STEEL
71	726611	1	COVER, MAST, READOUT PANEL, SCALE-T
72	412270	1	PCBA, DISPLAY, W/TACT-SWITCH, SCALE-T
73	726601	1	OVERLAY, GRAPHIC, MAST, WPRINT, SCALE-T
74	132074	2	WASHER, 3/8" ID X 1" ODSS
75	130234	2	BOLT 3/8-16 X 3 3/4" HEX HEAD
76	726600	1	MAST CASE, HIGH, WO PRINTER, SCALE-T
77	726499	1	MAST CASE, HIGH, W/O PNT W/O AC, SCALE-T
78	726602	1	OVERLAY, GRAPHIC, MAST, WOPRINT, SCALE-T
79	727162	10	ADHESIVE BACKED, LATCHING, WIRE CLIP
80	715822	4	CABLE TIE HOLDER WITH ADHESIVE
81	113P464	4	CABLE TIE, 6 INCH
82	727306	1	HARNESS, CONT, GND, SCALE-T
83	412430	1	HARNESS, USB INTERFACE, SCALE-T
84	412467	1	HARNESS, DATA, DISPLAY PCB TO PRINTER
85	412468	1	HARNESS, POWER, DISPLAY PCB TO PRINTER
86	726551	1	POWER SUPPLY, EXT, 12VDC



Unique Identifier	Welch Allyn Part Number	Qty	Welch Allyn Part Number Description
1	726498	1	WELDMENT, BASE, 6702, SCALE-T
2	CS-206	8	WASHER, FENDER .28" X 1.5"
3	726340	8	WSHR,0.281"ID,1.5"OD,0.11"- 0.14THK
4	139040	8	FOOT PLASTIC I 3/4" X 3/8"
5	60624	8	SCREW 1/4-20 X 1" FHSS
6	726253	4	BRACKET, 6702-SP STABILIZER SCALE-T
7	726461	12	NUT, 1/4-20 SER FLNG LOCK, SS
8	700000W	4	L-ANGLE SUPPORT ASSY, 6702SP
9	50529	4	1/4-20 X 3/4 BUTT HD SOCK SCR
10	726773	4	SCW 5/16-18 1/2" ROUNDED CAP, VIBRATITE
11	50502	2	WHEEL 4"
12	50314	2	BUSHING, WHEEL 5/16" X 1"
13	50614	2	SCW, 5-16-24 X 1 3/4" HEX CS GRD 8, NICK
14	52523	2	NUT, 5/16-24 HEX NKL
15	412601	1	HARNESS, INTERIOR, BASE, SHORT, SCALE-T
16	106100-4	4	SCREW, 4-40 x .380 PHP
17	039325W	1	CABLE GUARD
18	130212	38	10-32 X 1/4 SCREW - BHMS SOC
19	727292	2	LOAD CELL SPACER 4HOLE SCALE-T
20	727014	2	LOAD CELL, DEBBW-1000LB, 3S, SCALE-T
21	726348	4	WASHER,1/4" ID X 1"OD X 0.060"-0.090"TH
22	133086	4	LOADMOUNT 3/8" X 1" WITH 3/8"
23	900001W	4	BRACKET, ISOLATION LIMITER
24	726341	4	SHOULDER SCREW 1/2" OD X 1/4" L
25	727578	8	1/4 SPLIT RING LOCKWASHER, SS
26	727547	8	SCREW, 1/4-20 X 1.75 HHCS SS
27	50542	6	CLIP, METAL CABLE 3/16"
28	48611	14	SCW, 6-32 X 1/4" PHMS SEMS, NICKEL
29	N/A	N/A	Not used. Replaced with 50542.
30	48113	4	SCW, 6-32 X 3/8" PHIL PAN HD NICKEL
31	106137-7	4	NUT 6-32 LOCKING HEX
32	726349	1	PCBA, MEASUREMENT BOARD, SCALE-T
33	727307	1	BRACKET, LOADCELL, 6702, SCALE-T
34	130060	6	SCREW 10-32 X 1/2" FHS FOR DELRON
35	039319W	1	DECK, OVERSIZE 30" X 35"
36	039312W	2	PLATFORM RAMP 29" 6702
37	029073W	2	PLATFORM HINGE 29" 6702
38	531012	2	SHUR-STEP MAT-12" X 11 3/4" (2 PCS)
39	30378	10	10-24 X 1/2 FH SOC SCR

40	139041	2	WASHER FLAT NYLON 1 1/4" X 1/4"
49	727201	1	MAST CASE, HIGH, WITH PRINTER, SCALE-T
50	039301W	1	HANDLE MAST GRAY
51	039302W	2	PIN ALIGNER MAST HANDLE
52	30374	2	WASHER, 0.318" ID X 0.738" OD X 0.062 TK
53	33004	2	WSH, 1/4 STEEL SPLIT LOCK
54	25066	2	BOLT. 1/4-20 X 1" HEX HEAD, SS
55	726603	1	HARNESS, INTERIOR, MAST, COMMON, SCALE-T
56	412432	1	HARNESS, POWER JACK, DC, 2-5MM, SCALE-T
57	726494	2	SCREW, 1-32 X 3/8", RH, TORX, THREADFORM
58	726616	1	BRACKET, MAST, BATT HLD, SCALE-T
59	412431	1	HARNESS, BATT HOLDER, W/GRD, SCALE-T
60	24014	6	SCW, 6-32 X 1/4 " PHIL PAN STEEL NICKEL
61	130204	4	SCW, 6-32 X 1/4" FHMS UNDERCUT, ZINC
62	749201	6	"D" CELL BATTERY
63		1	SEE BATTERY ACCESS PANEL Table 1, identifier 6
64	130237	2	SCW, 10-32 X 3/8" PHIL RND MS, SS
65	726609	1	PLATE, PRINTER HOLDER, MAST, SCALE-T
66	726610	1	PRINTER, MECH, MARTELL, SCALE-T
67	726555	1	BRACKET, USB PCBA, SCALE-T
68	412273	1	PCBA, USB, SCALE-T
69	727161	2	SCW, 3-24 X 1/4, PHILLIPS, PHP PLASTITE
70	726746	2	SCREW, 6-32X7/16", HEX RHS, ZINC STEEL
71	726611	1	COVER, MAST, READOUT PANEL, SCALE-T
72	412270	1	PCBA, DISPLAY, W/TACT-SWITCH, SCALE-T
73	726601	1	OVERLAY, GRAPHIC, MAST, WPRINT, SCALE-T
74	132074	2	WASHER, 3/8" ID X 1" ODSS
75	130234	2	BOLT 3/8-16 X 3 3/4" HEX HEAD
76	726600	1	MAST CASE, HIGH, WO PRINTER, SCALE-T
77	726499	1	MAST CASE, HIGH, W/O PNT W/O AC, SCALE-T
78	726602	1	OVERLAY, GRAPHIC, MAST, WOPRINT, SCALE-T
79	727162	10	ADHESIVE BACKED, LATCHING, WIRE CLIP
80	715822	4	CABLE TIE HOLDER WITH ADHESIVE
81	113P464	4	CABLE TIE, 6 INCH
82	727306	1	HARNESS, CONT, GND, SCALE-T
83	412430	1	HARNESS, USB INTERFACE, SCALE-T
84	412467	1	HARNESS, DATA, DISPLAY PCB TO PRINTER
85	412468	1	HARNESS, POWER, DISPLAY PCB TO PRINTER
86	726551	1	POWER SUPPLY, EXT, 12VDC

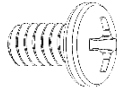
Fastener Reference (NOT TO SCALE)

Welch Allyn Part Description and Image
 Part Number

23335 SCW 1/4-20X3/8" BHCS SOCKET



24014 SCW 6-32 X 1/4 PHIL PAN STEEL NICKEL



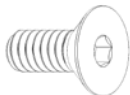
25066 BOLT 1/4-20 X 1" HEX HEAD SS



30374 WASHER, 0.318" ID X 0.738" OD X 0.062 TK



30378 10-24 X 1/2 FH SOC SCR



33004 WSH 1/4 STEEL SPLIT LOCK



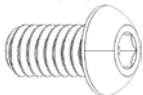
40408 BHSCS 10-32 X 3/8 18-8 STAINLESS STEEL



46513 SCW, 10-32 X 3/8" SOC FH, SS



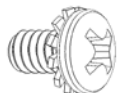
48112 SCW, 1/4-20 X 1/2" BHCS, SS, PASSIVATED



48113 SCW, 6-32 X 3/8" PHIL PAN HD NICKEL



48611 SCW, 6-32 X 1/4" PHMS SEMS, NICKEL



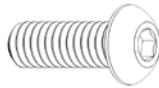
50314 BUSHING, WHEEL 5/16" X 1"



50518 WASHER, 0.281" X 1.000" X 0.125"



50529 1/4-20X3/4 BUTT HD SOCK SCR



50542 CLIP, METAL CABLE 3/16"



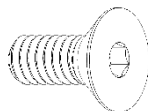
50614 SCW, 5/16-24 X 1 3/4" HEX CS GRD 8, NICK



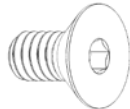
52523 NUT, 5/16-24 HEX NKL



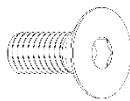
60624 SCREW 1/4-20 X 1" FHSS



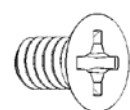
66164 1/4-20 X 1/2 FLAT HD SOCK SCR



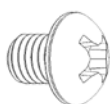
130060 SCREW 10-32X1/2" FHS FOR DELRON



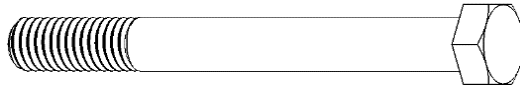
130204 SCW, 6-32 X 1/4" FHMS UNDERCUT, ZINC



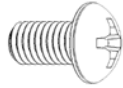
130212 10-32 X 1/4 SCREW – GHMS SOC



130234 BOLT 3/8-16 X 3 3/4" HEX HEAD



130237 SCW 10-32X3/8" PHIL RND MS SS



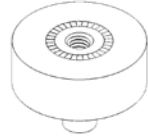
131052 NUT 1/4-20 JAM



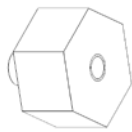
132074 WASHER 3/8" ID X 1" ODSS



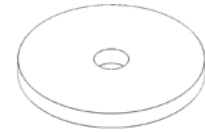
133086 LOADMOUNT 3/8" X 1" WITH 3/8"



133110 MOUNT METAL LOAD



726340 WSHR,0.281"ID,1.5" OD,0.11"- 0.14THK



726341 SHOULDER SCREW 1/2" OD X 1/4" L



726348 WASHER,1/4"ID X 1"OD X 0.060"-0.090"TH



726461 NUT, 1/4-20 SER FLNG, GR5 ZINC SCALE-T



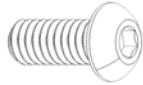
726494 SCREW, 1-32 X 3/8, THREAD FORM



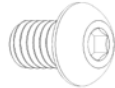
726746 SCREW, 6-32X7/16", HEX RHS, ZINC STEEL



726749 SCW, 1/4-20 X 5/8", HEX, BUTTON HEAD, SS



726773 SCW 5/16-18 1/2" ROUNDED CAP, VIBRATITE



727007 SCW, 10-32 X 1.75" BHCS 18-8, ASTM F879 CW



727161 SCREW 3-24X1/4 PHILLIPS PHP PLASTITE



727547 SCREW, 1/4-20 X 1.75 HHCS SS



727578 1/4 SPLIT RING LOCKWASHER, SS



727768 SCW 10-32 X 3/4" FLAT HEAD SOC CAP SCRW



106100-4 SCREW 4-40 X .380 PAN PHILLIPS



106137-4 NUT, 10-32 EXTLOCK



106137-7 NUT 6-32 LOCKING HEX



CS-206 WASHER, FENDER .28" X 1.5"

