

# CP 150 12-lead resting electrocardiograph

---



---

## Service manual

Software version 2.10.XX

**WelchAllyn**<sup>®</sup>

Advancing Frontline Care<sup>™</sup>

© 2021 Welch Allyn, Inc. All rights are reserved. To support the intended use of the product described in this publication, the purchaser of the product is permitted to copy this publication, for internal distribution only, from the media provided by Welch Allyn. No other use, reproduction, or distribution of this publication, or any part of it, is permitted without written permission from Welch Allyn. Welch Allyn assumes no responsibility for any injury to anyone, or for any illegal or improper use of the product, that may result from failure to use this product in accordance with the instructions, cautions, warnings, or statement of intended use published in this manual.

Welch Allyn is a registered trademark of Welch Allyn, Inc.

Software in this product is copyright Welch Allyn. All rights are reserved. The software is protected by United States of America copyright laws and international treaty provisions applicable worldwide. Under such laws, the licensee is entitled to use the copy of the software incorporated with this instrument as intended in the operation of the product in which it is embedded. The software may not be copied, decompiled, reverse-engineered, disassembled, or otherwise reduced to human-perceivable form. This is not a sale of the software or any copy of the software; all right, title, and ownership of the software remain with Welch Allyn.

For information about any Welch Allyn product, contact [Welch Allyn Technical Support](#).

**REF** DIR 80024175 Ver. C  
Revision date: 2021-09

This manual applies to the **#** 901049 ELECTROCARDIOGRAPH  
and the **#** 901051 SPIROMETER



Welch Allyn, Inc.  
4341 State Street Road  
Skaneateles Falls, NY 13153 USA  
[www.welchallyn.com](http://www.welchallyn.com)

**WelchAllyn**<sup>®</sup>  
Advancing Frontline Care<sup>™</sup>

# Contents

---

<b>Symbols</b> .....	<b>1</b>
<b>Safety</b> .....	<b>5</b>
General safety considerations .....	5
Electrostatic discharge (ESD) .....	5
General warnings .....	7
General cautions and notes .....	9
<b>Overview</b> .....	<b>11</b>
Purpose and scope .....	11
Technical support services .....	11
Service loaners .....	12
Service options .....	12
Repairs .....	13
Configuration options for CP150 electrocardiograph .....	13
The Welch Allyn Service Tool .....	14
Returning products .....	15
<b>Controls, indicators, and connectors</b> .....	<b>17</b>
<b>Home screen</b> .....	<b>21</b>
Device status area .....	22
Content area .....	22
Navigation area .....	22
<b>Settings</b> .....	<b>25</b>
View or change the device information .....	25
Advanced settings .....	25
<b>Service</b> .....	<b>37</b>
View or change the Service settings .....	37
Upgrade your existing CP 150 device software version through the Welch Allyn Service Tool .....	37
Activate the DICOM license through the Welch Allyn Service Tool .....	39
(Optional) Upgrade your existing CP 150 device to DICOM through the Welch Allyn Service Tool administration menu .....	41
Upgrade your existing CP 150 device wireless radio software version through the Welch Allyn Service Tool .....	42
Configure your network policy certificate through the Welch Allyn Service Tool .....	44
(Optional) Upgrade your CP 150 software using a USB flash drive .....	46
Perform the full-functional tests .....	47

Electrical safety testing .....	53
Manage tests and other files .....	54
Restore factory defaults and export or import of the device configurations .....	55
<b>Troubleshooting .....</b>	<b>57</b>
Symptoms and solutions .....	57
Printer problems .....	59
User interface problems .....	60
Post test error messages .....	61
CP 150 spirometry option symptoms and solutions .....	62
<b>Guidance and manufacturer's declarations .....</b>	<b>65</b>
EMC compliance .....	65
Emissions and immunity information .....	65
<b>Disassembly, repair, and reassembly .....</b>	<b>67</b>
Required tools and equipment .....	68
Power down the electrocardiograph .....	69
Remove the battery .....	70
Separate the top housing assembly from the bottom housing assembly .....	70
<b>Field replaceable units .....</b>	<b>97</b>
Housing top assembly .....	97
Bottom assembly .....	102
Printer assembly .....	109
<b>Partners in Care service and support agreements .....</b>	<b>113</b>
Preventive service .....	113
<b>Appendices .....</b>	<b>115</b>
Decontamination and cleaning requirements .....	115
Cleaning the spirometer, calibration syringe, and patient handle .....	116
Interconnect diagram .....	118

# Symbols

## Documentation symbols



**WARNING** The warning statements in this manual identify conditions or practices that could lead to illness, injury, or death.



**CAUTION** The caution statements in this manual identify conditions or practices that could result in damage to the equipment or other property, or loss of data. This definition applies to both yellow and black and white symbols.



Consult directions for use (DFU). A copy of the DFU is available on this website. A printed copy of the DFU can be ordered from Welch Allyn for delivery within 7 calendar days.



Meets essential requirements of the European Medical Device Directive 93/42/EC

## Power symbols



Power on/standby



Battery



Alternating Current power present, battery fully charged



Battery absent or faulty



Alternating Current power present, battery is charging



Battery charge level



Alternating current (AC)



Battery Charging - AC powered



Dangerous voltage







Power plug





Fuse







Rechargeable battery

	Protective Earth (PE)		Non-ionizing electromagnetic radiation
	Equipotential Ground		Rated power input, AC






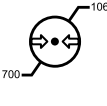


## Connectivity symbols





	USB		Ethernet
---	-----	---	----------

## Wireless radio symbols






	<p>Wireless signal strength</p> <ul style="list-style-type: none"> <li>• Best (4 bars)</li> <li>• Good (3 bars)</li> <li>• Fair (2 bars)</li> <li>• Weak (1 bar)</li> <li>• No connection (no bars)</li> </ul>		Non-ionizing electromagnetic radiation
	<p><b>FCC ID</b></p> <p>The identification number assigned by the Federal Communications Commission SQG-WB45NBT</p>		<p><b>IC ID</b></p> <p>Industry Canada identification number. The equivalent governing body to the FCC in the United States 3147A-WB45NBT</p>

## Shipping, storing, and environment symbols

	This way up		Keep Dry
	Fragile		Humidity limitation
	Temperature limit		Atmospheric pressure limitation
	Separate collection of batteries. Do not dispose as unsorted municipal waste.		Recyclable

	Separate collection of Electrical and Electronic Equipment. Do not dispose as unsorted municipal waste.		China RoHs
<b>Li-ion</b>	Lithium ion battery		Keep away from sunlight
	Use by Date	<b>IP20</b>	Protected against the ingress of solid foreign objects $\geq 12.5$ mm diameter, not protected against the ingress of water.

## Miscellaneous symbols

	Manufacturer		Defibrillation-proof Type CF applied part
<b>REF</b>	Reorder Number	<b>SN</b>	Serial Number
<b>#</b>	Product Identifier	<b>LOT</b>	Lot Code
<b>R<sub>x</sub> ONLY</b>	Prescription only or "For Use by or on the order of a licensed medical professional"		Do not re-use, Single use device
<b>EC</b> <b>REP</b>	Authorized Representative in the European Community	<b>GTIN</b>	Global Trade Item Number
	Call for maintenance		Clock; time switch; timer





# Safety

---

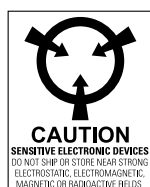
All users of the device must read and understand all safety information presented in this manual before using or repairing the device.

United States federal law restricts this device to sale, distribution, or use by or on the order of a licensed medical practitioner.

## General safety considerations

- To ensure patient safety, use only accessories recommended or supplied by Welch Allyn. Always use accessories according to your facility's standards and according to the manufacturer's recommendations and instructions. Always follow the manufacturer's directions for use.
- Welch Allyn recommends that only Welch Allyn service personnel or an authorized repair center perform warranty service. Performing unauthorized service on a device that is within warranty may void the warranty.

## Electrostatic discharge (ESD)



**CAUTION** Electrostatic discharge (ESD) can damage or destroy electronic components. Handle static-sensitive components only at static-safe workstation.



**CAUTION** Assume that all electrical and electronic components of the device are static-sensitive.

Electrostatic discharge is a sudden current flowing from a charged object to another object or to ground. Electrostatic charges can accumulate on common items such as foam drinking cups, cellophane tape, synthetic clothing, untreated foam packaging material, and untreated plastic bags and work folders, to name only a few.

Electronic components and assemblies, if not properly protected against ESD, can be permanently damaged or destroyed when near or in contact with electrostatically charged objects. When you handle components or assemblies that are not in protective

bags and you are not sure whether they are static-sensitive, assume that they are static-sensitive and handle them accordingly.

- Perform all service procedures in a static-protected environment. Always use techniques and equipment designed to protect personnel and equipment from electrostatic discharge.
- Remove static-sensitive components and assemblies from their static-shielding bags only at static-safe workstations—a properly grounded table and grounded floor mat—and only when you are wearing a grounded wrist strap (with a resistor of at least 1 megohm in series) or other grounding device.
- Use only grounded tools when inserting, adjusting, or removing static-sensitive components and assemblies.
- Remove or insert static-sensitive components and assemblies only with device power turned off.
- Insert and seal static-sensitive components and assemblies into their original static-shielding bags before removing them from static-protected areas.
- Always test your ground strap, bench mat, conductive work surface, and ground cord before removing components and assemblies from their protective bags and before beginning any disassembly or assembly procedures.

# General warnings

Warnings indicate conditions or practices that could lead to illness, injury, or death.

## Warnings related to the environment



**WARNING** The power cord is considered the disconnect device for isolating this equipment from supply mains. Do not position the equipment so that it is difficult to reach or disconnect.



**WARNING** To avoid a possible explosion, do not use the electrocardiograph in the presence of flammable anesthetics: mixtures containing air, oxygen, or nitrous oxide.



**WARNING** When transporting the electrocardiograph on a cart, tuck the patient cable away to keep them clear of the wheels and to minimize trip hazards.

## Warnings related to accessories and other equipment



**WARNING** To avoid the risk of electric shock, this equipment must only be connected to a supply mains with protective earth.



**WARNING** For operator and patient safety, peripheral equipment and accessories that can come in direct patient contact must be in compliance with all appropriate safety, EMC, and regulatory requirements.



**WARNING** All signal input and output (I/O) connectors are intended for connection of only devices complying with IEC 60601-1, or other IEC standards (for example, IEC 60950), as appropriate to the device. Connecting additional devices to the electrocardiograph might increase chassis or patient leakage currents.



**WARNING** The electrocardiograph has not been designed for use with high-frequency (HF) surgical equipment and does not protect against hazards to the patient.



**WARNING** Defective batteries can damage the electrocardiograph. Visually inspect the battery at least monthly, if the battery shows any signs of damage or cracking, it must be replaced immediately and only with a battery approved by Welch Allyn.



**WARNING** Improper disposal of batteries may create an explosion or contamination hazard. Never dispose of batteries in refuse containers. Always recycle batteries according to local regulations.



**WARNING** All signal input and output (SIP/SOP) connectors should not be contacted by patient directly and indirectly through the user during operation.



**WARNING** Use only parts and accessories, including thermal paper, that were supplied with the device and available through Welch Allyn. The use of accessories other than those specified may result in degraded performance or unsafe use of this device.

## Warnings related to using the electrocardiograph



**WARNING** No modification of this equipment is allowed.



**WARNING** This device captures and presents data reflecting a patient's physiological condition. When reviewed by a trained physician or clinician, this data can be useful in determining a diagnosis. However, the data should not be used as a sole means for determining a patient's diagnosis or prescribing treatment.



**WARNING** To provide CF protection use only accessories approved by Welch Allyn. Visit [www.welchallyn.com](http://www.welchallyn.com). The use of any other accessories can result in inaccurate patient data, can damage the equipment, and can void your product warranty.



**WARNING** To avoid serious injury or death, take these precautions during patient defibrillation:

- Avoid contact with the electrocardiograph, patient cable, and patient.
- Verify that the patient leads are properly connected.
- Place defibrillator paddles properly in relation to electrodes.
- After defibrillation, pull each patient lead out of the patient cable and inspect the tips for charring (black carbon marks). If there is any charring, the patient cable and individual leads must be replaced. If there is no charring, fully reinsert the leads into the patient cable. (Charring can occur only if a lead is not fully inserted into the patient cable before defibrillation.)



**WARNING** To prevent the spread of infection, take these precautions:

- Dispose of single-use components (for example, electrodes) after using them once.
- Regularly clean all components that come in contact with patients.
- Avoid ECG testing for patients with open, infectious sores.



**WARNING** Avoid positioning any leads or cables so that they could easily trip someone or become wrapped around a patient's neck.



**WARNING** To ensure safe use of the device, follow the documented maintenance procedures.



**WARNING** Only qualified service personnel should attempt to repair the electrocardiograph. In case of a malfunction, call Technical Support.



**WARNING** Do not perform ST segment analysis on the ECG screen display, since these ECG representations are scaled. Make manual measurements of ECG intervals and magnitudes on printed ECG reports only.



**WARNING** To maintain diagnostic accuracy and to comply with IEC 60601-02-51 and IEC 60601-02-25, do not scale (re size) when sending a saved ECG to an external printer.



**WARNING** To avoid injury, do not touch the print head immediately after printing. It might be hot.



**WARNING** To avoid the risk of associating reports with the wrong patients, make sure that each test identifies the patient. Do not save a test to the patient record without patient identification associated with the report.

## General cautions and notes

Cautions indicate conditions or practices that could damage the equipment or other property. Notes provide clarification about an instruction or helpful information about a feature or behavior.



**CAUTION** Federal US law restricts sale of the device identified in this manual to, or on the order of, a licensed physician.



**CAUTION** When removing the electrocardiograph from storage, allow it to thermally stabilize to surrounding environmental conditions before using it.



**CAUTION** To prevent possible damage, do not use sharp or hard objects to press the touch screen or the buttons. Only use fingertips.



**CAUTION** Do not expose the patient cable to strong ultraviolet radiation.



**CAUTION** Do not pull or stretch the patient cable. Doing so could result in mechanical or electrical failures. Form the patient cable into a loose loop before storing.



**CAUTION** Avoid positioning the patient cable where it might get pinched, stretched, or stepped on. Otherwise, measurements might no longer be accurate, and repair might be necessary.



**CAUTION** Using the equipotential terminal for anything but grounding purposes may contribute to damage of the device.



**CAUTION** Portable and mobile RF communications equipment can affect the performance of the electrocardiograph.



**CAUTION** The electrocardiograph meets the Class A requirements of IEC 60601-1-2 regarding incidental emission of radio frequency interference. As such it is suitable for use in commercial grade electrical environments. If the electrocardiograph is used in residential grade electrical environments and you experience incidental interference with other equipment that uses radio frequency signals to operate, minimize the interference.



**CAUTION** Other medical equipment—including but not limited to defibrillators, ultrasound machines, pacemakers, and other stimulators—may be used simultaneously with the electrocardiograph. However, such devices may disturb the electrocardiograph signal.



**CAUTION** The power cord must be disconnected from AC power before cleaning, maintaining, transporting, or servicing.



**CAUTION** The requirements of AAMI EC11, Section 3.2.7.2, Frequency and Impulse Response, for an impulse triangle waveform may be impacted by up to 5 milliseconds of small amplitude dampened ringing immediately after the impulse when the muscle filter (35 Hz) is turned on or a small amplitude offset when the baseline filter (0.5 Hz) is turned on. These filters, in any combination turned on or off, meet the AAMI requirements. Measurements performed by the optional interpretation algorithm are unaffected by any filter selections.

**Note**

The entire patient cable, up to and including the electrodes are considered to be an Applied Part.

# Overview

---

## Purpose and scope

The purpose of this Help file is to assist with some common troubleshooting scenarios you may encounter and to explain the export, import, update and upgrade process. It is intended for use only by trained and qualified service personnel.

Corrective service is supported to the level of field-replaceable units. These include circuit-board assemblies and some subassemblies, case parts, and other parts.



**WARNING** When performing a service procedure, follow the instructions exactly as presented in this manual. Failure to do so could damage the device, invalidate the product warranty, and lead to serious personal injury.



**CAUTION** No component-level repair of circuit boards and subassemblies is supported. Use only the repair procedures described in this manual.

Find instructions for functional testing and performance verification in the Welch Allyn Service Tool help files.

This manual applies only to this device. For servicing of any other device, see the service manual for the specific device.

Service work not described in this manual must be performed by qualified service personnel at the factory or at an authorized Welch Allyn Service Center.

## Related documents

When using this manual, refer to the following:

- *CP 150 12-lead resting electrocardiograph Directions for use, software version 2.10*
- *CP 150 spirometry option Directions for use, software version 2.10*
- Welch Allyn website: [www.welchallyn.com](http://www.welchallyn.com)

## Technical support services

Welch Allyn offers the following technical support services:

- Telephone support
- Loaner equipment
- Service Agreements

- Service training
- Replacement service parts
- Product service

For information on any of these services, contact the Welch Allyn Service Center nearest you.

## Service loaners

For warranty or non-warranty repairs not covered under a support agreement, loaners are available for a nominal charge, subject to availability. Payment is required prior to shipment for all loaners not covered under a support agreement. The loaner fee can be found on the Welch Allyn loaner price list.

Welch Allyn Service Centers that provide repair service for this product can, on request, loan a device for use while the device is being repaired. Loaned devices are provided free of charge for products repaired while under a support agreement that includes a free loaner provision.

Loaner equipment for the individual component modules is not available.

## Service options

### Partners in Care service agreements

While product warranties provide basic assurance of Welch Allyn hardware quality, they may not include the full range of services and support you need. Welch Allyn offers premium service and support through our Partners in Care program. Whether you service your own devices and require a minimum of support or rely on us to service your device, Welch Allyn provides a program that will meet your needs. For more information visit our web site at [www.welchallyn.com](http://www.welchallyn.com) or call your sales representative.

### Warranty service

All repairs on products under warranty must be performed or approved by Welch Allyn. Refer all warranty service to Welch Allyn Product Service or another authorized Welch Allyn Service Center. Obtain a Return Material Authorization (RMA) number for all returns to Welch Allyn Product Service.



**CAUTION** Unauthorized repairs will void the product warranty.

### Non-warranty service

Welch Allyn product service and authorized service centers support non-warranty repairs. Contact any Welch Allyn regional service center for pricing and service options.

Welch Allyn offers modular repair parts for sale to support non-warranty service. This service must be performed only by qualified end-user biomedical/clinical engineers using this service manual.



## Repairs

A Welch Allyn Service Center must perform all repairs on products under warranty, unless you have purchased a Welch Allyn support agreement allowing you to service the device while under warranty.



**CAUTION** Unauthorized repairs will void the product warranty.

Qualified service personnel or a Welch Allyn Service Center should repair products out of warranty.

If you are advised to return a product to Welch Allyn for repair or routine maintenance, schedule the repair with the service center nearest you.

### Welch Allyn Technical Support

If you have a problem with the device that you cannot resolve, call the Welch Allyn Technical Support Center nearest you for assistance. A representative will assist you in troubleshooting the problem and will make every effort to solve the problem over the phone, avoiding a potential unnecessary return.

If your product requires warranty or non-warranty repair service, a Welch Allyn Technical Support representative will record all necessary information to issue an RMA number. The support representative will provide you with the address of the Welch Allyn Service Center to send your device to.

An RMA number must be obtained prior to any return. Be sure to note this number on the outside of your shipping box and include a copy of the RMA in the box.

Returns without an RMA number will not be accepted for delivery.

Technical support is available during local business hours.

## Configuration options for CP150 electrocardiograph

Model	Additional Options	Accessories	Language	Power cord
CP150		1 - AHA, disposable	BP - Brazilian Portuguese	2 - Europe
	A - Interpretation	2 - IEC, disposable	DA - Danish	3 - Israel
	W - WiFi	3 - AHA, reusable	DE - German	4 - UK
	D - DICOM	4 - IEC, reusable	EN - English	5 - Switzerland
	S - Spirometry		ES - Spanish	66 - Australia
			FI - Finnish	7 - S. Africa
			FR - French	A - Denmark
			IT - Italian	B - North America
			KR - Korean	C - China

Model	Additional Options Accessories	Language	Power cord
		NL - Dutch	G - Argentina
		NO - Norwegian	N - India/UAE
		PT - Portuguese	Y - Italy
		RU - Russian	Z - Brazil
		SV - Swedish	
		TR - Turkish	
		TW - Traditional Chinese	
		ZH - Simplified Chinese	

Examples: CP150-1ENB, CP150A-1ENB, CP150WD-1ENB, CP150W-1ENB, CP150A-4DE5

**Note** The spirometry option is only available in English.

Examples: CP150S-1ENB and CP150AS-1ENB

## The Welch Allyn Service Tool

The Welch Allyn Service Tool is available in the **Silver** edition. Download from Welch Allyn website.

Clinicians and technical service personnel can use the service tool to manage and maintain supported Welch Allyn products. You can use the service tool to do the following:

- **Review device information.** When connected to the device, the service tool lists installed modules, installed firmware and hardware versions, warranty and repair information, status, and usage history.
- **Receive notifications when periodic maintenance is needed.** The service tool can help you manage and maintain your entire inventory of supported Welch Allyn products. Through the remote service function, the service tool can connect to Welch Allyn Customer Service. With this functionality you can automatically receive firmware updates and feature upgrades for your supported products, including software upgrades for the service tool.
- **Install updates.** The service tool can read the firmware version of the CP 150 and check for available updates or upgrades.
- **Install upgrades.** An interpretation option is available for purchase. The CP 150 basic can be upgraded to a CP 150A (with the Interpretation option) through the Welch Allyn Service Tool.
- **Create a work list.** The work list provides information about service actions—referred to as work orders—that are waiting for you to perform on your maintained devices. Work orders may include periodic calibrations, upgrades, or license installations.

- **Schedule periodic maintenance.** You can use the service tool to set the service interval for each maintained device.
- **View and save logs.** You can download and save log files from the device for analysis to help diagnose and identify reported issues.
- **Create user accounts.** Administrators can create user accounts and set permission levels to control access to the features, allowing one group to perform administrative tasks and another to perform service tasks. Restricting access prevents the service tool from being used to make unauthorized changes on a connected device.
- **Perform functional verification.** The service tool can be used to test the device to ensure that it meets performance specifications.
- **Recover devices.** In the rare case where a device can no longer boot because of corrupted firmware, the service tool can connect the device to Welch Allyn Technical Support to reinstall the firmware.
- **Extensible.** The device accepts new plug-ins to support future Welch Allyn products.

## Returning products

When returning a product to Welch Allyn for service, ensure that you have the following information:

- Product name, model number, and serial number. This information may be found on the product and serial number labels on the bottom of the device.
  - A complete return shipping address.
  - A contact name and phone number.
  - Any special shipping instructions.
  - A purchase-order number or credit-card number if the product is not covered by a warranty.
  - A full description of the problem or service request.
1. Contact Welch Allyn and request an RMA number.

**Note** Welch Allyn does not accept returned products without an RMA.

2. Ship the device to Welch Allyn, observing these packing guidelines:
  - a. Remove from the package the battery, all hoses, connectors, cables, sensors, power cords, and other ancillary products and equipment, except those items that might be associated with the problem.

### Recommendations for returning the Lithium Ion battery

- Use ground transportation to return batteries.
- If returning multiple batteries, package each battery individually.
- Do not consolidate multiple batteries in a single package.
- Use packaging provided by Welch Allyn or the battery manufacturer.
- Do not pack a defective battery in checked or carry-on baggage if traveling by air.

### Packaging

- If you return the battery with the device, remove the battery, seal the battery in an antistatic plastic bag, and place the battery in the position reserved for the battery in the original shipping carton near the device.

- If you return the battery separately, package the battery in the replacement battery's plastic bag and shipping box.

If the original shipping carton or replacement battery shipping box is unavailable, consult the manufacturer website for information regarding shipping lithium ion batteries: <https://inventuspower.com/about/resources/>.



**WARNING** Safety risk. Do not ship any battery that has been physically damaged or shows signs of leakage unless you receive specific instructions which meet the requirements for the shipment of Lithium batteries. Dispose of damaged or leaking batteries in an environmentally safe manner consistent with local regulations.

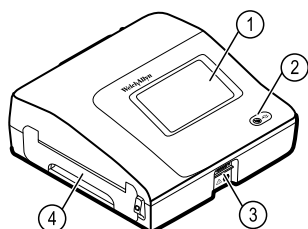
**Note** In the United States, the applicable regulations can be found in the Code of Federal Regulations (CFR). Refer to 49 CFR 173.185 for shipping lithium batteries by air or ground. Use 49 CFR 172.102 sections 29, 188, 189, A54, A55, A100, A101, A103, and A104 to find the special provisions for shipping lithium batteries.

- b. Clean the device.

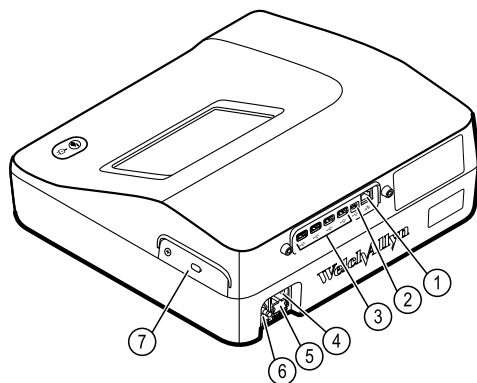
**Note** To ensure safe receipt of your device by the service center and to expedite processing and return of the device to you, **thoroughly clean all residues from the device before you ship it to Welch Allyn**. For decontamination and cleaning requirements, see "Decontamination and cleaning" in the appendices. If a returned device is found to be contaminated with bodily fluids, it will be returned at the owner's expense. United States federal regulations prohibit the processing of any device contaminated with blood-borne pathogens. Welch Allyn thoroughly cleans all returned devices on receipt, but any device that cannot be adequately cleaned cannot be repaired.

- c. Put the device, enclosed in a plastic bag **with a packing list**, into the original shipping carton with the original packing materials or into another appropriate shipping carton.
- d. Write the Welch Allyn RMA number with the Welch Allyn address on the outside of the shipping carton.

## Controls, indicators, and connectors

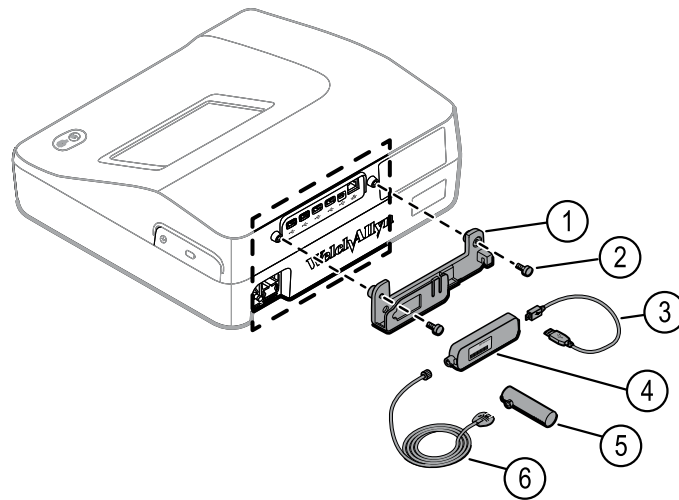


No.	Feature	Description
1	LCD screen	800 x 480 pixels color touchscreen provides a graphical user interface.
2	Power switch and LED	Power-on/Standby switch. The LED indicates the charging status when connected to AC power: <ul style="list-style-type: none"> <li>• Green: The battery is charged.</li> <li>• Amber: The battery is charging.</li> </ul>
3	Patient cable connector	Provides connection for patient cable.
4	Printer	N/A

**Back view**

No.	Feature	Description
1	Ethernet connector	Provides a hardwired connection to the computer network. The LEDs indicate active network status when the ethernet cable is connected to a network.
2	Clients USB	USB, type "mini B." Provides connection to an enabled host.
3	Host USB	USB, type "A." Provides four host USB connections for optional accessories.
4	Power connection	Provides an external AC power connection.
5	AC fuse	Provides access to AC.
6	Ground lug (equipotential terminal)	Provided for electrical safety testing and as a means for connection of a potential equalization conductor.
7	Battery compartment (behind cover)	Houses the Li-ion battery.

**Spirometry option back view**



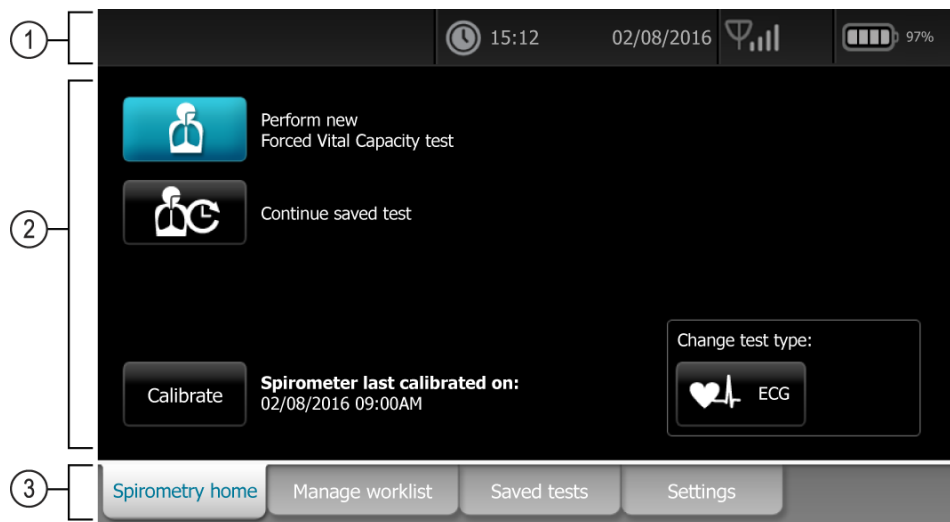
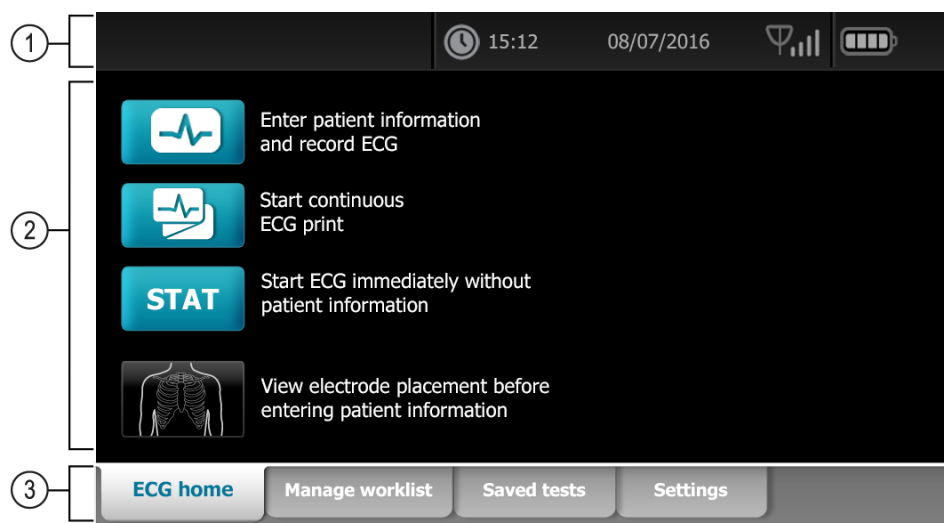
No.	Feature	Description
1	Bracket	Spirometer sensor mounting bracket
2	Thumb screws	Thumb screws to attach bracket to device
3	USB cable	Provides spirometer sensor connection to device
4	Spirometer sensor	USB spirometer sensor
5	Disposable flow transducers	Measures patient air velocity. Connects to pressure tubing.
6	Pressure tubing	Connects flow transducer to USB spirometer sensor





# Home screen

The Home screen includes the following areas:



Item	Area
1	Device status

Item	Area
2	Content
3	Navigation

## Device status area

The Device status area, located at the top of the Home screen, displays:

- Patient Icon and Patient name. Once the patient context is established, the format of the Patient name appears as last name, first name.
- Time and date
- Connectivity status. The icons indicate which connection type, if any, is currently active.
- Battery status
- Error or information messages. These items are displayed until the condition has been resolved.

## Content area

The ECG Content area includes 3 test selection buttons and a preview selection button:

- **Auto ECG**
- **Rhythm ECG**
- **Stat ECG**
- **Electrode Placement (ECG preview)**

The Spiro Content area includes 2 test selection buttons, a calibrate button, and a button to change the test type:

- **Perform new Forced Vital Capacity test**
- **Continue saved test**
- **Calibrate**
- **Change test type**

## Navigation area

The ECG Navigation area includes the following tabs:

- **ECG home:** Displays ECG test types and provides shortcuts to several controls.
- **Manage worklist :** Includes patient data and orders downloaded when connected to a hospital information system (Worklist server).
- **Saved tests:** Accesses the patient ECG tests.
- **Settings:** Accesses device configuration settings.

The Spiro Navigation area includes the following tabs:

- **Spirometry home:** Displays spirometry test types and provides shortcuts to several controls.

- **Manage worklist:** Includes patient data entered manually or orders downloaded.
- **Saved tests:** Accesses the patient spirometry and ECG tests..
- **Settings:** Accesses device configuration settings.

To navigate to a tab, touch the tab in the Navigation area with the corresponding name. The active tab is highlighted.



# Settings

---

## View or change the device information

### To view or change the device information

1. Touch the **Settings** tab. The ECG tab appears.
2. Touch the **Device** tab.
3. Modify the settings as desired:
  - LCD brightness
  - Date
  - Time
  - Adjust clock for daylight saving time
4. Touch **Power down** to turn off the device.

## Advanced settings

The Advanced tab provides password-protected access to the CP150's Advanced settings (or Admin mode), enabling administrators, biomedical engineers, and/or service engineers to configure specific features. The Advanced tab also presents read-only information about the CP150.

### Access Advanced settings

**Note** You cannot access Advanced settings if a patient test is in progress.

1. From the **Home** screen, touch the **Settings** tab.
2. Touch the **Advanced** tab.
3. Enter 6345 as the access code and touch **OK**.

The General tab appears at the bottom of the screen and the Regional tab appears at the top of the screen.

4. Do one of the following:
  - To continue in the Advanced Settings, touch another tab.
  - To exit the Advanced Settings and return to the Home screen, touch **Exit**. The Home screen appears.

## Regional

### Specify regional settings

1. Access the Advanced Settings.
  - a. Touch the **Settings** tab.
  - b. Touch the **Advanced** tab.
  - c. Enter *6345* as the access code
  - d. Touch **OK**.

The General tab appears at the bottom of the screen and the Regional tab appears at the top of the screen.

2. Specify settings.

<b>Setting</b>	<b>Action/Description</b>
Date format	Select a date format for display.
Time format	Select 12 hour display with AM/PM or 24 hour display.
Time zone	Select your time zone offset from Coordinated Universal Time (UTC).
Daylight saving time	Select daylight saving time offset from 0.
Automatically adjust clock for daylight saving time, reported by Connex	Select this to adjust the displayed time by +/- one hour when the connected host reports daylight saving time.
Height	Select centimeters, feet and inches, or inches.
Weight	Select kilograms or pounds.
Mains (AC) frequency	Select 50 hertz or 60 hertz.
Language	Select the device language.

3. Do one of the following:
  - To continue in the Advanced Settings, touch another tab.
  - To exit the Advanced Settings and return to the Home screen, touch **Exit**.

## Device

### Specify the device settings

1. Access the Advanced Settings.
  - a. Touch the **Settings** tab.
  - b. Touch the **Advanced** tab.
  - c. Enter *6345* as the access code.
  - d. Touch **OK**.

The General tab appears at the bottom of the screen and the Regional tab appears at the top of the screen.

2. Touch the **Device** tab.
  - From the Printer drop-down menu, select a PDF or printer option from the list:
    - Internal
    - PDF to USB
    - PDF to remote file location

- Internal and PDF to USB
  - Internal and PDF to remote file location
  - From the Default patient entry drop-down menu, select New Patient or Worklist.
  - Select or deselect the HR beep on.
  - Select or deselect the Error beep on.
  - Turn Caps lock on or off.
3. Do one of the following:
    - To continue in the Advanced Settings, touch another tab.
    - To exit the Advanced Settings and return to the Home screen, touch **Exit**.

## Data management

### Specify data management settings

1. Access the Advanced Settings.
  - a. Touch the **Settings** tab.
  - b. Touch the **Advanced** tab.
  - c. Enter *6345* as the access code.
  - d. Touch **OK**.

The General tab appears on the bottom of the screen and the Regional tab appears on the top of the screen.

2. Touch the **Data Management** tab.
3. Specify settings.

#### Setting

Auto save preferences

Data conflict (Memory full) options

PDF name format

Remote file location

#### Action/Description

Set the default location for Auto save. **Off, Local, USB mass storage device, Workstation, or Remote file location.**

Set the Memory full options to **Delete Oldest** test or **Prompt user** for test deletion preferences.

Select up to four types of identification labels for display on the PDF : **None, Test type, Patient ID, Last name, Test date, Test ID, or Order ID.**

Select a delimiter: -, \_, #, %, ^

Use the keyboard to add the remote file server address, user ID, and password.

Touch **Test remote folder** to test the server connection.

4. Do one of the following:
  - To continue in the Advanced Settings, touch another tab.
  - To exit the Advanced Settings and return to the Home screen, touch **Exit**.

## Ownership

### Specify ownership settings

1. Access the Advanced Settings.

- a. Touch the **Settings** tab.
- b. Touch the **Advanced** tab.
- c. Enter *6345* as the access code.
- d. Touch **OK**.

The General tab appears on the bottom of the screen and the Regional tab appears on the top of the screen.

2. Touch the **Ownership** tab.
3. Specify settings.

#### **Setting**

Practice ID

Contact information

Device ID

#### **Action/Description**

Use the keyboard to add the Practice identification. Touch **OK**.

Use the keyboard to add the Contact information. Touch **OK**.

Use the keyboard to add Device identification. Touch **OK**.

4. Do one of the following:
  - To continue in the Advanced Settings, touch another tab.
  - To exit the Advanced Settings and return to the Home screen, touch **Exit**.

## Start Demo

### Start the demo mode

1. Access the Advanced Settings.
  - a. Touch the **Settings** tab.
  - b. Touch the **Advanced** tab.
  - c. Enter *6345* as the access code.
  - d. Touch **OK**.

The General tab appears on the bottom of the screen and the Regional tab appears on the top of the screen.

2. Touch the **Demo** tab.
3. Touch **Demo** to put the CP150 in demonstration mode.

Once the demonstration mode is complete, the device returns to the Home screen.

## Network

### View advanced CP150 information

The Advanced Settings screen shows the CP150's software version, battery charge state, Ethernet and wireless radio MAC and IP addresses, network, server and access point information, session information, and more.

### View Radio and Ethernet status

**Note** This task is applicable only to devices that have a radio installed and an activated license.




1. Access the Advanced Settings.
  - a. Touch the **Settings** tab.
  - b. Touch the **Advanced** tab.
  - c. Enter *6345* as the access code.
  - d. Touch **OK**.

The General tab appears at the bottom of the screen and the Regional tab appears at the top of the screen.

2. Touch the **Network** tab.

The Status tab appears at the top of the screen.

3. Touch the vertical **Radio** or **Ethernet** tab to view the wireless Radio or Ethernet IP, MAC address, and Status information.

4. Touch  (Next) to view more Ethernet or Radio information settings.

Information in the Status tab updates only when the device is connected to a wired or wireless network.

5. Do one of the following:
  - To continue in the Advanced Settings, touch another tab.
  - To exit the Advanced Settings and return to the Home screen, touch **Exit**.

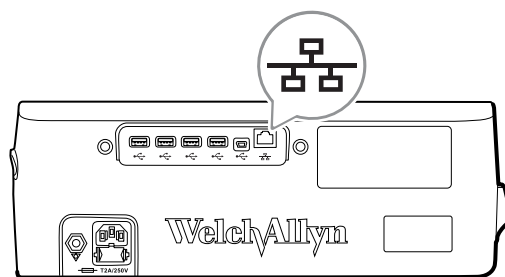
## Specify Ethernet settings

You can connect a CP150 electrocardiograph to a Welch Allyn CardioPerfect workstation or a network server via an Ethernet cable. Software provided in the CP 50/150 connectivity kit is required to communicate with the workstation. Cables longer than 3 meters have not been verified for use with the electrocardiograph. Do not use cables longer than 3 meters.

1. Access the Advanced Settings.
  - a. Touch the **Settings** tab.
  - b. Touch the **Advanced** tab.
  - c. Enter *6345* as the access code.
  - d. Touch **OK**.

The General tab appears at the bottom of the screen and the Regional tab appears at the top of the screen.

If connecting the CP150 electrocardiograph to a Welch Allyn CardioPerfect workstation, connect the electrocardiograph to the same network as the workstation. If you need help, consult your network administrator.



2. Touch the **Network** tab.
3. Touch the **Ethernet** tab.

4. Specify settings.

#### Setting

DHCP


#### Action/Description

Select or deselect DHCP. Select DHCP to auto-connect through Ethernet. Deselect DHCP to manually enter settings.


Network IP address

Touch  and enter the IP address to manually set up the device for Ethernet communications.

Subnet mask


Touch  and enter the Subnet mask.

Gateway

IP address that routes packets to other networks. Touch  and enter the Gateway address.

DNS Server 1

IP address of a server running DNS services for locating computers and services through user-friendly names.

Touch  and enter the DNS Server address.

DNS Server 2

Touch  and enter the DNS Server 2 address.

5. Do one of the following:

- To continue in the Advanced Settings, touch another tab.
- To exit the Advanced Settings and return to the Home screen, touch **Exit**.

## Specify radio settings

**Note** Your model might not contain all of these features.

**Note** Radio features are enabled through hardware detection.

1. Access the Advanced Settings.
  - a. Touch the **Settings** tab.
  - b. Touch the **Advanced** tab.
  - c. Enter *6345* as the access code.
  - d. Touch **OK**.

The General tab appears at the bottom of the screen and the Regional tab appears at the top of the screen.

2. Touch the **Network** tab.

The Status tab appears at the top of the screen and the vertical Ethernet and Radio tabs appear.

3. Touch the **Radio** tab to access WiFi and Radio settings.
4. Specify Radio Configuration settings.


#### Setting

Enable radio

#### Action/Description

Enable the radio for device communications. When disabled, the radio is not available.

ESSID

Identification name of an 80211 wireless network. Touch  and enter the service set identifier (SSID- the name of the access point). Enter a maximum of 32 characters.

Radio band	Select the radio band. ABGN, ABG, AN or A.
Update radio	Touch <b>Update radio</b> to activate all new radio settings not selected previously. <b>Note</b> None of the changed radio settings take effect until you touch Update radio.

- Do one of the following:
  - To continue in the Advanced Settings, touch another tab.
  - To exit the Advanced Settings and return to the Home screen, touch **Exit**.

## Specify radio security settings

**Note** Your model might not contain all of these features.

- In Advanced settings, touch the **Network > Radio > Security** tabs.
- Select the encryption method to secure data transfer from the device.

**Note** Network server certificates are required for all EAP security options. Use the Welch Allyn Service Tool to load these certificates.

- Specify Security settings.

### Setting

Authentication type

### Action/Description

Select the preferred encryption option. Then specify any additional settings that appear. The default encryption option is **WPA2-Personal**.

WEP 64

Select a WEP key and then enter a 10-character key in the selected field. Repeat this process to create multiple WEP keys. Then click **Update radio**.

WEP 128

Select a WEP key and then enter a 26-character key in the selected field. Repeat this process to create multiple WEP keys. Then click **Update radio**.

WPA-Personal and WPA2-Personal

Enter a **Passphrase** (8 to 63 characters) then click **Update radio**. After the characters are entered they appear as asterisks.

WPA-Enterprise and WPA2-Enterprise

Touch  (Next) to specify the following settings and then click **Update radio** when finished.

Anonymous identity

Encrypt user identity when authenticating with the server. This is disabled for TLS and TTLS.

User name

Enter the EAP identity (maximum of 64 characters).

Password

Enter the EAP password (maximum of 64 characters). This is disabled for EAP type TLS and for TLS type PEAP-TLS.

Enable server validation

Enable or disable server validation. This is disabled for EAP type EAP-FAST.

Update certificate

Touch **Update certificate** to update radio certificates settings from a USB drive.

**Note** The USB drive needs to contain the file *waclientcert.pim* within a folder entitled *Certs*.

EAP type

Select the authentication protocol. Select more specific EAP settings (Inner EAP Setting, PAC Provisioning).

Roaming  
Update radio

PMK, OKC, CCKM

Touch **Update radio** to activate all new radio settings not selected previously. Touch **OK** in the confirmation popup.

**Note** None of the changed radio settings take effect until you touch *Update radio*.

4. Do one of the following:
  - To continue in Advanced settings, touch another tab.
  - To exit Advanced settings and return to the Home screen, touch **Exit**.

## Specify TCP/IP settings

**Note** Your model might not contain all of these features.

**Note** This task is applicable only to devices that have a radio installed and an activated license.

1. In Advanced settings, touch the **Network** > **TPC/IP** tabs.
2. Specify TCP/IP settings.

### Setting

DHCP


### Action/Description

Select or deselect DHCP. Select DHCP to auto-connect through TCP/IP. Deselect DHCP to manually enter settings.


Network IP address

Touch  and enter the IP address to manually set up the device for TCP/IP communications.

Subnet mask


Touch  and enter the Subnet mask.

Gateway

IP address that routes packets to other networks. Touch  and enter the Gateway address.

DNS Server 1

IP address of a server running DNS services for locating computers and services through user-friendly names.

Touch  and enter the DNS Server address.

DNS Server 2

Touch  and enter the DNS Server 2 address.

Update radio

Touch **Update radio** to activate all new radio settings not selected previously.

Touch **OK** in the confirmation popup.

**Note** None of the changed radio settings take effect until you touch **Update radio**.

3. Do one of the following:
  - To continue in Advanced settings, touch another tab.
  - To exit Advanced settings and return to the Home screen, touch **Exit**.

## Specify Server settings

1. Access the Advanced Settings.
  - a. Touch the **Settings** tab.

- b. Touch the **Advanced** tab.
- c. Enter *6345* as the access code.
- d. Touch **OK**.

The General tab appears at the bottom of the screen and the Regional tab appears at the top of the screen.

2. Touch the **Network** tab.
3. Touch the **Server** tab.

The Connex and DICOM vertical tabs appear.

4. Touch the **Connex** tab to specify the Connex settings.

#### Setting

UDP Broadcast port

Obtain sever IP address automatically


DCP IP address

Port


Test Connection

#### Action/Description

Enable the device to broadcast a request to obtain an IP address for a selected service. Specify the port to match

the port used by the server. Touch  in the UDP broadcast port entry field and enter the port number. The range of entry is 0 to 65535.

Select this option to obtain sever IP address automatically. Deselect to manually enter settings.

Specify a fixed IP address for CardiPerfect workstation or other servers. Touch  in the server IP address fields and enter the IP address.

Select the port. Touch  in the Port entry field and enter the port number. The range of entry is 0 to 65535.

Touch **Test Connection** to test the connection to the configured server.

5. Do one of the following:
  - To continue in the Advanced Settings, touch another tab.
  - To exit the Advanced Settings and return to the Home screen, touch **Exit**.

## Specify the DICOM Worklist and Image Server settings

**Note** Your model might not contain all of these features.

**Note** This task is applicable only to devices that have an activated DICOM license.

1. Access the Advanced Settings.
  - a. Touch the **Settings** tab.
  - b. Touch the **Advanced** tab.
  - c. Enter *6345* as the access code.
  - d. Touch **OK**.

The General tab appears at the bottom of the screen and the Regional tab appears at the top of the screen.

2. Touch the **Network** tab.
3. Touch the **Server** tab.

The Connex and DICOM vertical tabs appear.

4. Touch the **DICOM** tab to specify the DICOM settings.


**Setting**


Enable worklist downloads and ECG DICOM uploads

**Action/Description**

Select this option to enable DICOM functionality.

Local AE Title


Touch  and enter the AE Title for the device (Example: CP150). Enter a maximum of 16 characters.

5. Touch  (Next) to view more DICOM Worklist Server settings. The DICOM Worklist Server configuration settings appear.


**Setting**

Server AE Title


**Action/Description**

Touch  and enter the AE Title for the server. Enter a maximum of 16 characters.

IP address

Touch  in the server IP address fields and enter the IP address.

Port


Select the port. Touch  in the Port entry field and enter the port number. (The port number is set by the network administrator.)

Location filter

Use the drop-down menu to turn the filter off. Or filter by Local AE Title or Device ID / Practice ID.

Test Connection

Touch **Test Connection** to test the connection to the DICOM Worklist Server.


6. Touch  (Next) to view the DICOM Image Server settings. The DICOM Image Server configuration settings appear.

7. Connect to the DICOM Image Server.


**Setting**

Server AE Title


**Action/Description**

Touch  and enter the AE Title for the DICOM Image Server. Enter a maximum of 16 characters.

IP address

Touch  in the server IP address fields and enter the IP address.

Port

Select the port. Touch  in the Port entry field and enter the port number. (The port number is set by the network administrator.)

ECG waveform storage

Select 12-Lead or General waveform storage format.

**Note** When the selected ECG waveform is set to the 12-Lead format, storage reverts to the General waveform if the number of samples is larger than permitted for the 12-Lead format. The 12-Lead storage reverts to the General waveform only if the Auto Report is set to one of the 3x4 formats with the 5-second option and the ECG test is for a pediatric patient.

Coding scheme

Select SCPECG or MDC.

**Note** See the CP150 Conformance Statement for Coding scheme definitions.

Test Connection

Touch **Test Connection** to test the connection to the DICOM Image Server.

8. Do one of the following:
  - To continue in the Advanced Settings, touch another tab.
  - To exit the Advanced Settings and return to the Home screen, touch **Exit**.





# Service

---

The Service tab presents numerous settings and controls typically accessed by authorized service or biomedical engineering personnel to configure, maintain, test, and update the device. For example, the Service tab enables authorized users to save device configurations to a USB flash drive and then load saved configurations to other devices. Systems and devices configured with the PartnerConnect™ service feature also have access to remote diagnostics, troubleshooting, and software upgrades.

## View or change the Service settings

### To view or change the settings

1. From the **Home** screen, touch the **Settings** tab.
2. Touch the **Advanced** tab.
3. Enter 6345 as the access code and touch **OK**. The General tab appears at the bottom of the screen and the Regional tab appears at the top of the screen.
4. Touch the **Service** tab.

#### **Restore factory defaults**

**Note** Your model might not contain all of these features.

- All settings
- Printer page count
- Calibration gain
- Radio settings

#### **Device configuration**

- Save to USB
- Configure from USB
- Print all settings

#### **Update software**

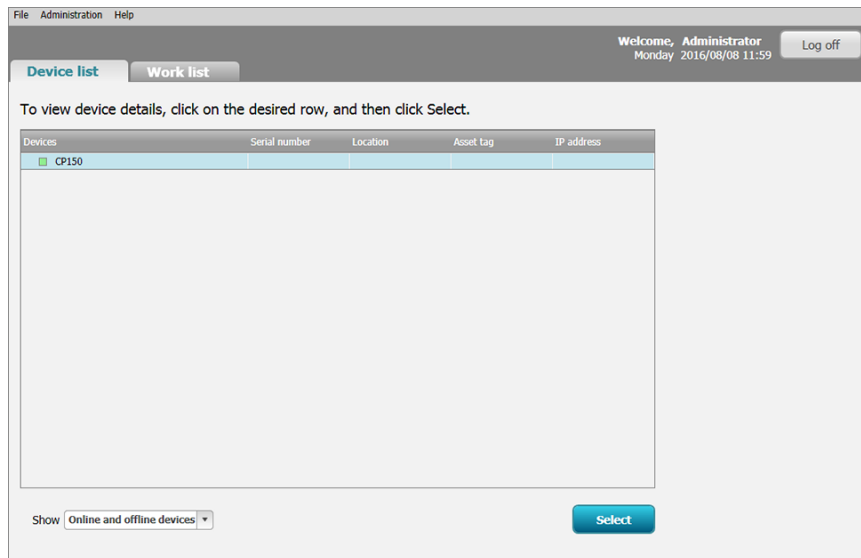
- Update

## Upgrade your existing CP 150 device software version through the Welch Allyn Service Tool

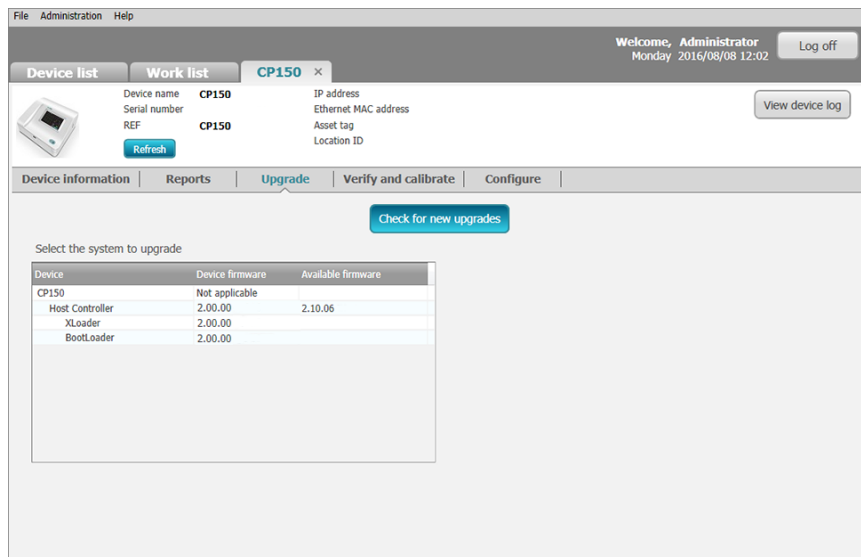
**Note** A USB cable is required to perform the software upgrade.

**Note** Connect the CP 150 to an AC power outlet before upgrading the software.

1. Download the Welch Allyn Service Tool and Partner Connect and install on your PC.
2. Follow the instructions to set up a user name and password.
3. Plug your CP 150 device into a USB port on your PC running the Welch Allyn Service Tool and turn on the device. Plug your CP 150 device into AC power.
4. If the Welch Allyn Service Tool is not still open, go to the Windows Start menu, and then select **All Programs > Welch Allyn > Welch Allyn Service Tool**.
5. Log in to the Welch Allyn Service Tool.
6. Highlight the CP 150 to choose it from the Device list.
7. Click **Select**.



8. Click the **Upgrade** tab and then click **Check for new upgrades**.



9. Highlight the device software (for example, the firmware Host Controller 2.XX.XX) to choose it from the list.

The device's current software (firmware) version shows in the *Device firmware* column and the latest available version shows in the *Available firmware* column.

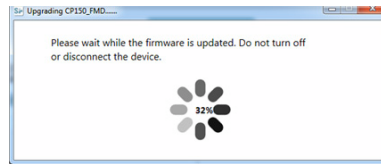
10. Click **Upgrade all**. Optional, click **Read release notes** to view upgrade details.
11. At the *Upgrade Host Controller* screen, click **Yes** at the prompt: Do you want to continue?



**CAUTION** Do not power off the CP 150 device during the update.

**Note**

The upgrade process may take up to fifteen minutes to cycle through the complete upgrade. During the upgrade process, the progress indicator shows the percentage complete status, however, it is also normal to see both a blank screen and a reboot screen that appear several times before the CP 150 device automatically reboots.

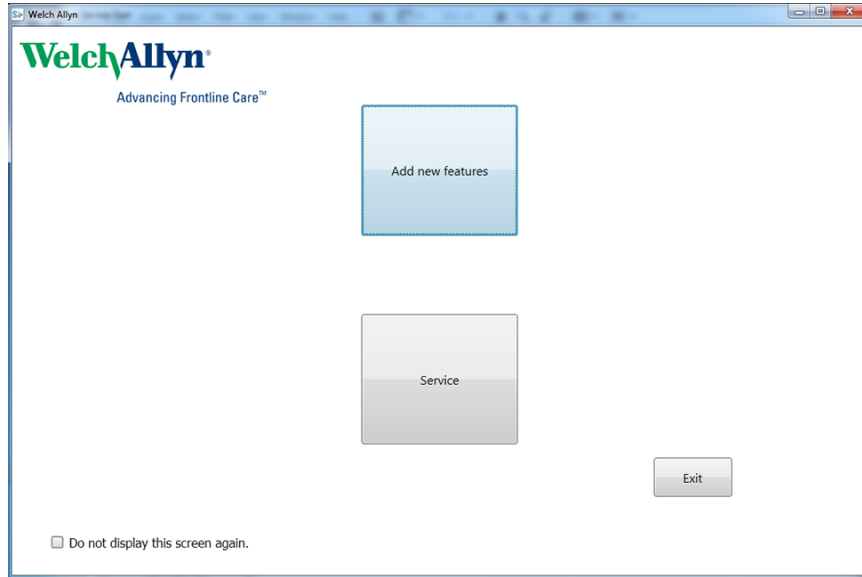


## Activate the DICOM license through the Welch Allyn Service Tool

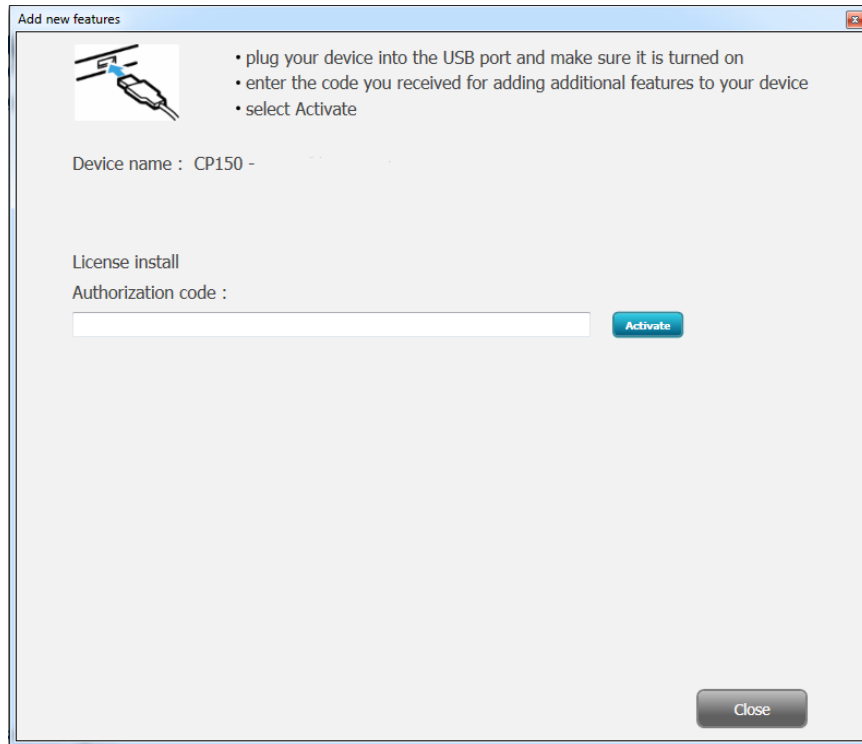
**Note** A USB cable is required to perform the DICOM upgrade.

**Note** Contact Welch Allyn to purchase the DICOM license. DICOM installation requires a DICOM license that needs to be authorized through the Welch Allyn Service Tool. When you purchase a licensed upgrade or option for a supported product, you also receive an authorization code from Welch Allyn. Use this code to activate the new feature or features.

1. Download the Welch Allyn Service Tool and Partner Connect and install on your PC.
2. Plug your CP 150 device into a USB port on your PC running the Welch Allyn Service Tool and turn on the device.
3. If the Welch Allyn Service Tool is not still open, go to the Windows Start menu, and then select **All Programs > Welch Allyn > Welch Allyn Service Tool**.
4. Click **Add new features**.



5. Enter the DICOM code into the authorization code field.
6. Click **Activate**.

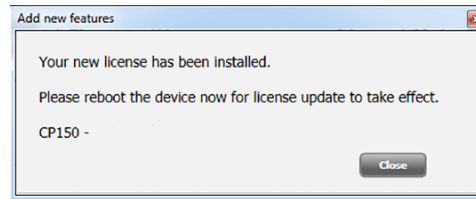


At the *Install License* screen, click **OK**.



**CAUTION** Do not disconnect or power off the device during the license installation.

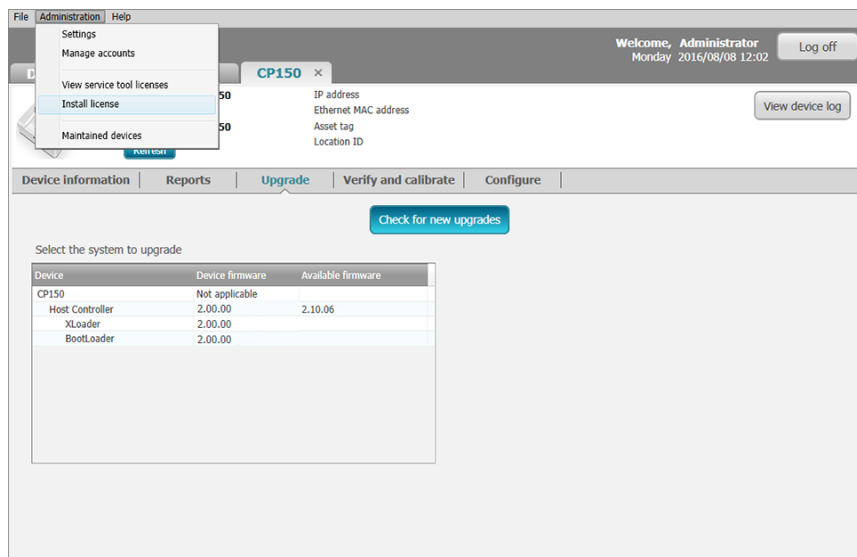
7. Once you see the *Add new features* screen confirming the license installation, click **Close**.



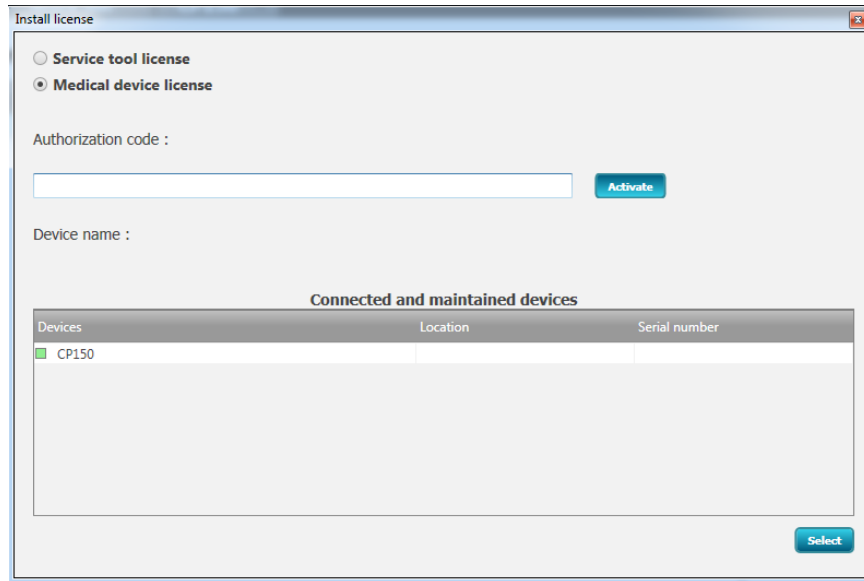
- For the license upgrade to take effect, press and hold the power button for about 8 seconds to reboot the device.

## (Optional) Upgrade your existing CP 150 device to DICOM through the Welch Allyn Service Tool administration menu

- Download the Service Tool Partner Connect and install on your PC.
- Follow the instructions to set up a user name and password.
- Plug your CP 150 device into a USB port on your PC running the Service Tool and turn on the device.
- Activate the license through the Administration menu. If the Welch Allyn Service Tool is not still open, go to the Windows Start menu, and then select **All Programs > Welch Allyn > Welch Allyn Service Tool**.
- Log in to the Welch Allyn Service Tool.
- Click on **Administration > Install license**.



- Use the radio button to select **Medical device license**.
- Enter the code you received for additional DICOM features for your device into the authorization code field.
- To choose the CP150 device, highlight the CP150 in the Device list.
- Click **Select**.

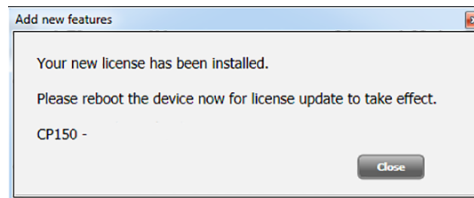


11. Click **Activate**. At the *Install License* screen, click **OK**.



**CAUTION** Do not disconnect or power off the device during license installation.

12. Once you see the *Add new features screen* confirming the license installation, click **Close** to close the Service Tool window.

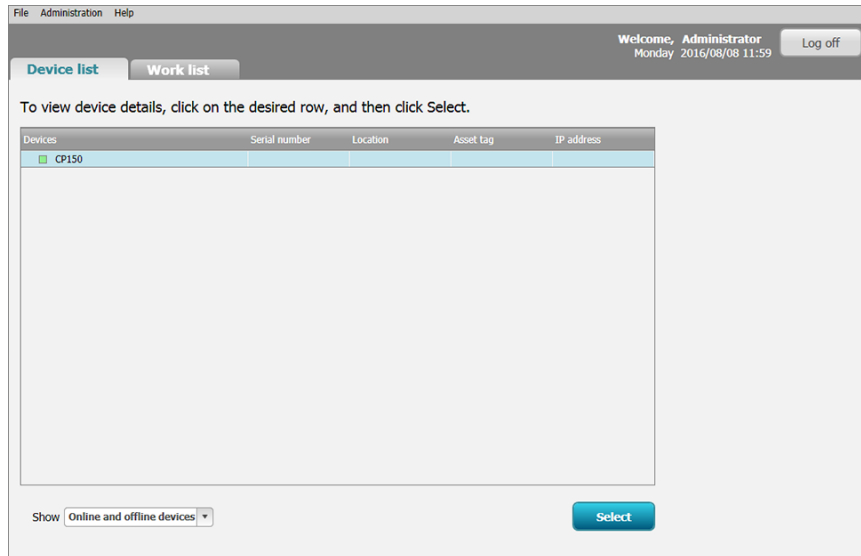


13. For the license upgrade to take effect, press and hold the power button for about 8 seconds to reboot the device.

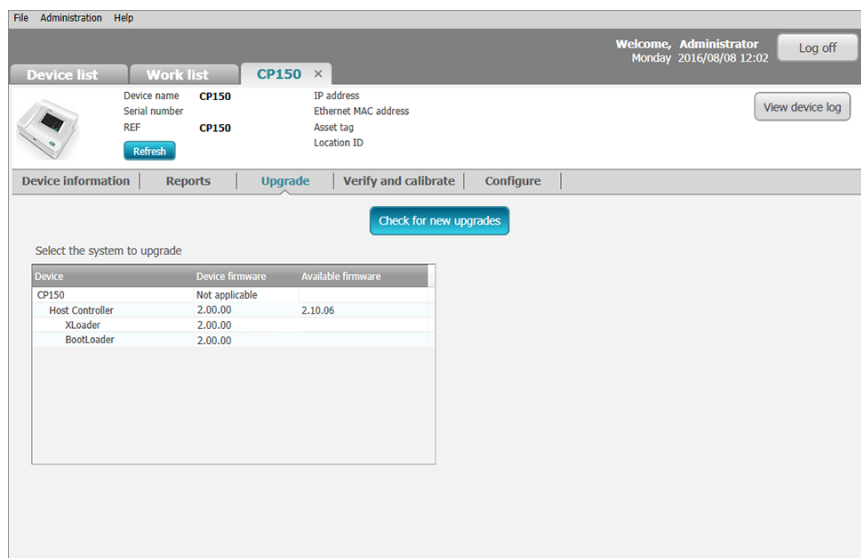
## Upgrade your existing CP 150 device wireless radio software version through the Welch Allyn Service Tool

**Note** A USB cable is required to perform the wireless radio software upgrade.

1. Download the Welch Allyn Service Tool and Partner Connect and install on your PC.
2. Plug your CP 150 device into a USB port on your PC running the Welch Allyn Service Tool and turn on the device.
3. If the Welch Allyn Service Tool is not still open, go to the Windows Start menu, and then select **All Programs > Welch Allyn > Welch Allyn Service Tool**.
4. Log in to the Welch Allyn Service Tool.
5. Highlight the CP150 to choose it from the Device list.
6. Click **Select**.



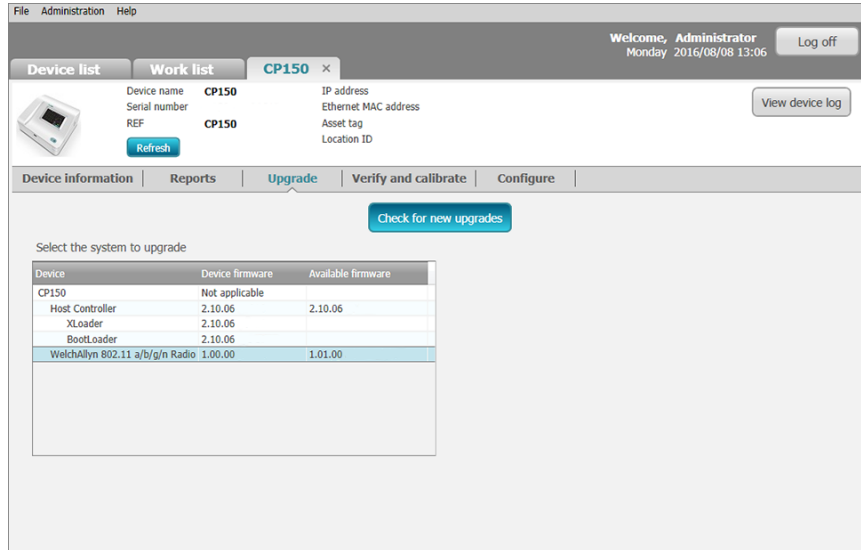
7. Click the **Upgrade** tab and then click **Check for new upgrades**.



**CAUTION** Do not disconnect or power off the device during the license installation.

8. Highlight the device software (for example, the firmware WelchAllyn 802.11 a/b/g/n Radio 1.XX.XX) to choose it from the list.

The device's current software (firmware) version shows in the Device firmware column and the latest available version shows in the Available firmware column.



- Once you see the *Upgrading Welch Allyn 802.11 a/b/g/n Radio...* screen confirming the completed installation, click **Close**.



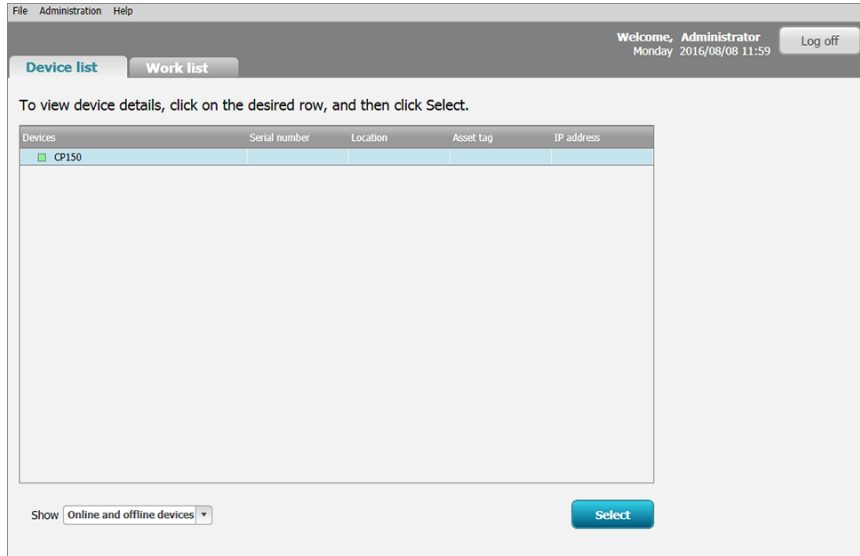
- For the wireless radio upgrade to take effect, press and hold the power button for about 8 seconds to reboot the device.

## Configure your network policy certificate through the Welch Allyn Service Tool

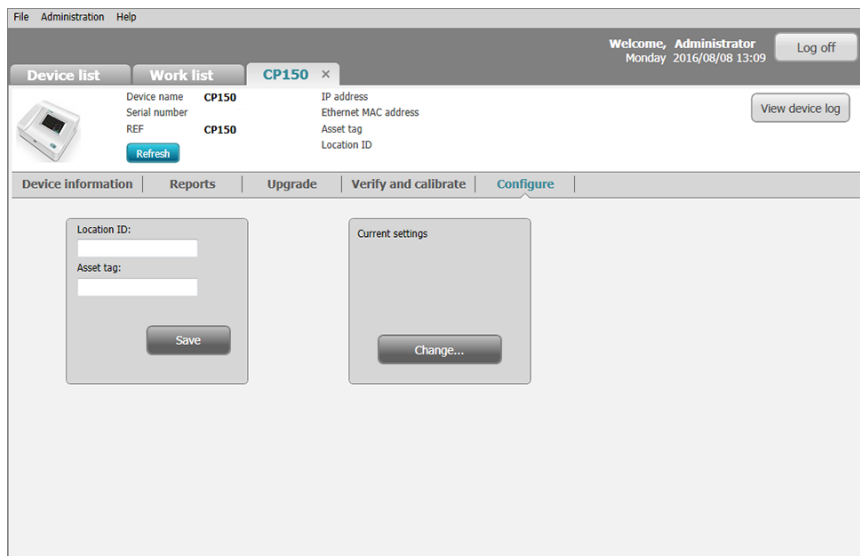
**Note** A USB cable is required to perform the network policy configuration.

- Download the Welch Allyn Service Tool and Partner Connect and install on your PC.
- Plug your CP 150 device into a USB port on your PC running the Welch Allyn Service Tool and turn on the device.
- If the Welch Allyn Service Tool is not still open, go to the Windows Start menu, and then select **All Programs > Welch Allyn > Welch Allyn Service Tool**.
- Log in to the Welch Allyn Service Tool.
- Highlight the CP150 to choose it from the Device list.
- Click **Select**.

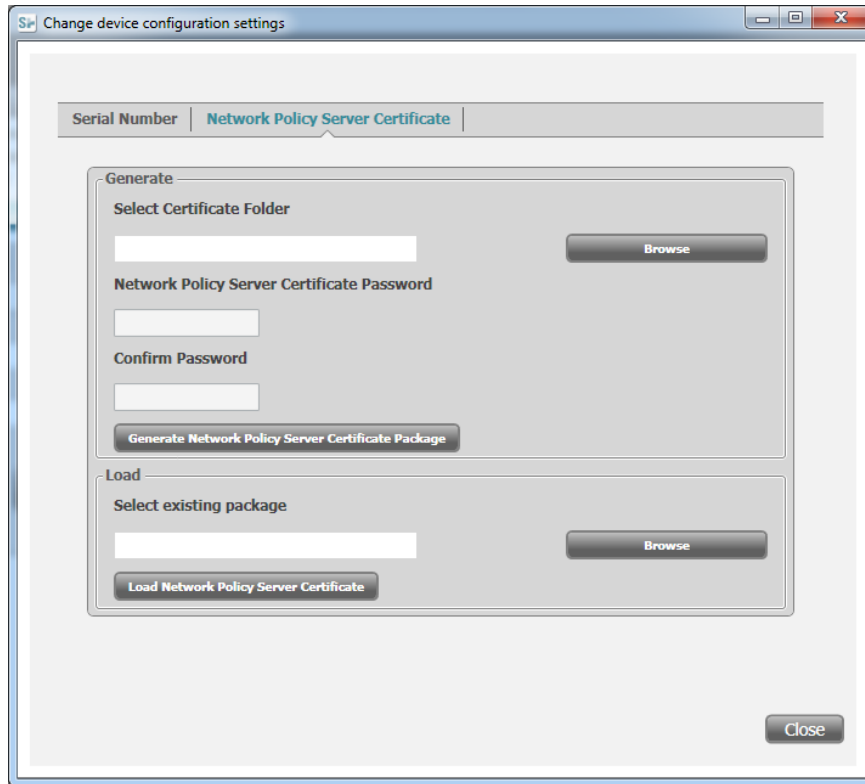




7. Click the **Configure** tab and then click **Change**.



8. Browse to your certificate folder and enter your Network Policy Certificate Password.



9. When the certificate update is complete, click **Close**.
10. For the Network Policy Certificate configuration to take effect, press and hold the power button for about 8 seconds to reboot the device.

## (Optional) Upgrade your CP 150 software using a USB flash drive

**Before you begin updating your CP 150, verify your current software version:**

1. Touch the **Settings** tab.
2. Touch the **Advanced** tab. The software version appears on the Advanced Tab screen. Take note of this version to verify that the latest software version is installed when you reach the end of the upgrade process.

To perform the update, you will need the following:

- A USB flash drive with the downloaded latest software.
- A cable to connect the CP 150 to AC power.
- An AC power outlet.

1. From the **Home** screen, touch the **Settings** tab.
2. Touch the **Advanced** tab.
3. Enter *6345* as the access code and touch **OK**. The General tab appears at the bottom of the screen and the Regional tab appears at the top of the screen.
4. Touch the **Service** tab.
5. Touch **Update** to update the software and then touch **OK** to confirm the installation.

6. Insert a USB flash drive containing the latest software into a USB port on the back of the device and touch **Update**. "Update complete. Press OK to reboot." appears after the update is complete.

7. Touch **OK**.

The device automatically reboots.

**Note** Do NOT remove the USB drive or AC power from the device during reboot.

8. Remove the USB drive from the CP 150 after the reboot completes.

**To verify the software version:**

- Touch the **Settings** tab.
- Touch the **Advanced** tab. The software version appears on the Advanced Tab screen
- Verify that the correct software version is listed for the CP 150. You are ready to use the updated software.

## Perform the full-functional tests

Complete the full-functional CP 150 tests to verify device functionality.

**Note** The functional verification tests help to confirm the proper operation of the device and its options. The tests may also be useful as a diagnostic tool to help isolate a malfunction.

The following off-the-shelf tools are required to complete the functional verification tests:

- Standard ECG Patient Simulator (example: Model 430B, Medi Cal Instrument, Inc. or equivalent)
- USB Cable (Type A connector to mini-B connector)
- Standard USB Thumb drive (256M to 64Gb, recommend 2Gb)
- RJ45 Ethernet cable (less than 3 M in length)

1. From the **Home** screen, touch the **Settings** tab.
2. Touch the **Advanced** tab.
3. Enter 6345 as the access code and touch **OK**.

The General tab appears at the bottom of the screen and the Regional tab appears at the top of the screen.

4. Touch the **Service** tab.
5. Touch the **Self-tests** tab.

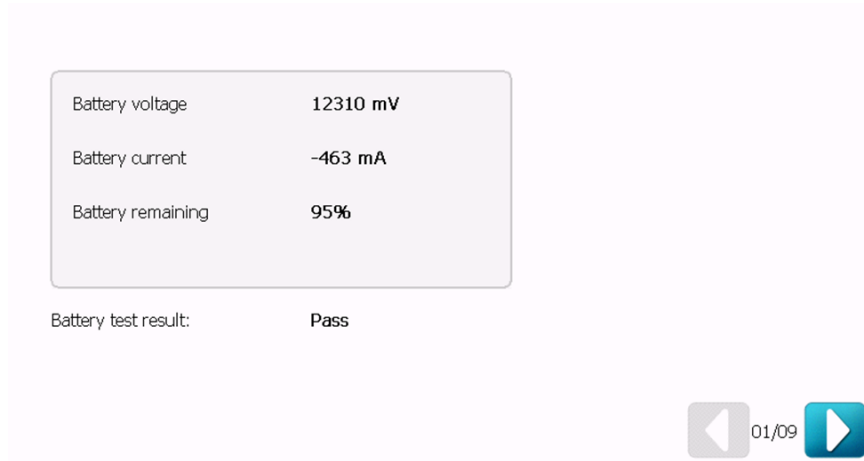
Test the hardware components.

6. Touch **CP 150** to perform the 9 hardware tests.

## Battery test


**Note** Ensure that the battery is installed and has been charged for a minimum of four hours before performing this test.

1. If the *Battery remaining* field shows 70% or less, replace the battery.




2. Touch  (Next) to perform the next functional test.

## Audio test

1. Touch  to play the audio sample.



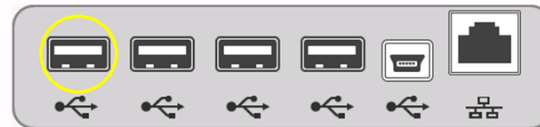
2. Touch **Yes** if you are able to hear the sound, or touch **No** if you are not able to hear the sound.
3. Touch  (Next) to perform the next functional test.

## USB host test

**Note** Welch Allyn has not validated specific USB flash drives. Use only 64Gb or less USB flash drives.


1. Insert a USB flash drive into each of the four ports on the back of the device and follow the instructions on the screen to test each of the ports.

Plug in a USB drive to the host USB port of CP 150 as indicated in the diagram.



USB host test

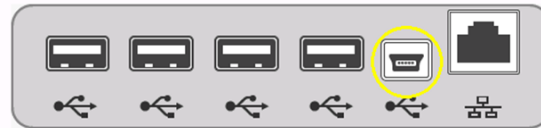


2. Touch **USB host test** to test each port from left to right.
3. Touch  (Next) to perform the next functional test.

## USB client test

1. Connect a USB type mini-B connector to the device client USB port and a type A connector to a free USB port on the PC. Verify that the PC is able to recognize CP150 device.

Connect a PC to the CP 150 mini USB port.  
Verify that the PC can recognize the CP 150.




Is the PC able to recognize CP 150?


Yes

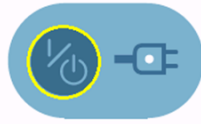
No



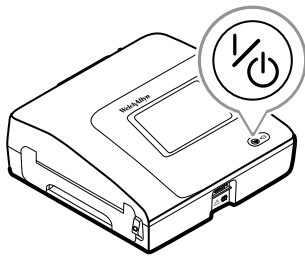
2. Touch **Yes** to confirm that your PC recognized the CP 150 device, or touch **No** if your PC did not recognize the CP 150 device.
3. Touch  (Next) to perform the next functional test.

## Keypad test

1. Press the  button on the device to check the On/Off keypad. "Pass" is indicated with a  $\checkmark$  (check mark) and "fail" is indicated with an **X**.



Press the On/Off switch.  
(Touch the next button to skip this test.)



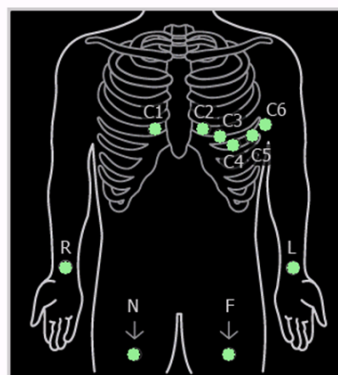
2. Touch  (Next) to perform the next functional test.

## ECG lead test

1. Connect a set of known good Patient Cables, with leads, to an ECG simulator.

**Note** Any yellow dots on the lead-status screen indicate unattached or poorly attached leads.

2. Verify the lead connection on the screen by observing that all leads appear green.



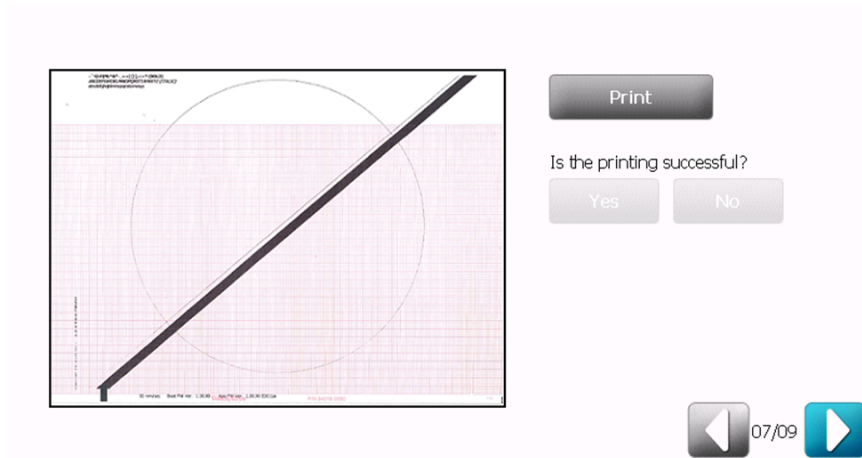
Provide an ECG signal input



3. Touch  (Next) to perform the next functional test.

## Printer pattern test

1. Touch **Print** to print a test page.

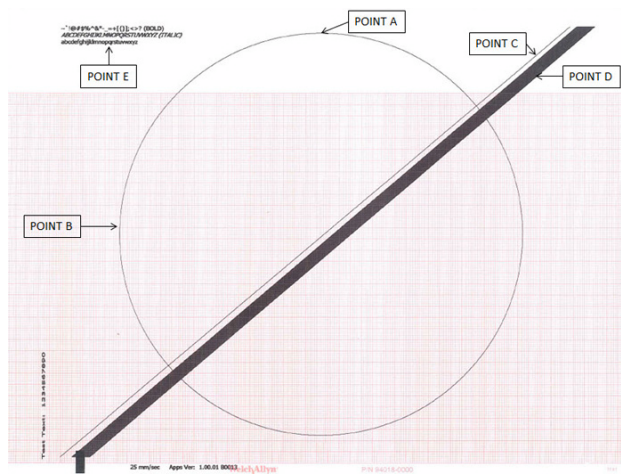



2. Use the specifications in the *Print verification checklist* table and the *Printer pattern test and check point* graphic to verify the correct operation of the device printer by comparing the pattern printed on the test page.

#### Print verification checklist

Point	Description
Point A	Verify the distance of the arc on the circle from the top edge of the paper is 11 mm +/- 3 mm
Point B	Verify the distance of the arc on the circle from the left edge of the paper is 50 mm +/- 5 mm
Point C	Verify that the line is straight and without breaks from top to bottom
Point D	Verify that the thick black line is uniform in blackness without breaks from top to bottom
Point E	Verify the print is readable
Point F	Verify line is straight and measures 100 mm +/- 5 mm

### Printer pattern test and check point



3. Touch **Yes** if the test page printed correctly, or touch **No** if the test page did not print correctly.
4. Touch  (Next) to perform the next functional test.

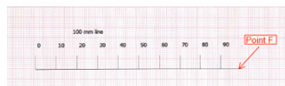
### Printer speed test


1. Touch each of the settings **10 mm/s**, **25 mm/s**, and **50 mm/s** to print a test page.



2. Use the speed test print page to verify the correct operation of the device printer by comparing the pattern printed on the test page to point F in the *Printer speed test and check point* graphic. The line should be a straight line that measures 100 mm (+/-5 mm).

### Printer speed test and check point



3. Touch **Yes** if the test page printed correctly, or touch **No** if the test page did not print correctly.
4. Touch  (Next) to perform the next functional test.



## Ping test


1. Use an Ethernet cable to connect the device to a known network and setup the CP 150 DHCP. (Refer to the CP 150 Directions For Use for setup instructions.) Under the Host address, enter the IP of a PC connected to the network. Touch the **Ping test** button to perform the test.

Host address:

Result:

Ping test



2. Touch  (Next) to exit the functional test.

## Test results

Battery test	Fail	ECG test	Fail
Buzzer test	Fail	Printer test	Fail
USB test	Fail	Ethernet test	Fail
Keypad test	Fail		

Contact Technical Support if any test fails.

**Note** To perform an optional spirometry calibration, refer to the *CP 150 spirometry option Directions for use* (English-only).

## Electrical safety testing

Welch Allyn recommends performing ground continuity and leakage current tests after all open-case repairs and dielectric strength testing <sup>1</sup> when replacing the power supply or primary wiring according to EN/IEC 62353 - Medical Electrical Equipment - Recurrent Test and Test After Repair of Medical Electrical Equipment.

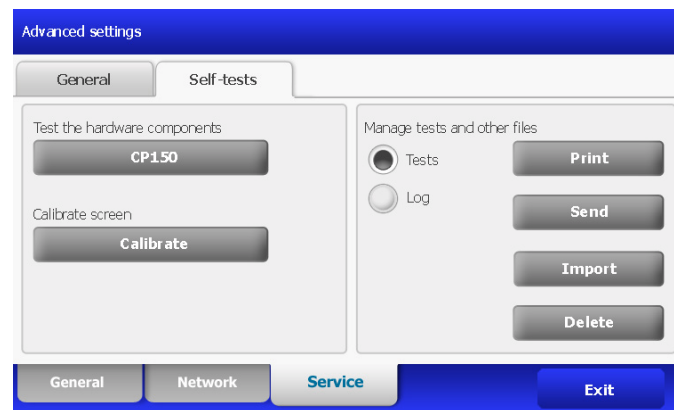
<sup>1</sup> Perform this test only if there is a reason to doubt the integrity of the electrical insulation (e.g. multiple trips of a residual-current device or liquid ingress of a saline solution). If you determine this test should be performed, return the device to Welch Allyn for service.

Due to the variability of test equipment in the field, Welch Allyn does not include specific instructions to perform electrical safety tests. When performing electrical safety tests, refer to your test equipment manuals for detailed instruction. The following table provides connections and test limits to assist you in performing these tests.

Test	Limits
Ground continuity	Ground continuity from EP stud* (equipotential terminal) to the Gnd pin of the IEC power connector shall be no greater than 0.1 ohms.
Leakage current	Leakage current shall be less than 500 $\mu$ A from EP stud* to mains (Line and Neutral pins of the IEC power connector).
Insulation resistance	Insulation resistance measurements shall be performed with 500V DC from EP stud to mains (Line and Neutral pins of the IEC power connector).

\* To locate the equipotential terminal, see "Controls, indicators, and connectors."

## Manage tests and other files



### Hardware components:

Button	Feature
CP 150	Tests the hardware components
Calibrate	Resets the touch screen calibration

### Tests:

Button	Feature
Tests + Print	Prints the patient list from the internal memory of the CP 150
Tests + Send	Sends the patient test list to a USB flash drive
Tests + Import	Imports the patient test list from a USB flash drive
Tests + Delete	Deletes the patient test list from the internal memory of the CP 150

**Logs:**

Button	Feature
Log + Send	Sends the log file to a USB flash drive
Log + Delete	Deletes the log file

## Restore factory defaults and export or import of the device configurations

**Restore factory defaults**

Button	Feature
<b>All Settings</b>	Restores every setting to the factory default setting.
<b>Printer page count</b>	Restores the printer page to 0. Use this feature after the printer assembly is replaced.
<b>Calibration gain</b>	Resets the spirometry calibration gain to 1.0
<b>Radio settings</b>	Restores every radio setting to the factory wireless radio default setting.

**Device configuration**

Configuration files can be exported and imported for backup purposes or to configure multiple CP150 devices.

Button	Feature
<b>Save to USB</b>	Saves the device configuration to USB flash drive.
<b>Configure from USB</b>	Loads the device configuration from USB flash drive.
<b>Print all settings</b>	Prints a list of all current CP 150 device settings to the device printer.
<b>Update</b>	Updates the device software from a USB flash drive.

**To begin the export or import process, insert a USB flash drive into one of the USB ports on the back of the CP150 device.**

1. From the Home screen, touch the **Settings** tab. The ECG tab and the vertical ECG configuration tab appear.
2. Touch the **Advanced** tab.
3. Enter *6345* as the access code and touch **OK**.

The General tab appears at the bottom of the screen and the Regional tab appears at the top of the screen.

4. Touch the **Service** tab.
  - Touch **Save to USB** to save the device configuration to USB.

- Touch **Configure from USB** to copy the configuration from USB.
- Touch **Update** to install the latest device software.

# Troubleshooting

---

Complete the full-functional tests prior to troubleshooting the CP 150 device

This section provides the following tables to help you troubleshoot the device.

- **Symptoms and solutions**
  - **System problems**
  - **Printer problems**
  - **User interface problems**
  - **Post test error messages**

These tables list symptoms you might observe, list possible causes, and suggest actions that might eliminate the problem. These tables can help you diagnose and fix a problem. They do not replace basic troubleshooting skills. You must still trace the source of the problem to the board or module level to decide the best course of action.

Welch Allyn does not support component-level repair to the board or module.

For available replacement parts, see *Field Replaceable Units*.



**WARNING** Do not perform troubleshooting on a device that is emitting smoke or exhibits other signs of excessive overheating. Disconnect the device from AC power and call Welch Allyn Technical Support immediately.



**CAUTION** Replace parts, components, or accessories only with parts supplied or approved by Welch Allyn. The use of any other parts can lead to inferior performance and will void the product warranty.

## Symptoms and solutions

### System problems

Symptom	Possible cause	Suggested action
The electrocardiograph does not power up when it is plugged into AC power and the AC power LED is not lit	There is no AC power	Check the AC fuses.
	AC fuse is blown	Check the AC fuses.
	Loose, disconnected, or faulty switch power flex	Reseat or replace the switch power flex.

Symptom	Possible cause	Suggested action
	Faulty or disconnected 60W power supply	Reseat or replaced the PSU-BAT harness CP150-0025. Replace the 60W power supply.
The electrocardiograph does not power up when it is plugged into AC power and the AC power LED is lit	LCD screen is faulty	Replace the 7 inch display assembly.
	Loose or faulty flex SMCE-LCD	Reseat the flex SMCE-LCD at SMCE or replace the flex SMCE-LCD.
	I/O board harness has a loose connection or is faulty	Reseat or replace the I/O harness.
	I/O board is faulty	Replace the I/O board.
The electrocardiograph does not power up when it is unplugged	The battery power is low	Charge the battery.
	The battery is disconnected	Check the battery connections.
	The battery is not charging, is depleted, or is faulty	Replace the battery.
The battery will not charge or the battery status displays a disconnected battery	Faulty battery	Replace the battery.
	Damaged pins on the battery connection point	Replace the battery case assembly.
	Smart bus harness has a loose connection or is faulty	Reseat or replace the harness.
When connected to AC power and with the battery installed, the battery status displays a faulty battery	Faulty battery	Replace the battery.
The electrocardiograph prints fewer than 10 reports on a full battery charge	The battery is degraded	Replace the battery.
While powered-on, the electrocardiograph does not respond when you touch the screen	The electrocardiograph cannot perform an immediate action because the software is unresponsive.	Reset the electrocardiograph by pressing and holding the power button for at least six seconds until the screen goes blank. Press the power button again to restart.  Note: The electrocardiograph will go through some diagnostic tests that will cause it to take longer than usual to power up.
Off-colored display	Loose or faulty flex SMCE-LCD	Reseat the flex SMCE-LCD at the SMCE or replace the flex SMCE-LCD.
	Faulty LCD display assembly	Replace the 7 inch display assembly.
No response when LCD screen is touched	Loose or faulty flex SMCE-LCD	Reseat the flex SMCE-LCD at the SMCE or replace the flex SMCE-LCD.
	Faulty LCD display assembly	Replace the 7 inch display assembly.

Symptom	Possible cause	Suggested action
Unable to obtain a valid IP address when DHCP is turned on	Local network problem	Verify working network connection.
	The communication board is disconnected	Reseat the communication board connection.
Incorrect waveform while connected to a simulator	Faulty patient cable	Replace the patient cable.
	Loose ECG harness	Reseat the ECG harness.
	Faulty ECG board	Replace the ECG board.
All leads showing off	Faulty patient cable	Replace the patient cable.
	Loose ECG harness	Reseat the ECG harness.
	Faulty ECG board	Replace the ECG board.

## Printer problems

Symptom	Possible cause	Suggested action
The paper does not feed	The paper is jammed	Reload the paper.
	Lost communication	Reseat the printer harness.
	The printer door is open	Close the printer door.
	The door sensor is faulty	Replace the door sensor.
	The motor is faulty	Replace the motor.
	The motor gear is faulty	Replace the gear assembly.
The paper is blank	Lost communication	Reseat or replace the printer harness.
	Faulty print head	Replace the print head assembly.
	Error loading the paper	Check to ensure that the printer door is fully closed. Check the orientation of the paper.
	The wrong type of paper is being used	Use only Welch Allyn approved paper.
The electrocardiograph shuts down during printing when in battery mode	The battery is low or faulty	Recharge or replace the battery.
Printing is not clear or is garbled	Foreign particles on the printer heating element	Clean the heating element of the printer to remove any foreign particles. Apply isopropyl alcohol to a cotton swab and wipe off the heating element surface. Allow to dry completely.
	Faulty print head	Replace the print head assembly.

Symptom	Possible cause	Suggested action
	Loose patent roller	Reseat the patent roller on the paper tray assembly.
		Check the patent roller catch for a crack. If a crack is found, replace the paper tray assembly.
Door open message even when door is closed	Loose door sensor harness connection	Reseat door sensor harness connector.
	Faulty door sensor	Replace door sensor.
	Missing dowel pin on one side of the paper tray assembly	Replace paper tray assembly.
Grinding sound in the gear	Wear of the gear assembly	Replace gear assembly.
	Presence of a foreign object in the teeth of the gear	Clean and remove foreign object from the gear assembly.






## User interface problems

Symptom	Possible cause	Suggested action
Battery is critically low. Shutting down...	Device automatically shuts down when it reaches the shutdown capacity. This prevents file system corruption. (May lose the last unsaved test.)	If you are unable to charge the battery, replace the battery.
ECG front-end microprocessor board error. Contact Technical Support.	ECG Front End detects CPLD Voltage error which indicates that any ECG data received from it is invalid. The Front End will notify the microcompute engine and will display this error. When the error is acknowledged, the device will shutdown.	Check connection to the ECG board. If connection is okay, replace ECG board. If the ECG front end error is still received, replace the small microcompute engine board.
Export/Import unsuccessful	Faulty communication module	Replace I/O board.
	Loose or faulty I/O harness	Reseat or replace I/O harness.
	USB flash drive is at wrong port	Insert flash drive at correct port and try again.
	Faulty Small microcompute engine	Replace small microcompute engine.
Internal printer error. Contact Technical Support.	The printer error includes the following: <ol style="list-style-type: none"> <li>RAM error.</li> <li>Print head temperature above 70°C (replace printer FSS).</li> <li>Flash memory error.</li> </ol>	Check communication between the printer board and communication board. If the board tries to communicate with the printer and the printer responds with an error message, then complete a printer functional test to ensure printer is operating properly.  Check harnesses on printer to see if they are loose.



Symptom	Possible cause	Suggested action
		If problem persists, replace the print head assembly and printer board.
Internal printer is overheated. Try to print again after 10 minutes to let the printer cool down.	Extended printing has caused the print head to overheat.	If printing at a high speed for an extended period of time, the printer will overheat and will notify the small microcompute engine board that it is overheating and needs to stop and cool down. Contact Technical Support if printer displays this message when high-speed printing has not taken place.
The read-back file is corrupted.	During the Service USB Host test, the content read back from file does not match the content previously written.	Ensure that the thumb drive and port are working properly. If using another thumb drive results in the same error, contact Technical Support.
Internal printer is out of paper. Reload.	The cue marker on the paper sensor is causing the printer to incorrectly identify that paper tray is empty.	Check Que Sensor board and harness.

## Post test error messages

Symptom	Possible cause	Suggested action
System Fault code  01	Battery capacity is at critical capacity and auxiliary power is not present	Ensure that AC power is plugged in.  Check for faulty battery and/or 60W power supply.  Check all harness to power supply.
System Fault code  02	Core image verification fails	Reload software through the Welch Allyn Service Tool.
System Fault code  03	Core image is missing	Reload software through the Welch Allyn Service Tool.
System Fault code  04	Software update failure	Reload software through the Welch Allyn Service Tool.
System Fault code  05	RAM Test failure	Check for faulty SMCE board.

# CP 150 spirometry option symptoms and solutions

## Problem-solving suggestions

If you try these suggestions and still have problems, contact Welch Allyn.

**Note** Your model might not contain this feature.

Symptom	Possible cause	Suggested action
Unable to calibrate	Poor connection between flow transducer and sensor	Check the connection between flow transducer and sensor.
	Damage to flow transducer	Replace the flow transducer if it is damaged.
	Leak during calibration.	Ensure that the connection between the calibration syringe and flow transducer is tight with no leaks.
	Uneven calibration strokes.	Use even strokes in calibration.
	Pressure tubing is kinked	Replace pressure tubing.
Calibration fails consistently. Unable to achieve a $\pm 3\%$ error percentage margin (with confirmed good syringe and tubing and correct calibration techniques).	Altitude and atmospheric pressure beyond tolerance causes the calibration reading to be above the 3% error margin.	After a failed calibration, touch <b>Accept</b> even though the calibration result is above the 3% error margin. Accepting the calibration result will adjust the gain value closer to the correct atmospheric pressure. Perform the calibration again.
No sensor detected	Poor connection between the sensor and the device	Connect to another USB port. Replace the USB cable.
Does not print	Out of paper	Load paper. See the CP 150 electrocardiograph manual, entitled <i>CP 150 12-lead resting electrocardiograph Directions for use</i> .
	Paper jam	If the paper is jammed, clear it, then reload.
Values are too high (intermittent)	Patient's fingers obstructed the screen on the back of the flow transducer, causing high back pressure and false reading	Retest.
	Patient's lips were not tightly sealed around the flow transducer	Retest.
	Spirometer was calibrated with the wrong size syringe	Recalibrate with a 3-liter syringe. See <i>Perform a calibration</i> in the spirometry manual entitled <i>CP 150 spirometry option, Directions for use</i> (English-only).

Symptom	Possible cause	Suggested action
Values are too high (consistently)	Pressure connection is partially obstructed	Remove any foreign substance from the flow transducer or pressure tubing.
Predictive values are blank	The selected norm does not support certain values, and composite norm values are disabled	<p>Re-enter age/birth date, height, gender, race. (Fill in the fields. All mandatory fields must be filled in before you can proceed.)</p> <hr/> <p>Enable composite norm values. See <i>View or change the spirometry settings</i> in the spirometry manual entitled <i>CP 150 spirometry option, Directions for use</i> (English-only).</p>
The flow sensor has been dropped.	Accident	Recalibrate. See <i>Perform a calibration</i> in the spirometry manual entitled <i>CP 150 spirometry option, Directions for use</i> (English-only).
Report does not print parameters or graphs.	Improper parameter settings	Check print settings. See <i>View or change the spirometry settings</i> in the spirometry manual entitled <i>CP 150 spirometry option, Directions for use</i> (English-only).
Patient test values differ from values expected by physician.	Various	<p>If the transducer is contaminated with sputum or secretions, replace it.</p> <p>Verify that proper barometric pressure has been entered. See <i>Perform a calibration</i> in the spirometry manual entitled <i>CP 150 spirometry option, Directions for use</i> (English-only).</p> <p>Verify the patient data.</p> <p>Eliminate any leaks in the pressure tubing.</p> <p>Retest using a nose clip.</p> <p>Replace the sensor if damaged.</p> <p>Recalibrate.</p> <p>Replace the transducer and retest.</p>



# Guidance and manufacturer's declarations

---

## EMC compliance

Special precautions concerning electromagnetic compatibility (EMC) must be taken for all medical electrical equipment. This device complies with IEC EN 60601-1-2:2015.

- All medical electrical equipment must be installed and put into service in accordance with the EMC information provided in this document and the *Welch Allyn CP150 Electrocardiograph Directions for Use*.
- Portable and mobile RF communications equipment can affect the behavior of medical electrical equipment.

The Welch Allyn CP150 Electrocardiograph complies with all applicable and required standards for electromagnetic interference.

- It does not normally affect nearby equipment and devices.
- It is not normally affected by nearby equipment and devices.
- It is not safe to operate the electrocardiograph in the presence of high-frequency surgical equipment.
- However, it is good practice to avoid using the electrocardiograph in extremely close proximity to other equipment.

## Emissions and immunity information

For information about electromagnetic compatibility (EMC), see the *Welch Allyn CP 150 12-lead resting electrocardiograph Directions for Use*



# Disassembly, repair, and reassembly

---

These procedures provide instructions for system disassembly and board removal. Except where otherwise noted, the assembly procedure is the reverse of the disassembly procedure.

Each procedure may include the following:

- **Reassembly notes:** This contains information specific to reassembly not addressed in the disassembly instructions.



**WARNING** Electrical shock hazard. Disconnect power before opening the device.



**CAUTION** Before disassembling the device, disconnect the AC power cord and any attached accessories.



**CAUTION** Perform all repair procedures at a static-protected station.



**CAUTION** When the system case is opened, regard all parts as extremely fragile. Execute all procedure steps with care and precision.

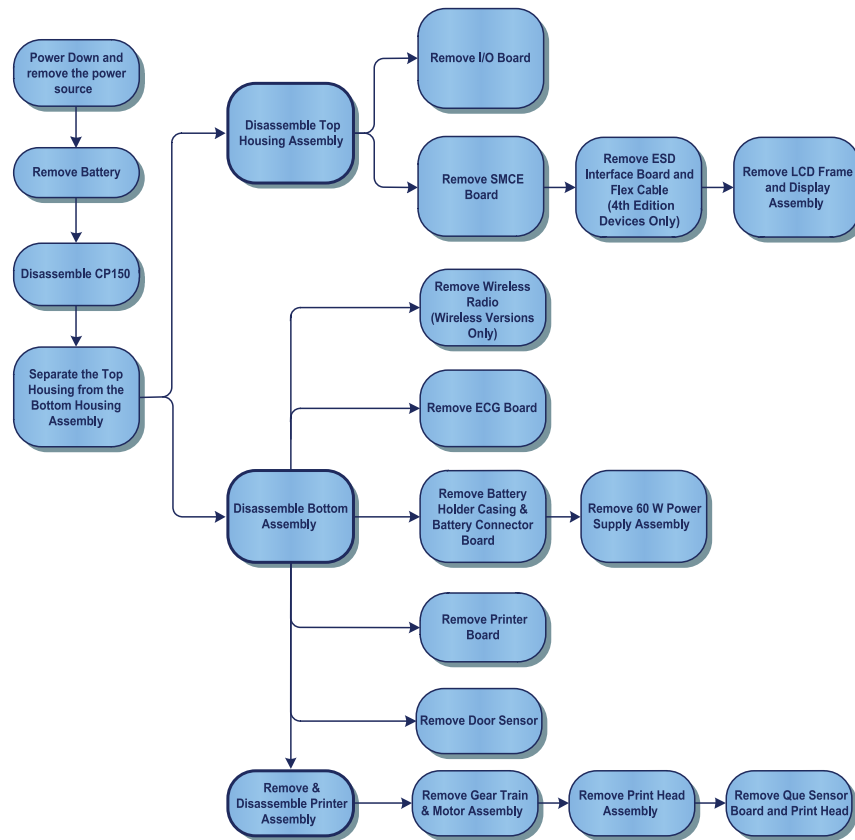


**CAUTION** Observe screw torque specifications, especially with screws that secure directly into plastic standoffs.



**CAUTION** To avoid mismatching screws and holes, keep the screws for each piece with that piece as you remove modules and circuit assemblies.

## CP 150 disassembly flow chart



## Required tools and equipment

- #1 Phillips bit
- #2 Phillips bit
- #10 Torx bit
- 3/16" Hex Socket
- 1/4" Hex Socket
- Torque driver calibrated for 3.5 in-lb  $\pm$ 0.5 in-lb
- Torque driver calibrated for 4.0 in-lb  $\pm$ 0.5 in-lb
- Torque driver calibrated for 5.0 in-lb  $\pm$ 0.5 in-lb
- Tie-wrap cutter



**Note** The torque specifications are only applicable for the assembly processes.

**Tools and torque value used during reassembly of Main Unit:**

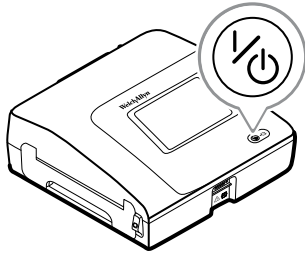
Part Number	Description	Torque Specification	Bit/Socket Type
713017	Shoulder Screw, EAR G-411-1 Metric	5 in-lb ±0.5 in-lb	PH2
106124-34	Screw 4-20 .375 Pan Phillips	5 in-lb ±0.5 in-lb	PH1
713016	Screw, M3 x 5 Pan Head	5 in-lb ±0.5 in-lb	PH1
728180	Screw, M3 x 0.5 x5 Pan Head with Ext Lock Washer	5 in-lb ±0.5 in-lb	PH1
761077-1	Wire Tie	INT	N/A
713031	Screw, M4 X 10 Pan Head	5 in-lb ±0.5 in-lb	PH2
716960	Shoulder Screw M3 PHD	5 in-lb ±0.5 in-lb	PH1

**Tools and torque value used during reassembly of Printer Assembly:**

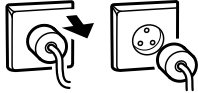
Part Number	Description	Torque Specification	Bit/Socket Type
703246	Screw, M3 X 0.5, Pan Phillips	5 in-lb ±0.5 in-lb	PH1
700118	Shoulder Screw M3 X .5	4 in-lb ±0.5 in-lb	3/16" Hex Socket
106137-1	Nut, 4-40X.250 Hex, KEPS Extlock	3.5 in-lb ±0.5 in-lb	1/4" Hex Socket
703258	Screw M3 X 6 PHP FH	5 in-lb ±0.5 in-lb	PH1
106124-34	4-20 0.375 Pan Head Screw	5 in-lb ±0.5 in-lb	PH1
713015	4-20x.5 Pan Head Plastite Screw	5 in-lb ±0.5 in-lb	T10
761077-1	Wire Tie	INT	N/A

## Power down the electrocardiograph

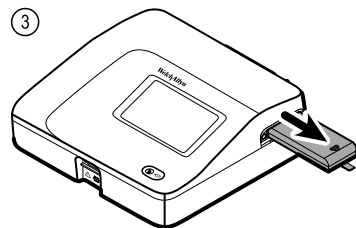
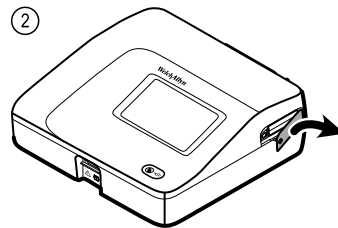
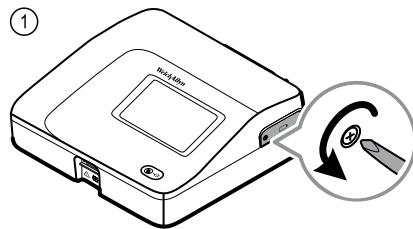
1. Press and hold the  button for 6-8 seconds to shut down the electrocardiograph.



2. Remove the power supply.

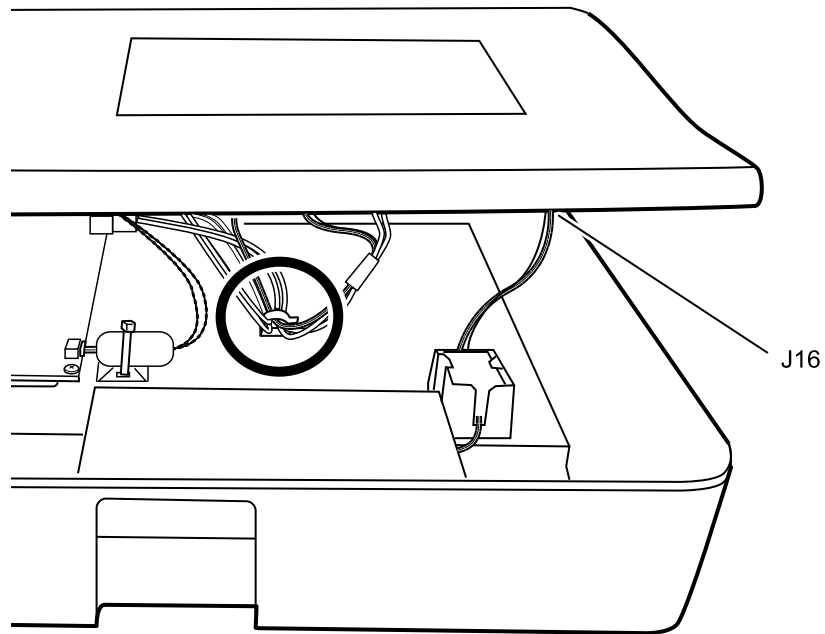


## Remove the battery

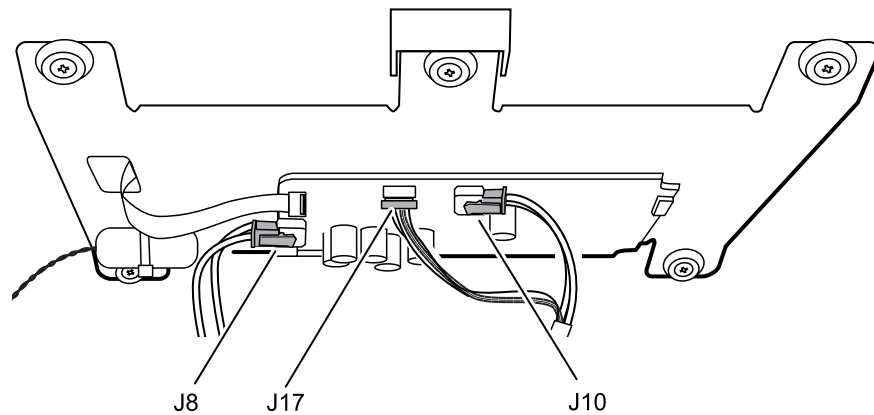


## Separate the top housing assembly from the bottom housing assembly

1. Turn the electrocardiograph over to access the bottom housing assembly.
2. Remove the eight M4x10 screws from the bottom housing assembly using a #2 Phillips bit.
3. Turn the electrocardiograph over again to access the top housing assembly.
4. Lift up the top housing assembly to access the printer board.
5. Unhook the harness cables from the printer top assembly.
6. Disconnect the harness cable at J16 from the small-medium compute engine (SMCE) board.

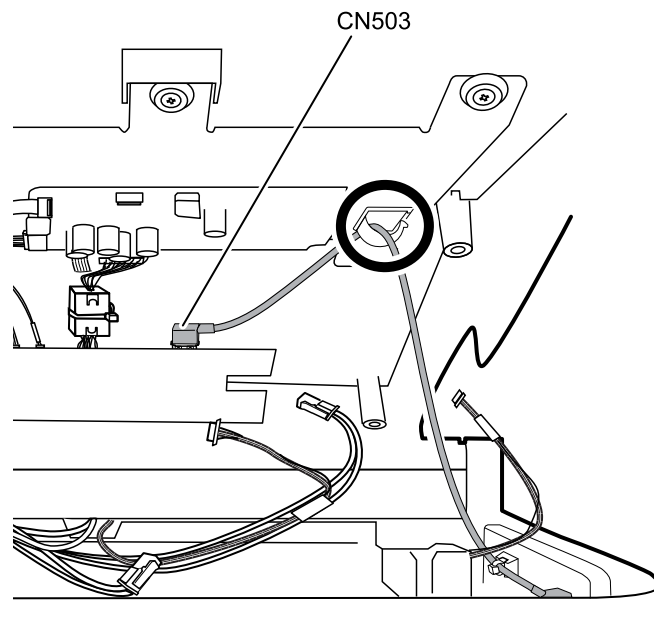


7. Cut the wire tie on the EMC ferrite.
8. Disconnect the three harness cables at J8, J17, and J10 from the small-medium compute engine (SMCE) board.



9. Unhook the wireless radio USB cable from the LCD frame catch.
10. Disconnect the wireless radio USB cable at CN503 from the Input/Output (I/O) communication board.

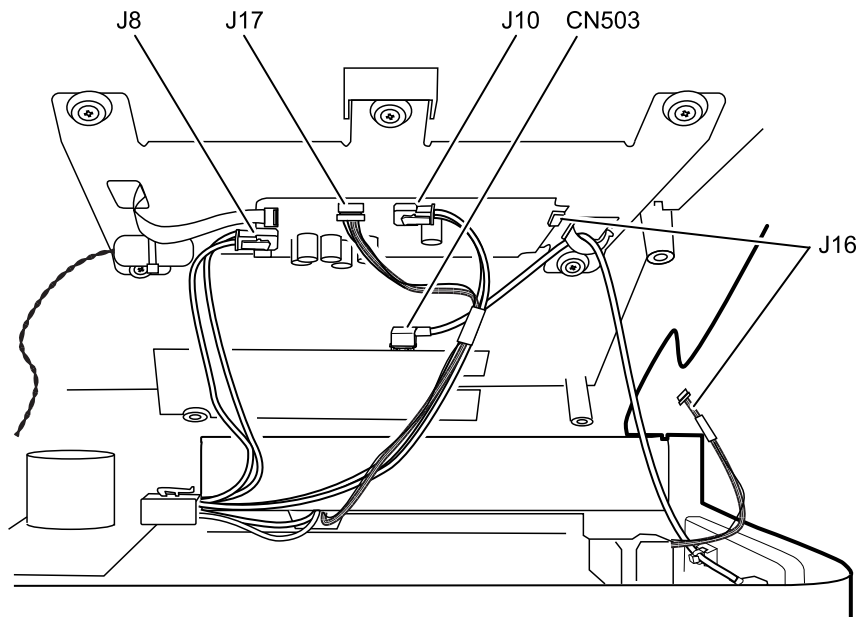
**Note** Your model might not contain this feature. Steps 9 and 10 only apply to models with a wireless radio.



11. Lift off the top housing and set aside for reuse during reassembly.

**Reassembly note**

- Use a #2 Phillips bit and a Torque driver calibrated to 5.0 in-lb  $\pm$  0.5 in-lb to secure the bottom housing screws.

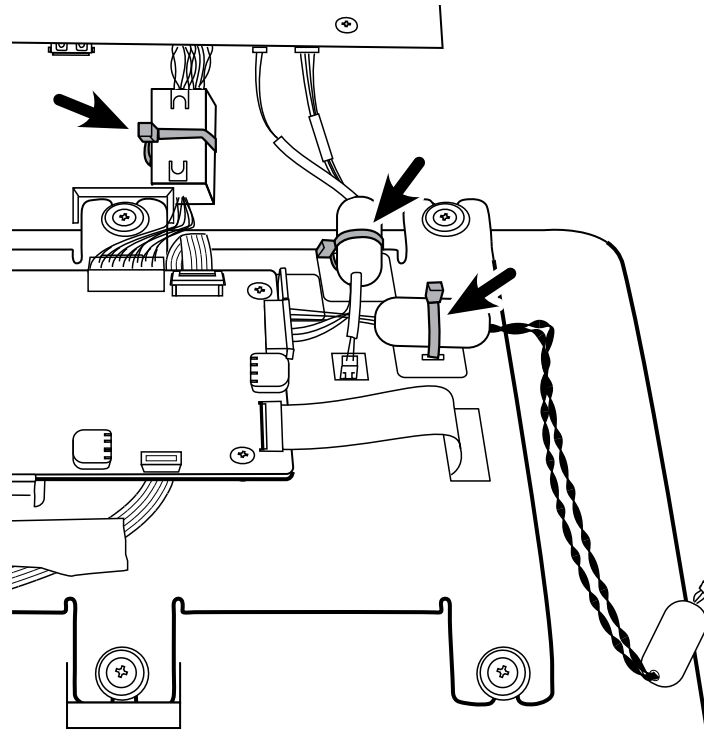
**Cable identification for reassembly:**

## Top housing disassembly

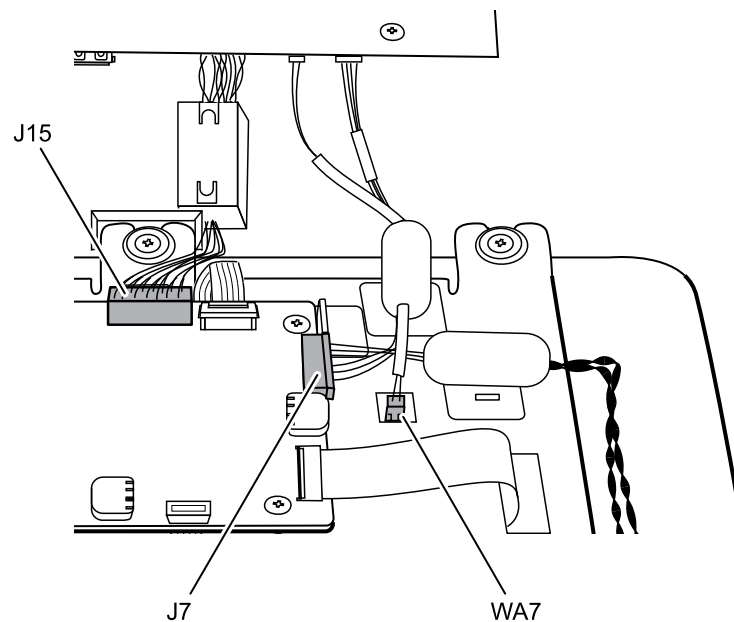
These procedures provide instructions for system disassembly and board removal. Except where otherwise noted, the assembly procedure is the reverse of the disassembly procedure.

### Remove the Input/Output (I/O) communication board

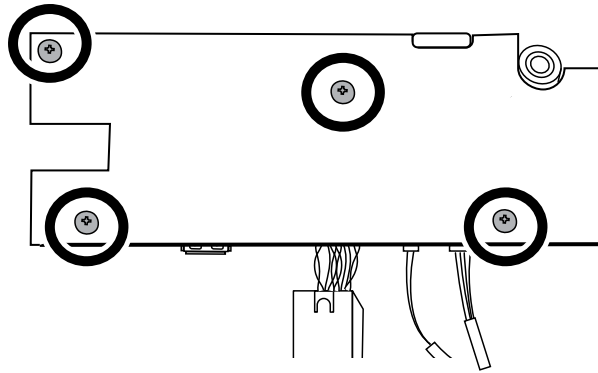
- Separate the top housing assembly from the bottom housing assembly as described.
1. Cut the wire tie on the ECG ferrite and the two wire ties on the EMC harness ferrites.



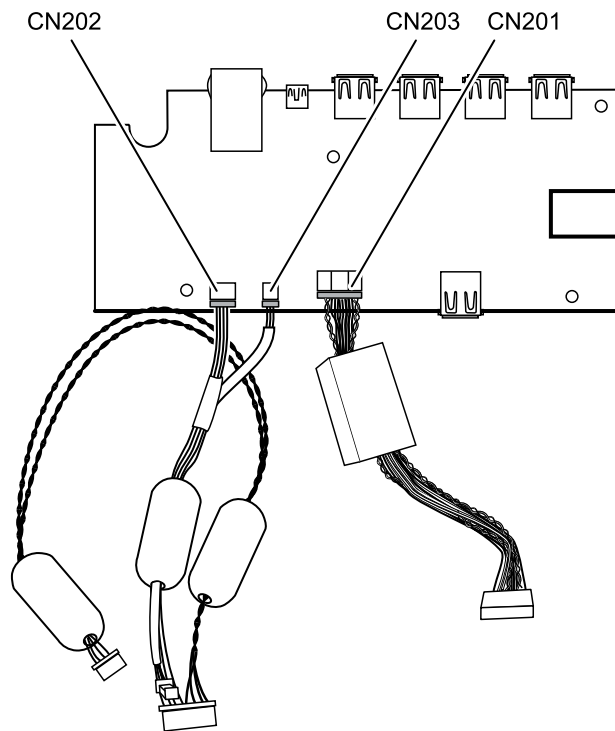
2. Disconnect the J7 and J15 connectors from the SMCE board.
3. Disconnect the WA7 connector from the display assembly.



4. Remove the four 4-20 self-tapping screws from the I/O board using a #1 Phillips bit.



5. Disconnect the three harness cables at CN202, CN203, and CN201 from the I/O board and remove the harnesses.



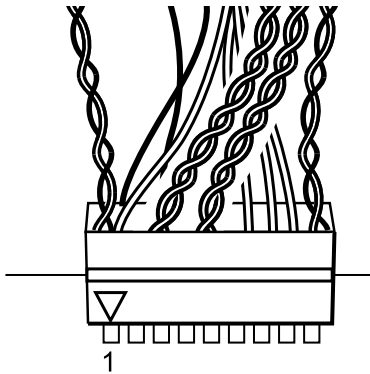
**Note** Set the harness cables aside for reuse during reassembly.

#### Reassembly note

- Use a #1 Phillips bit and a Torque driver calibrated to 5.0 in-lb  $\pm$  0.5 in-lb to secure the SMCE board screws.

#### SMCE I/O harness cable connection for reassembly:

**Note** Ensure that the twisted white wires of the J15 SMCE I/O harness face the center of the SMCE board so that the pins line up correctly.

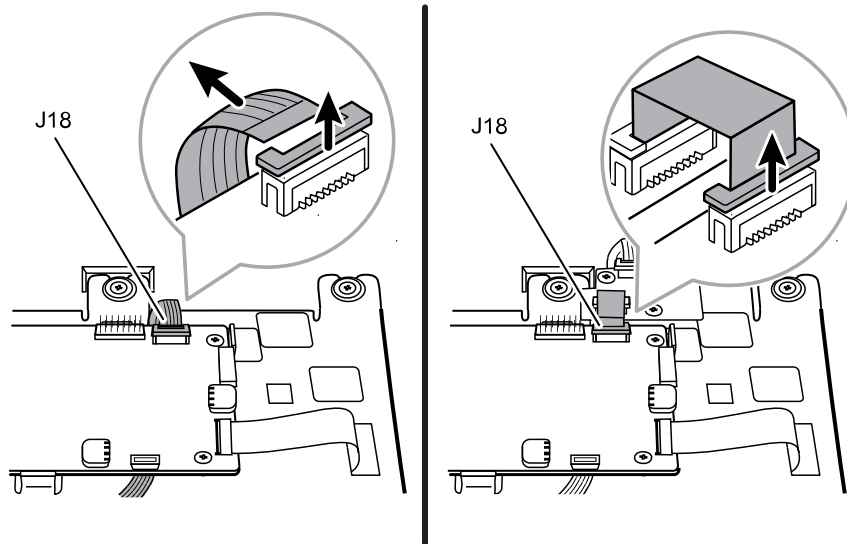


## Remove the SMCE board

- Separate the top housing assembly from the bottom housing assembly as described.
1. Lift up the latch of the J18 connector on the SMCE board and disconnect the flex cable.

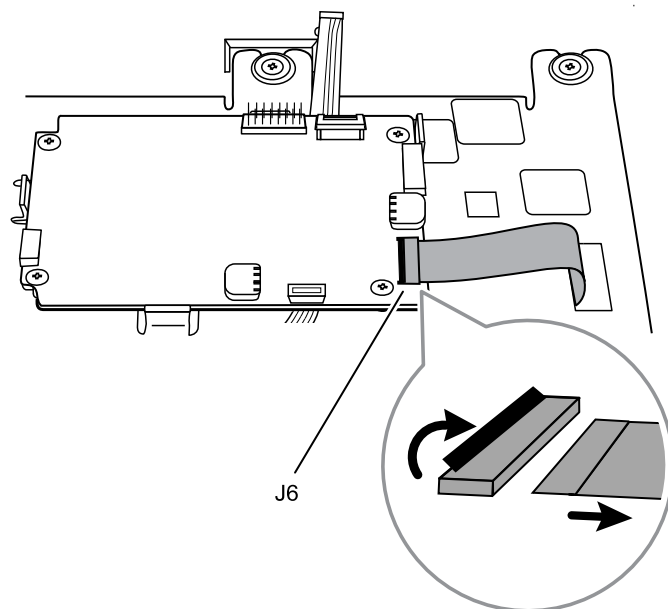
### Note

In the image below, the illustration on the right represents a 4th Edition electrocardiograph.

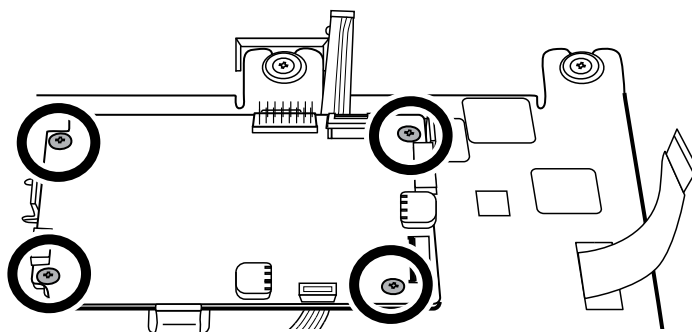


2. Gently pull up on the locking tab latch of the J6 connector on SMCE board and slide out the flex cable.





3. Remove the four M3x5 screws from the SMCE board using a #1 Phillips bit.



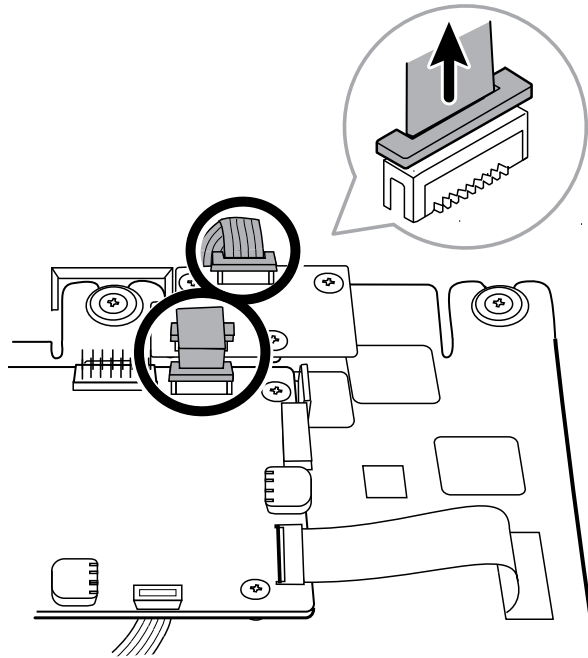
#### Reassembly note

- Use a #1 Phillips bit and a Torque driver calibrated to 5.0 in-lb  $\pm$  0.5 in-lb to secure the SMCE board M3x5 screws.

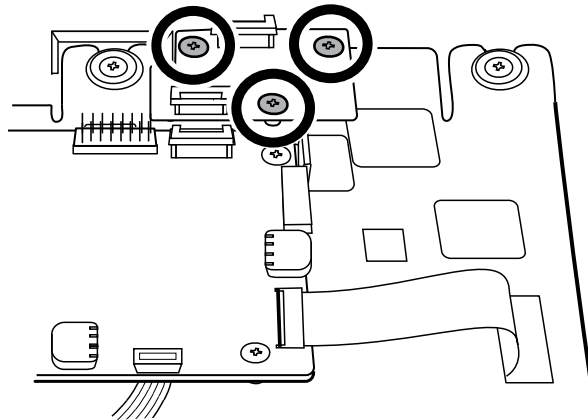
## Remove the interface board

**Note** This section only applies to 4th Edition electrocardiograms.

1. Lift the latch of the connectors on the SMCE board and the interface board and disconnect the flex cables.



2. Remove the three screws on the interface board.



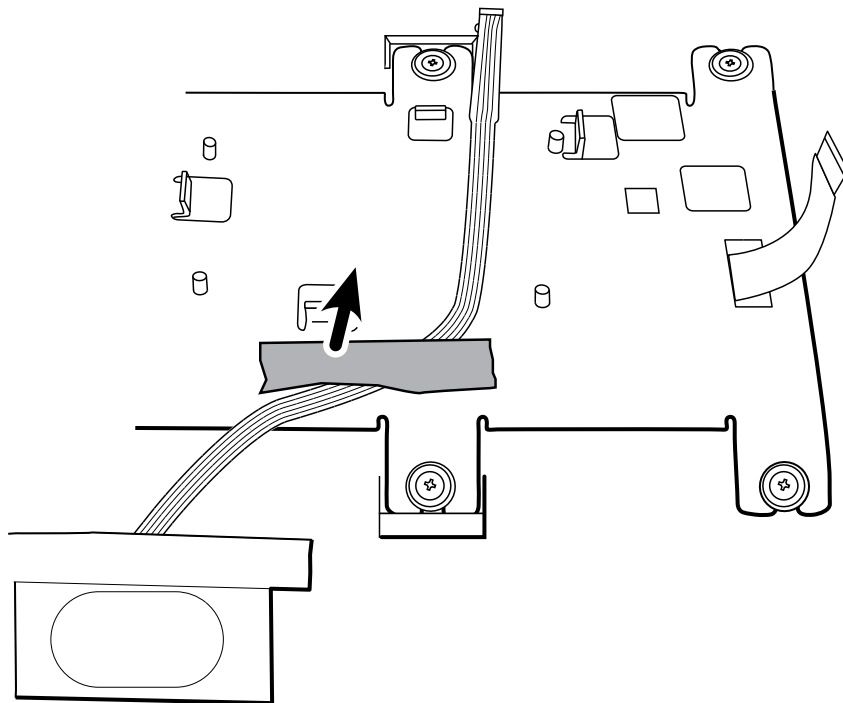
3. Remove the interface board.

#### Reassembly notes

- Use a #1 Philips bit and a Torque driver calibrated to 5 in-lb  $\pm$ 0.5 in-lb to secure the interface board to the LCD frame.

### Remove the LCD frame and display assembly

- Separate the top housing assembly from the bottom housing assembly as described.
1. Remove the Pro-Gaff tape that holds the power switch flex cable to the LCD frame and the top housing assembly.

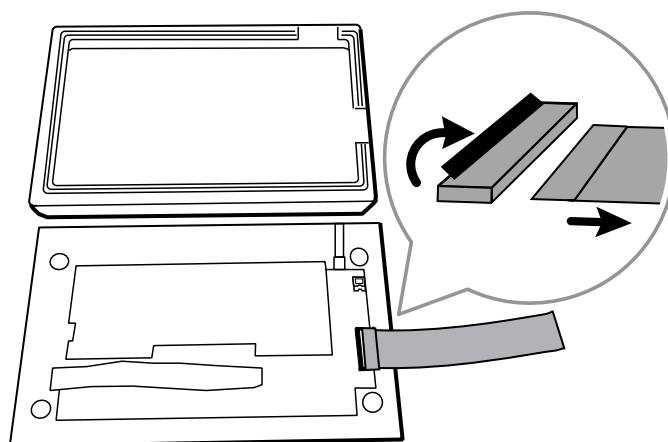


2. Remove the six shoulder screws on the LCD frame using a #2 Phillips bit.
3. Remove the LCD frame.
4. Remove the LCD display and gasket from the top housing assembly.

**Note:** Be sure to support the LCD display if you are removing it with the frame.

5. Remove the LCD display gasket.
 

Set aside the LCD gasket for reassembly.
6. Unlock the LCD flex connector from the LCD display assembly.



### Reassembly notes

- Use a #2 Phillips bit and a Torque driver calibrated to 5.0 in-lb  $\pm$  0.5 in-lb to secure the LCD frame shoulder screws.
1. Ensure that the LCD flex cable is not under the LCD frame.



**CAUTION** The LCD flex cable is extremely fragile and easily damaged. Do not cause creases that may break the connections.

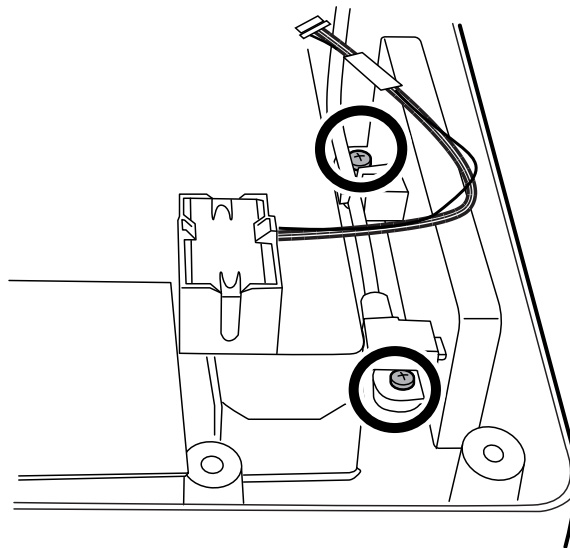
2. Insert the LCD display into the gasket with the exposed printed circuit board on the bottom. Verify that the LCD flex cable feeds through the gasket's notched clearance feature.
3. Place the LCD frame over the display. Verify that the LCD frame does not cover the LCD flex cable.

## Bottom housing disassembly

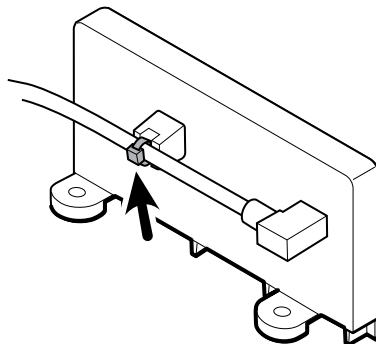
These procedures provide instructions for system disassembly and board removal. Except where otherwise noted, the assembly procedure is the reverse of the disassembly procedure.

### Remove the wireless radio

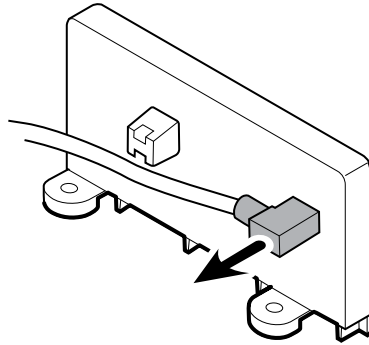
- Separate the top housing assembly from the bottom housing assembly as described.
1. Remove the two M4 pan head screws from the WiFi radio holder using a #2 Phillips bit.



2. Remove the WiFi radio holder.
3. Cut the wire tie on the WiFi radio holder.



4. Disconnect the WiFi radio USB cable connector from the WiFi radio holder.

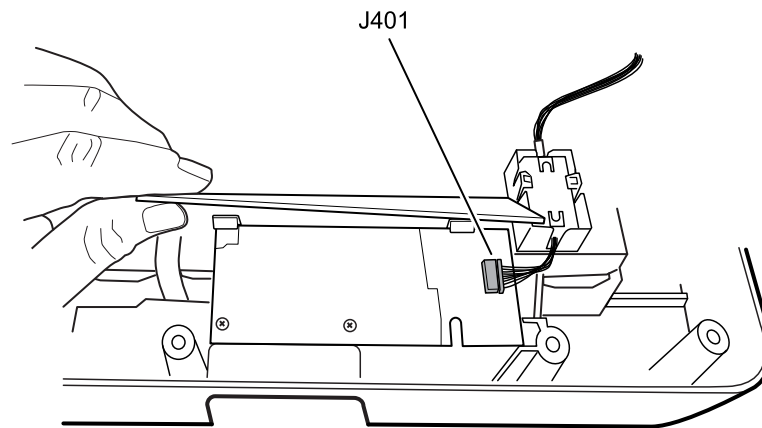


#### Reassembly notes

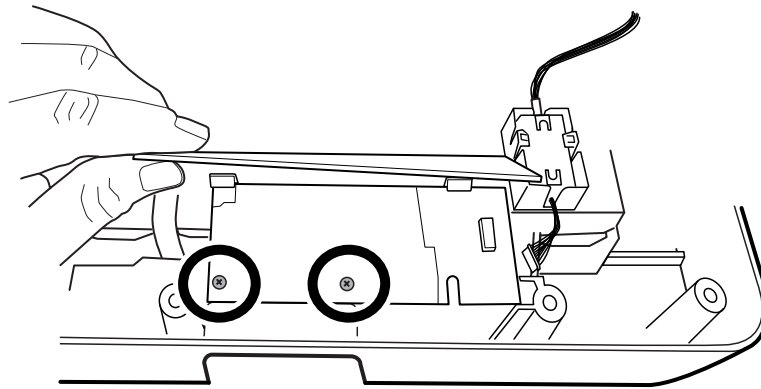
- Use a #2 Phillips bit and a Torque driver calibrated to 5.0 in-lb  $\pm$  0.5 in-lb to secure the two M4 pan head screws to the WiFi radio holder.

### Remove the ECG board

- Separate the top housing assembly from the bottom housing assembly as described.
1. Lift up the ECG cover to access the ECG board.
  2. Disconnect the J401 connector from the ECG board.



3. Remove the two M3x5 screws from the ECG board using a #1 Phillips bit.



4. Push back slightly on the two latches to remove the ECG board from the bottom assembly.

#### Reassembly note

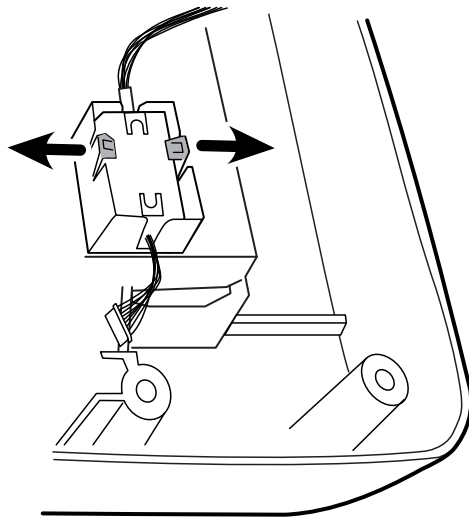
- Use a #1 Phillips bit and a Torque driver calibrated to 5.0 in-lb  $\pm$  0.5 in-lb to secure the ECG board screws.

### Remove the ECG ferrite

- Separate the top housing assembly from the bottom housing assembly as described.

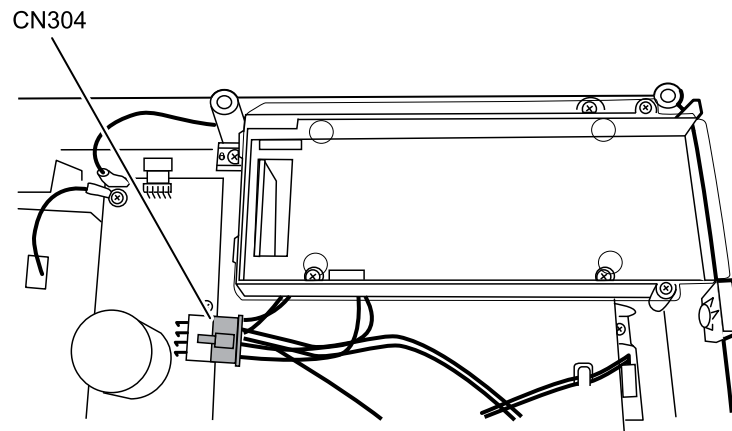
Gently open the two side-catches to remove the ECG ferrite and the ECG board harness from the printer top assembly.

**Note** Set the harness cable aside for reuse during reassembly.

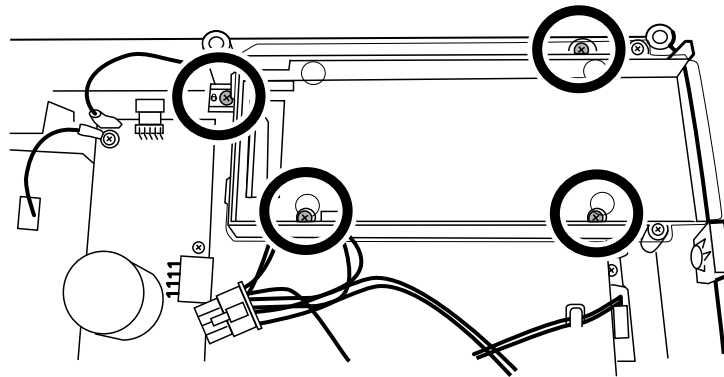


### Remove the battery housing cover and the battery connector board

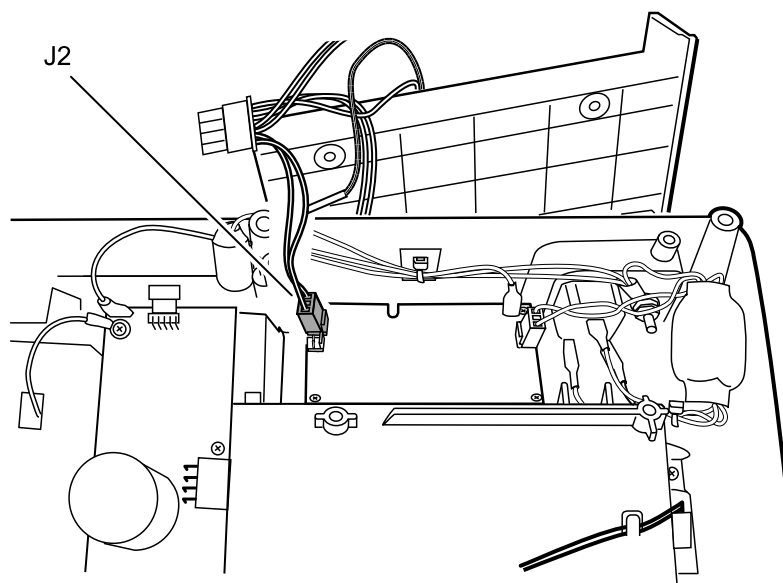
- Separate the top housing assembly from the bottom housing assembly as described.
1. Disconnect the CN304 connector from the printer board.



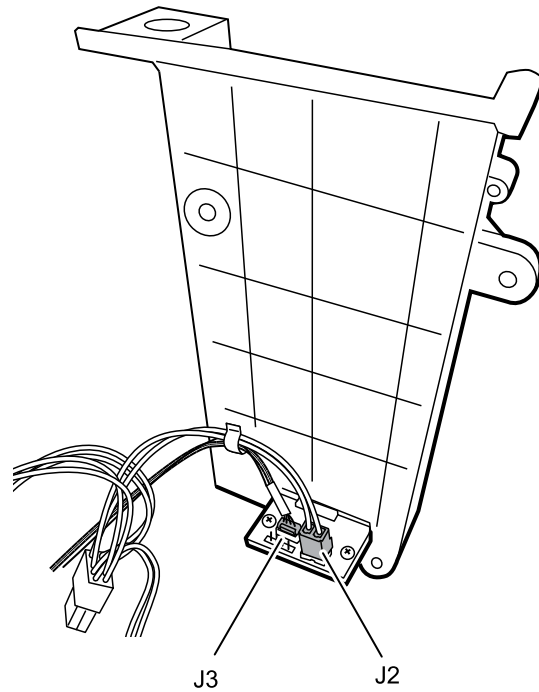
2. Remove the four M4 pan head screws from the battery housing top cover using a #2 Phillips bit.



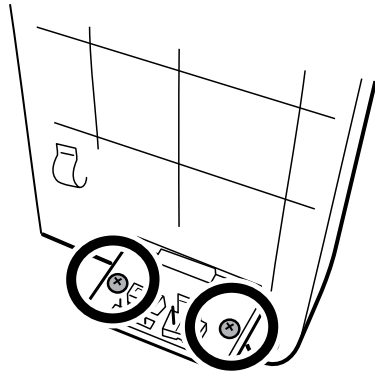
3. Lift up the battery housing bottom cover and disconnect the J2 connector from the power supply board.



4. Disconnect the J3 and J2 connectors from the battery connector board to remove the cables.



5. Remove the two 4-20 self-tapping screws from the battery connector board using a #1 Phillips bit.



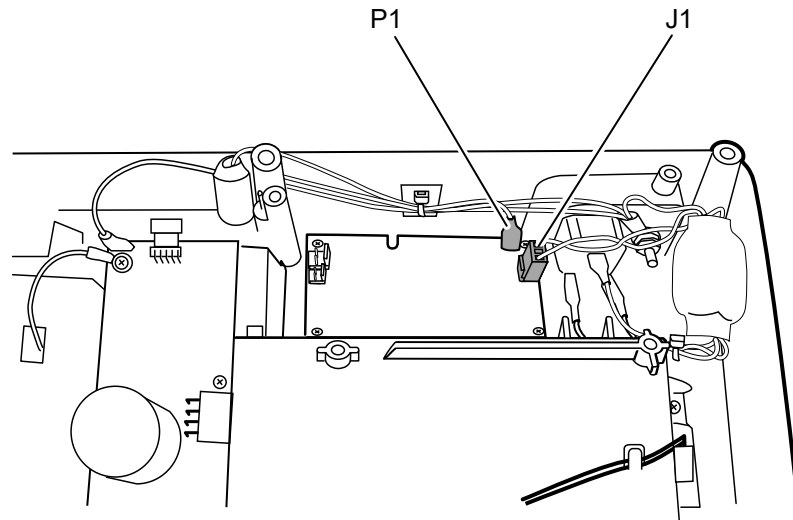
#### Reassembly notes

- Use a #1 Phillips bit and a Torque driver calibrated to 5.0 in-lb  $\pm$  0.5 in-lb to secure the two 4-20 self-tapping screws to the battery connector board.
- Use a #2 Phillips bit and a Torque driver calibrated to 5.0 in-lb  $\pm$  0.5 in-lb to secure the four M4 pan head screws to the battery housing top cover.

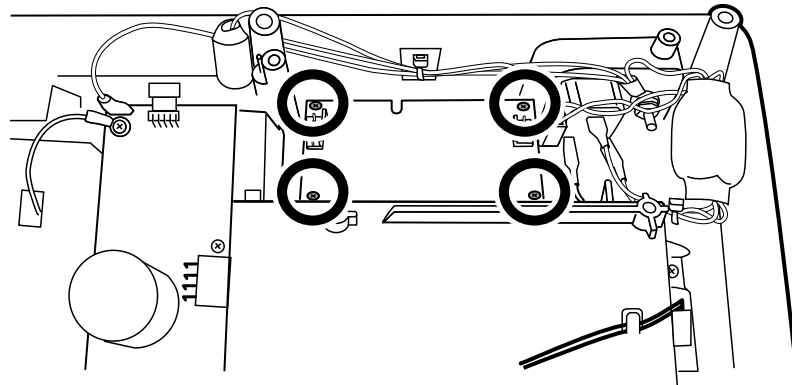
### Remove the power supply assembly

- Separate the top housing assembly from the bottom housing assembly as described.
1. Remove the P1 and J1 connectors from the power supply assembly.





2. Remove the four 4-20 self-tapping screws from the power assembly using a #1 Phillips bit.



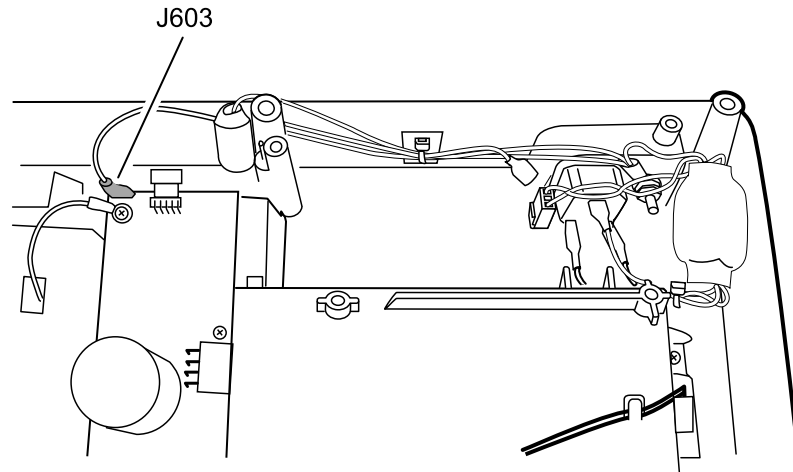
3. Remove the power supply.

**Reassembly note**

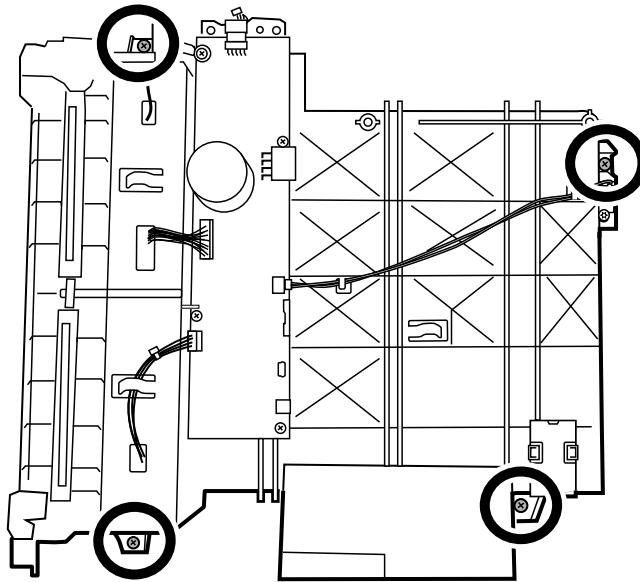
Use a #1 Phillips bit and a Torque driver calibrated to 5.0 in-lb  $\pm$  0.5 in-lb to secure the power supply screws.

## Remove and disassemble the printer assembly

- Separate the top housing assembly from the bottom housing assembly as described.
1. Remove the ground cable at the J603 connection from the printer board (PCA).

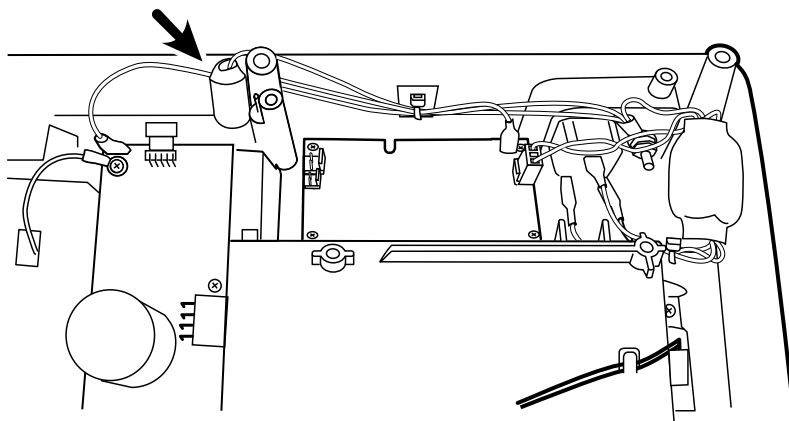


2. Remove the four M4 pan head screws from the printer assembly using a # 2 Phillips bit.



#### Reassembly notes

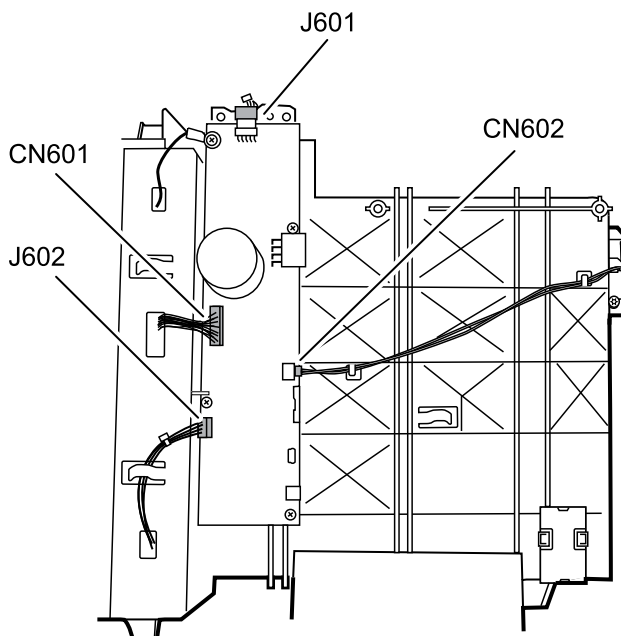
- Use a #2 Phillips bit and a Torque driver calibrated to 5.0 in-lb  $\pm$  0.5 in-lb to secure the printer assembly M4 pan head screws.
- Route the ground cable around the outside of the screw boss during reassembly.

**Ground cable routing for reassembly:****Remove the printer board**

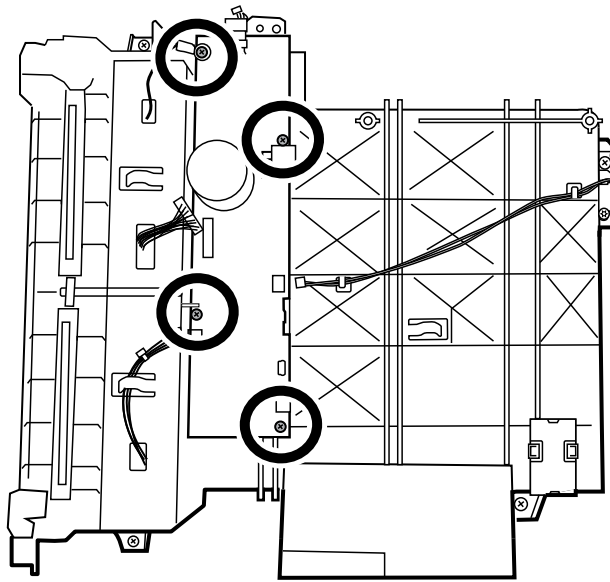
- Separate the top housing assembly from the bottom housing assembly as described.

**Note** Service the printer board as part of the complete printer assembly. The printer board is not available as a single component. These removal procedures provide instructions for system disassembly and board removal.

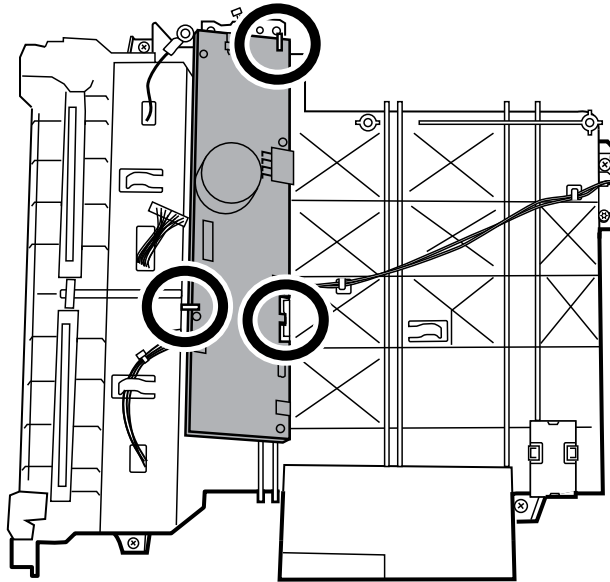
1. Remove the four connectors J602, CN601, J601, and CN602 from the printer board.



2. Remove the four 4-20 self-tapping screws from the printer board using a #1 Phillips bit.



3. Remove the printer board by lifting up the side nearest the print roller and sliding it out from the printer board catch.



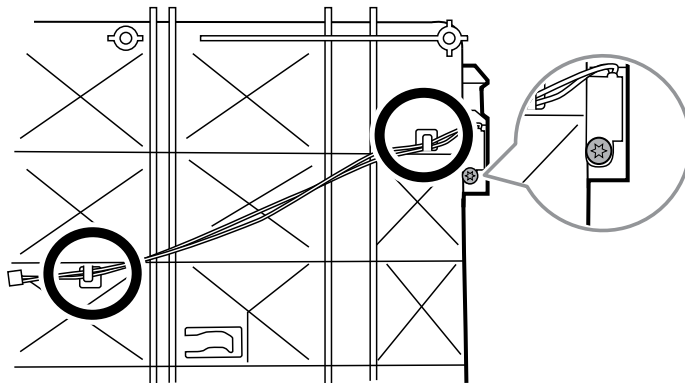
4. Separate the printer tray assembly from the printer top assembly by pressing the tray eject button and sliding out the paper tray assembly.

#### Reassembly note

- Use a #1 Phillips bit and a Torque driver calibrated to 5.0 in-lb  $\pm$  0.5 in-lb to secure the printer board 4-20 self-tapping screws.

### Remove the printer door sensor

- Separate the top housing assembly from the bottom housing assembly as described.
1. Remove the printer door sensor cable from the printer top assembly catches.
  2. Remove the 4-20 pan head screw from the printer top assembly using a #10 Torx bit.

**Reassembly note**

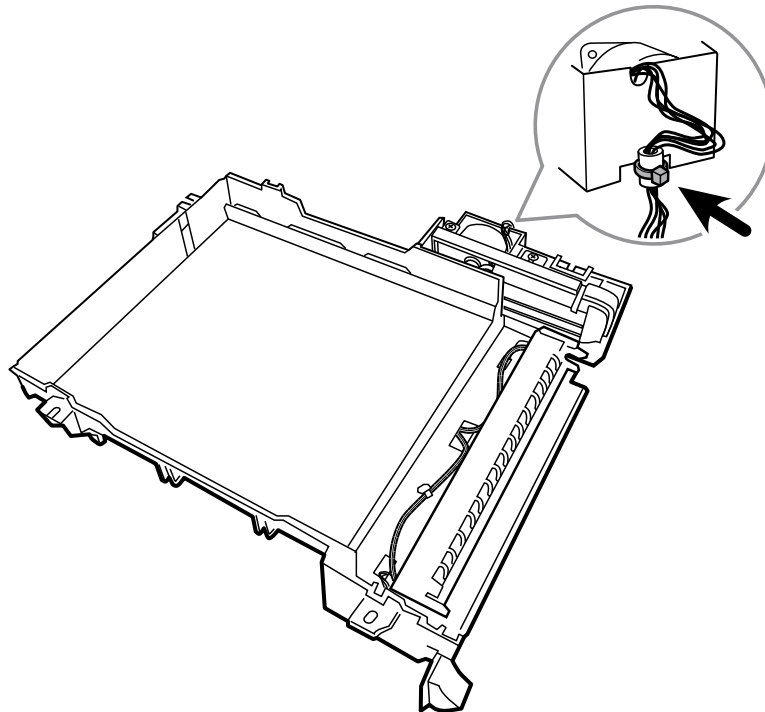
- Use a #10 Torx bit and a Torque driver calibrated to 5.0 in-lb  $\pm$  0.5 in-lb to secure the 4-20 pan head screw to the printer top assembly.

## Printer disassembly

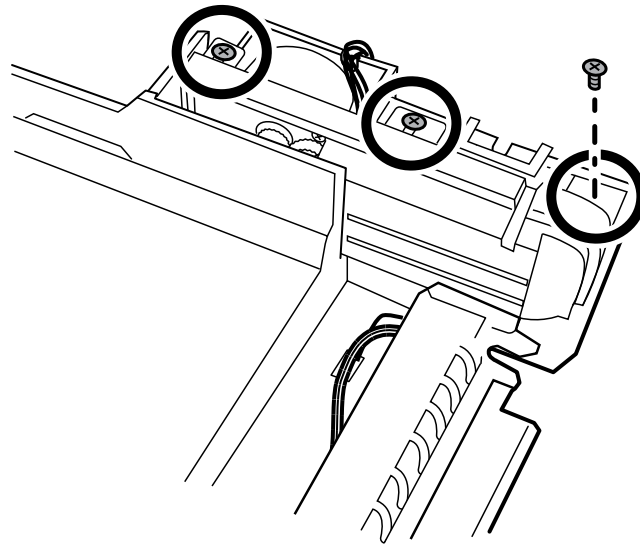
These procedures provide instructions for system disassembly and board removal. Except where otherwise noted, the assembly procedure is the reverse of the disassembly procedure.

### Remove the gear train and motor

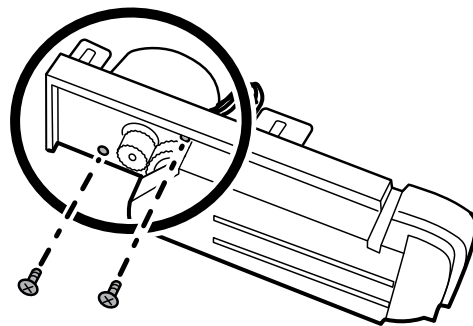
- Separate the top housing assembly from the bottom housing assembly as described.
  1. Cut the wire tie on the motor harness.



2. Remove the three 4-20 screws from the printer tray using a #1 Phillips bit.



3. Remove the two M3x6 screws from the gear train assembly using a #1 Phillips bit.

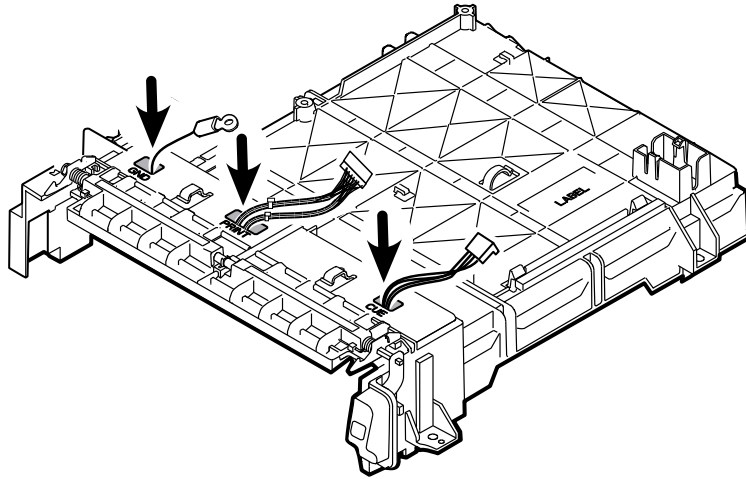


#### Reassembly notes

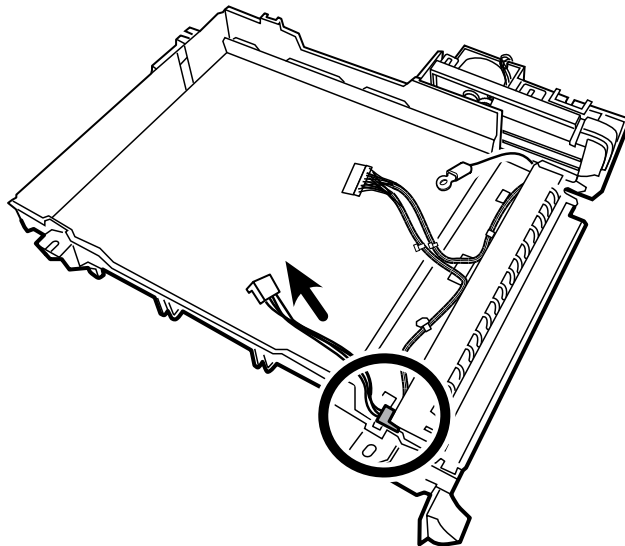
- Use a #1 Phillips bit and a Torque driver calibrated to 5.0 in-lb  $\pm$  0.5 in-lb to secure the motor assembly to the printer tray.
- Use a #1 Phillips bit and a Torque driver calibrated to 5.0 in-lb  $\pm$  0.5 in-lb to secure the gear train assembly to the motor assembly.

### Remove the print head assembly

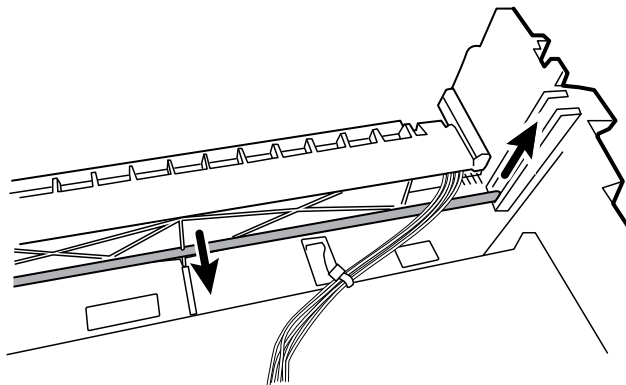
- Separate the top housing assembly from the bottom housing assembly as described.
1. Feed the 3 printer harnesses through the openings of the printer top housing.



2. Disconnect one connector of the Cue sensor board to remove the harness.



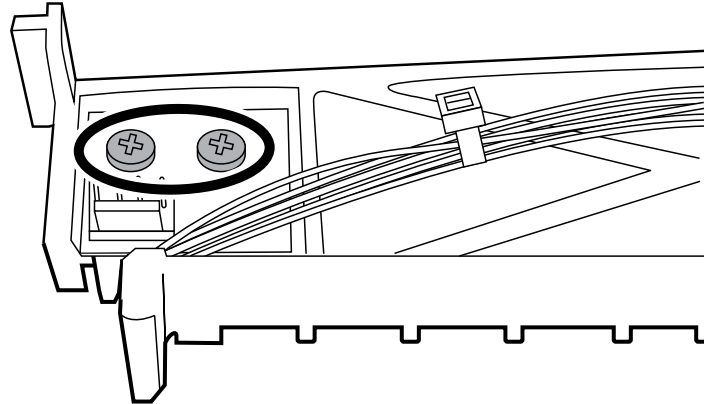
3. Pull the middle of the retaining rod slightly away from the print head and lift upward to remove the retaining rod from the ground-harness-side first.



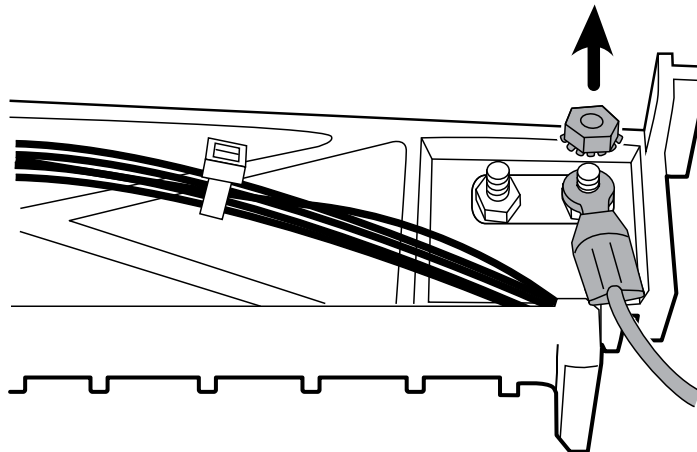
4. Slide the print head assembly inward and then upward through the retaining channel.

## Remove the Cue sensor board and the print head

1. Remove the two M3x0.5 screws from the Cue sensor board with a #1 Phillips bit.

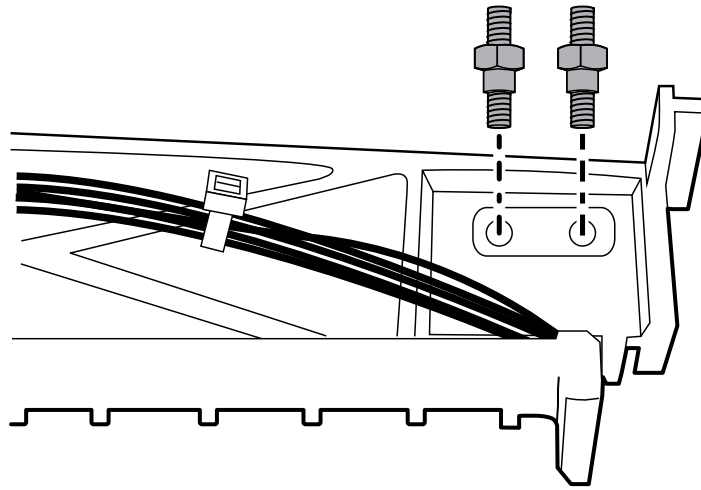


2. Remove the nut with 1/4" Hex Socket to remove the ground harness.

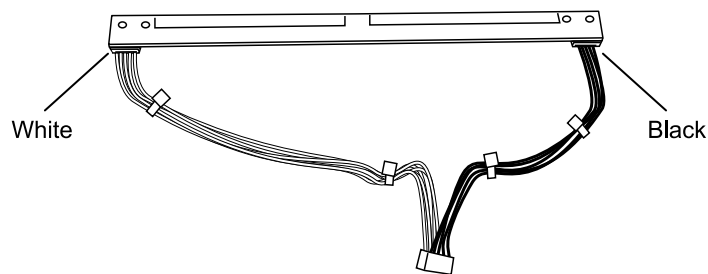


3. Remove the two shoulder screws with a 3/16" Hex Socket.





4. Remove the two connectors on each side of the print head to remove the print head harness.

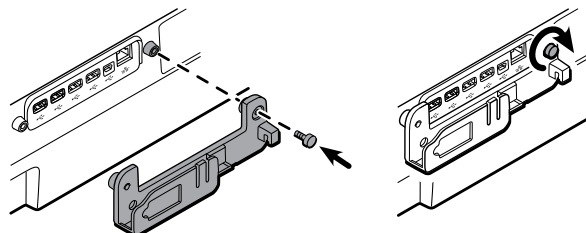


#### Reassembly notes

- Use a #1 Phillips bit and a Torque driver calibrated to 5.0 in-lb  $\pm$  0.5 in-lb to secure the Cue sensor board M3x0.5 screws.
- Use a 1/4" Hex Socket and a Torque driver calibrated to 3.5 in-lb  $\pm$  0.5 in-lb to secure the Cue sensor board nut.
- Use a 3/16" Hex Socket and a Torque driver calibrated to 4.0 in-lb  $\pm$  0.5 in-lb to secure the Cue sensor board two shoulder screws.
- Secure the shoulder screws to the Cue sensor board with each shoulder of the screw facing the board so that they fit into the board recess.

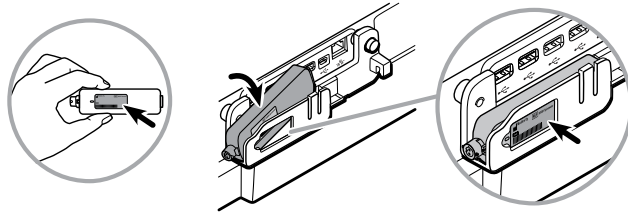
### Connecting the spirometer components

1. Attach the right side of the spirometer mounting bracket to the device using one of the thumb screws. Tighten the thumbscrew.

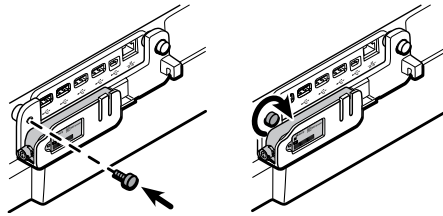


2. Insert the spirometer sensor into the mounting bracket.

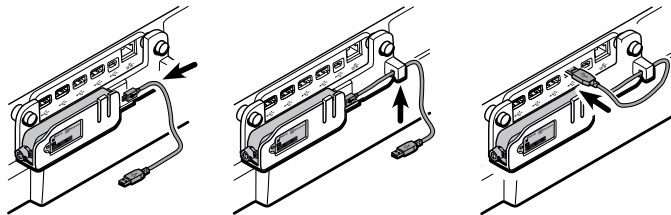
Ensure that the spirometer sensor label is visible in the mounting bracket window so that the mini USB cable connector installs correctly during the next steps.



3. Attach the left side of the spirometer mounting bracket to the device using the second thumb screw. Tighten the thumbscrew.



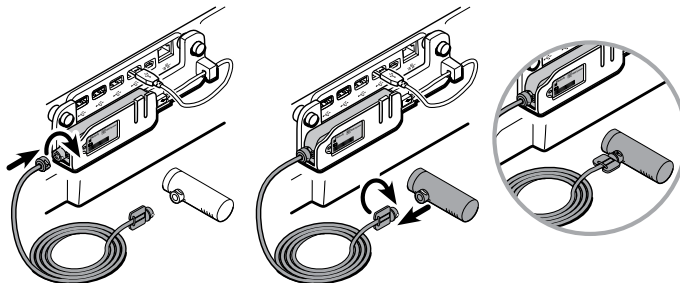
4. Insert the mini USB cable connector into the spirometer sensor mini USB port.
  - a. Insert the USB cable into the spirometer sensor mounting bracket groove to secure the cable.
  - b. Insert the USB cable connector into the device's first USB port, furthest to the right.



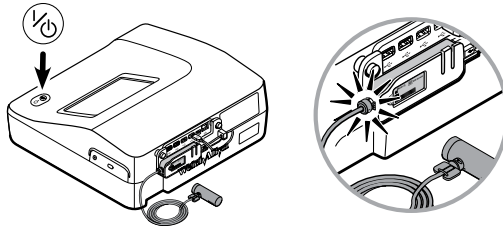
**Note**

The mounting bracket is designed to protect the spirometer sensor and USB cable and only accepts the USB cable mini connector when the spirometer sensor label faces outward.

5. Verify that the spirometer sensor and pressure tubing are clean and undamaged. Look for signs of deterioration, including but not limited to cracks, cuts, discoloration, or oxidation. If any part exhibits any of these symptoms, replace it.
  - a. Attach the pressure tubing to the spirometer sensor.
  - b. Attach a flow transducer to the pressure tubing.

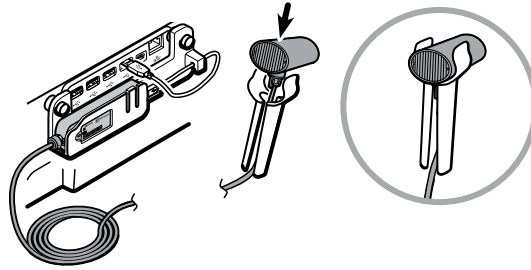


**CAUTION** Hand-tighten the spirometer sensor and flow transducer connectors to avoid damaging the connectors.



The CP 150 software automatically activates the spirometry functions throughout the software. Once the software recognizes the sensor, the *Spirometry* button appears in the Content area.

6. Push the flow transducer down onto the patient handle until it is secure.





## Field replaceable units

---

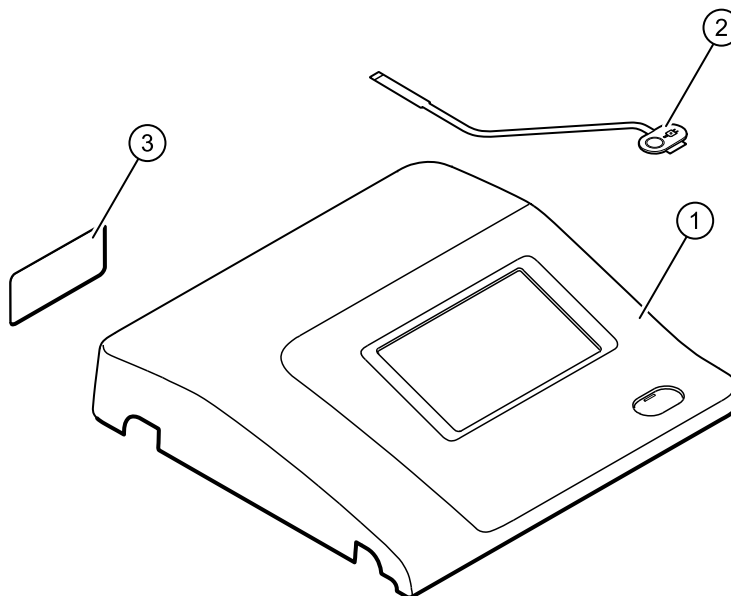
This listing includes only field-replaceable service parts.

**Note** Product accessories are listed separately in the *CP 150 12-lead resting electrocardiograph Directions for use* and the *CP 150 spirometry option Directions for use*.

**Note** While the service kits are shown with the contents listed underneath each kit, the service kit contents are not available as single components and are for illustrative purposes to provide instruction for system disassembly and part identification.

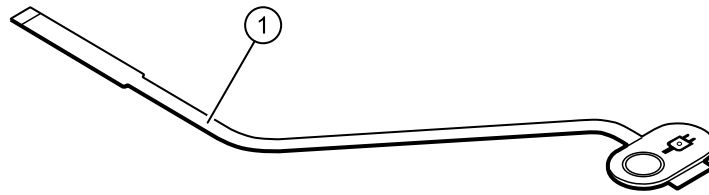
### Housing top assembly

Serv Kit, CP150, Hsg Top Assy 4ED (material no. CP150-0044) and Serv Kit, CP150, Hsg Top Assy WIFI 4ED (material no. CP150-0044W)



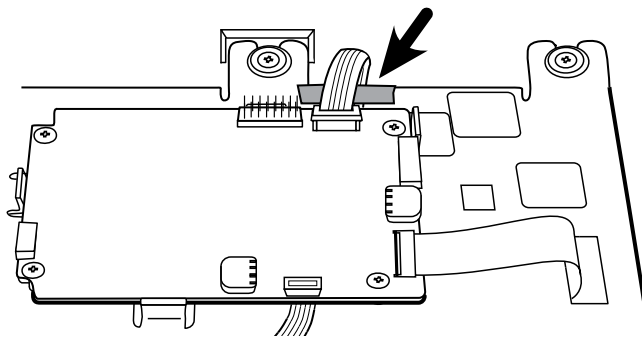
No.	Item	Qty
1	CP150 Subassembly Housing top	1 ea
2	CP150 Power Switch	1 ea
3	Product label	1 ea
n/a	Wire tie holder with adhesive	1 ea
n/a	CP150 ESD Switch tape	1 ea

### Serv Kit, CP150, Switch power assembly 4ED (material no. CP150-0040)

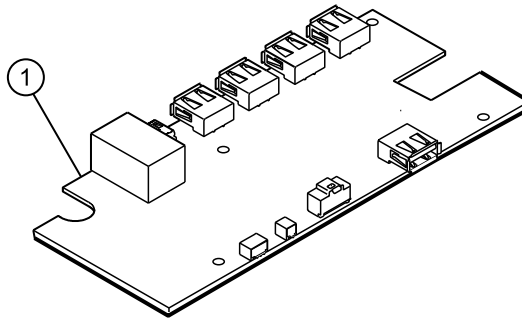


No.	Item	Qty
1	Switch power supply	1 ea
n/a	CP150 ESD Switch tape	1 ea

**Note** If you are adding the switch to a non-4th Edition compliant electrocardiograph, use the third piece of ESD Switch tape to secure the extra length of the power-switch flex cable to the LCD frame.

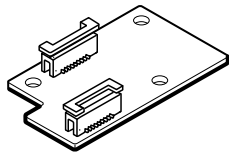


## Serv Kit, CP150, I/O PCA 4ED (material no. CP150-0048)



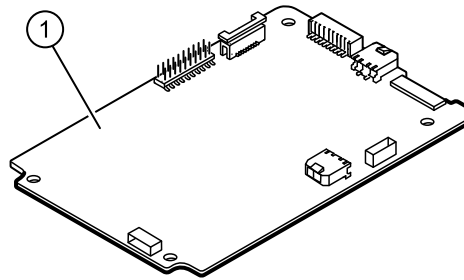
No.	Item	Qty
1	CP150 I/O PCA Assy	1 ea
n/a	Harness SMCE-I/O	1 ea
n/a	Harness I/O IF PRT	1 ea
n/a	CP150 EMC Harness Ferrite	1 ea
n/a	ECG Ferrite	1 ea
n/a	Wire tie	1 ea

## Serv Kit, CP150, ESD Filter PCBA 4ED (material no. CP150-0043)



No.	Item	Qty
1	CP150 ESD interface PCA	1 ea
n/a	CP150, 4TH-ED, ESD-SMCE, FFC	1 ea

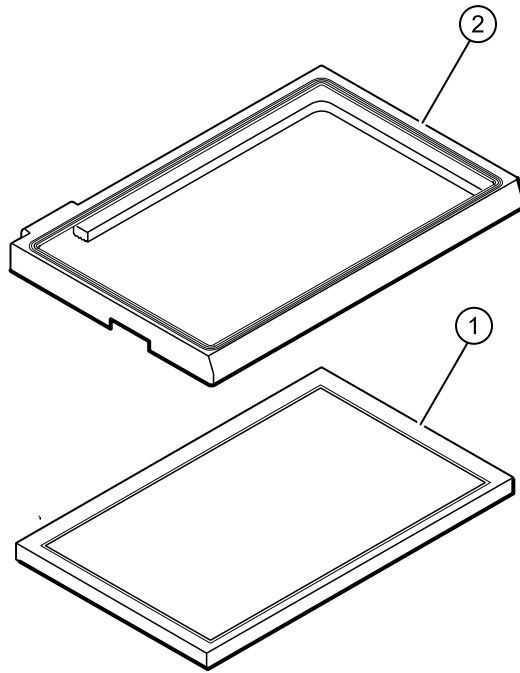
## Serv Kit, SMCE PCA (material no. CP150-0045)



No.	Item	Qty
1	Assy, Small Med Compute Eng (SMCE)	1 ea
n/a	Harness SMCE-I/O	1 ea
n/a	Harness I/O-LCD	1 ea
n/a	CP150 EMC Harness Ferrite	3 ea
n/a	ECG Ferrite	1 ea
n/a	Wire tie	3 ea

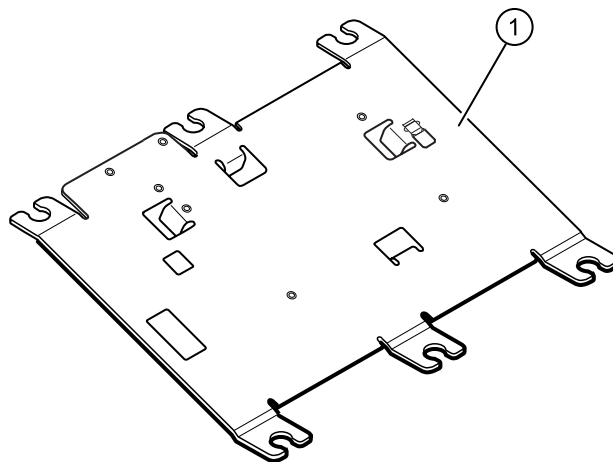


### Serv Kit, CP150, 7 Inch Display (material no. CP150-0002)



No.	Item	Qty
1	LCD Assy with Touch Panel	1 ea
2	LCD Bezel 7 inch	1 ea
n/a	Flex SMCE-LCD Display 7 inch	1 ea

### Serv Kit, LCD bracket (material no. CP150-0041)

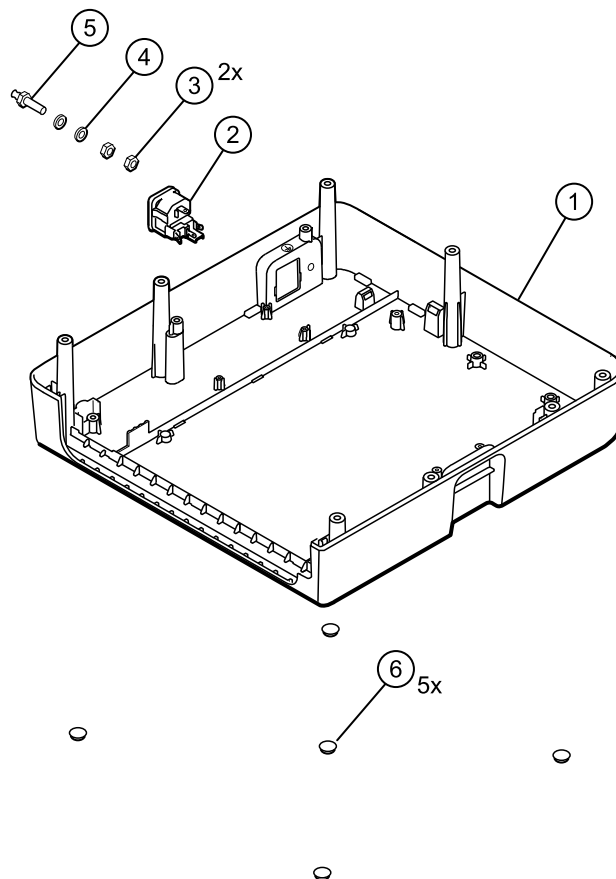


No.	Item	Qty
1	Frame LCD	1 ea
n/a	Wire tie holder with adhesive	2 ea

## Bottom assembly

### Srv Kit, CP150, Bottom assy W/D (material no. CP150-0036)

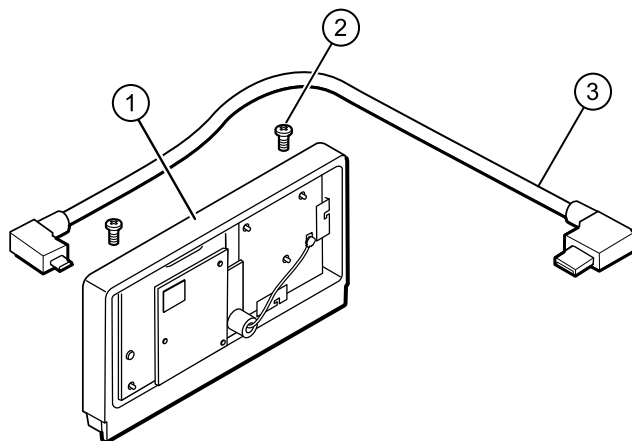
**Note** Replacement of the bottom assembly is limited to only Welch Allyn service personnel or an authorized Welch Allyn repair center.



No.	Item	Qty
1	Subassembly housing base	1 ea
2	IEC connector (Part number: 713047)	1 ea
3	Nut	2 ea
4	Washer lock serrated	1 ea

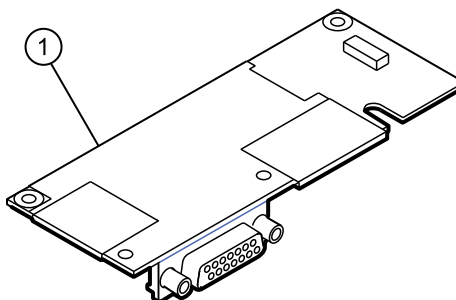
No.	Item	Qty
5	Ground poag	1 ea
6	Bumpers	5 ea

Serv Kit, Wireless radio Int W/D kit (material no. CP150-0039)



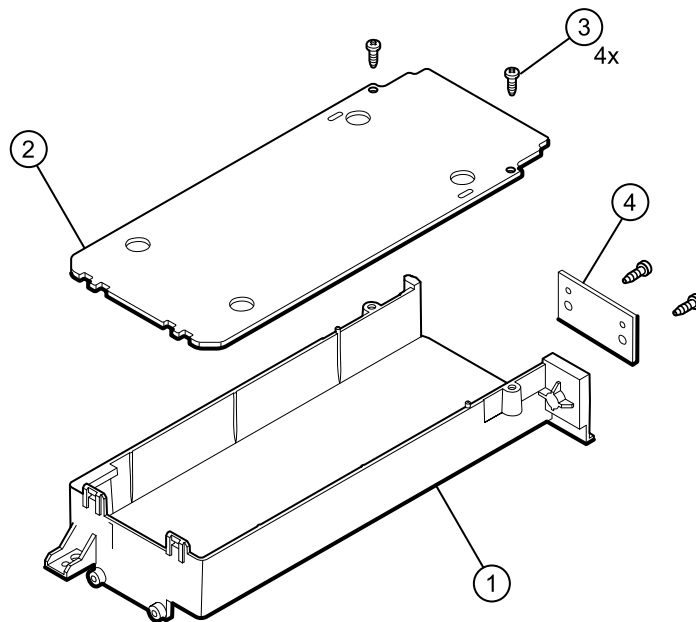
No.	Item	Qty
1	CP150 WiFi holder assembly	1 ea
2	M4x10 pan head screws	2 ea
3	CP150 WiFi USB cable	2 ea
n/a	Radio label	1 ea
n/a	Wire tie	1 ea

Serv Kit, CP150, ECG PCA 4ED (material no. CP150-0042)



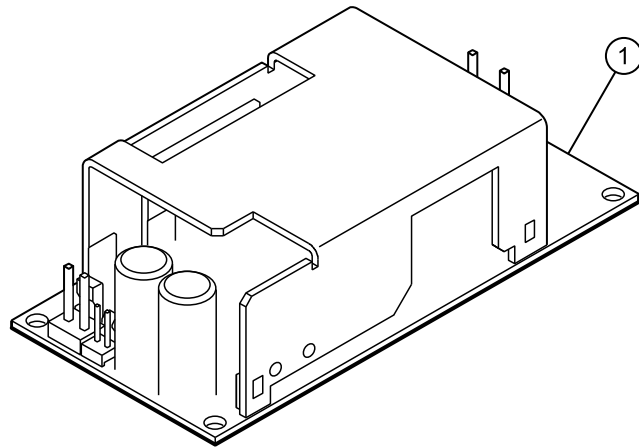
No.	Item	Qty
1	ECG PCA Assy	1 ea
n/a	CP150 Harness ECG SMCE	1 ea
n/a	ECG Ferrite	1 ea

### Serv Kit, Battery Case Assy (material no. CP150-0007)



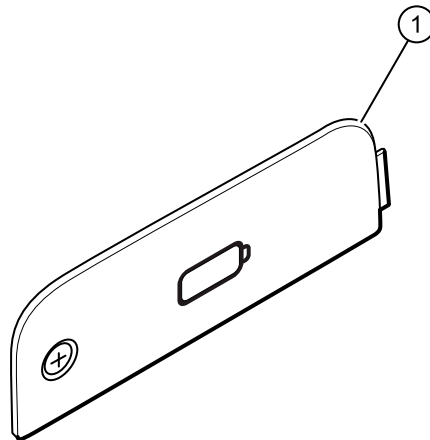
No.	Item	Qty
1	Assy Battery Cover bottom	1 ea
2	Battery Cover top	1 ea
3	Screw 4-20 pan Phillips	4 ea
4	PCA, Battery Connector	1 ea
n/a	Harness PSU-BAT-SMB-PRT-SMCE	1 ea

## Serv Kit, Power supply (material no. CP150-0016)



No.	Item	Qty
1	Power supply, 60 W	1 ea

## Serv Kit, Battery door (material no. CP150-0018)



No.	Item	Qty
1	Battery door	1 ea

### Serv Kit, Miscellaneous 4ED (material no. CP150-0047)

No.	Item	Qty
n/a	Screw 4-20 pan Phillips	30 ea
n/a	Screw M4X10	30 ea
n/a	Shoulder screw	10 ea
n/a	Pan head M3x5	10 ea
n/a	Pan Phillips M3x0.5	10 ea
n/a	Shoulder screw M3x0.5	10 ea
n/a	Nut 4-40	10 ea
n/a	Screw M3x6 php	10 ea
n/a	Screw, Plastite 4-20 pan head	10 ea
n/a	Wire tie	20 ea
n/a	Grommet ear	10 ea
n/a	Bumper	20 ea
n/a	Cable tie with adhesive	20 ea
n/a	CP150 ECG cover	10 ea
n/a	Screw, M3x0.5 pan with external lock washer	10 ea

### Serv Kit, Flex SMCE - LCD (material no. CP150-0020)

No.	Item	Qty
n/a	Flex SMCE - LCD	1 ea

### Serv Kit, SMCE - I/O harness kit 4ED (material no. CP150-0046)

No.	Item	Qty
n/a	SMCE I/O harness	1 ea
n/a	I/O LCD harness	1 ea
n/a	CP150 EMC harness ferrite	3 ea
n/a	ECG ferrite	1 ea

### Serv Kit, SMCE - ECG harness kit 4ED (material no. CP150-0049)

No.	Item	Qty
n/a	SMCE - ECG harness	1 ea
n/a	ECG ferrite	1 ea

### Serv Kit, PSU - BAT harness (material no. CP150-0025)

No.	Item	Qty
n/a	PSU - BAT - SMB - PRT - SMCE harness	1 ea

### Serv Kit, SMCE – Printer harness kit (material no. CP150-0050)

No.	Item	Qty
n/a	Print head harness	1 ea
n/a	Print earth harness	1 ea
n/a	Print cue harness	1ea

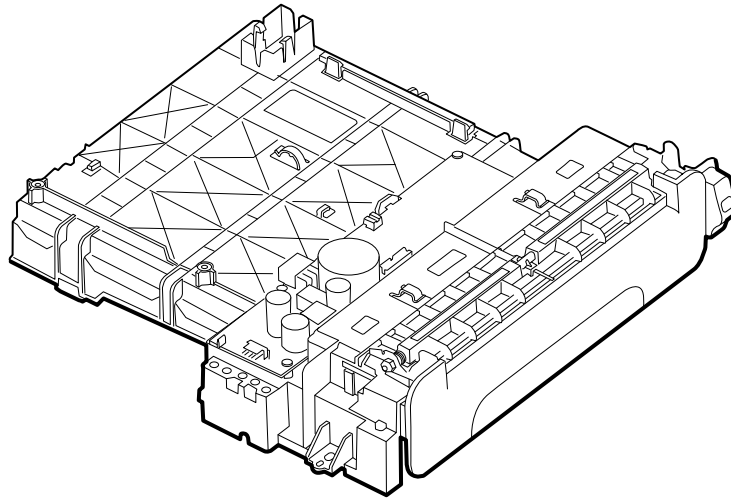
### Serv Kit, USB cable (material no. CP150-0027)

No.	Item	Qty
n/a	USB cable	1 ea

### Serv Kit, Printer module (material nos. CP150-0033 & CP150-0053)

**Note** The printer board service kit (material no. CP150-0008) is no longer available as a single component.

**Note** Devices with serial numbers 100025073421 and above require the RoHS3-compliant printer module service kit, material number CP150-0053, to be used. The non-RoHS3 compliant printer module service kit, material number: CP150-0033, will be available for use, until stock is depleted, to repair devices with serial numbers below 100025073421. Once remaining inventory of Non-RoHS3, printer module service kits, material number: CP150-0033, are used up, the RoHS3 compliant printer module service kits, material number: CP150-0053, may be used for all repairs in all devices regardless of serial number.

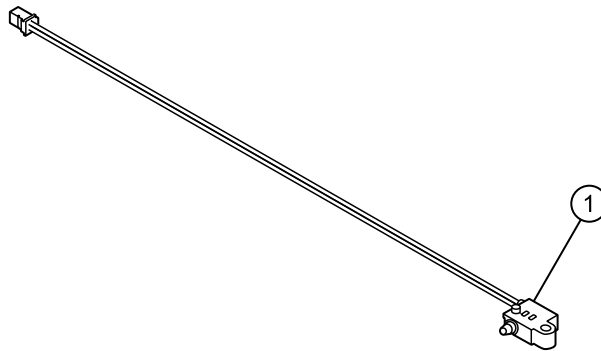


No.	Item	Qty
n/a	8 inch printer assembly	1 ea

**Serv Kit, Power harness kit (material no. CP150-0038)**

No.	Item	Qty
n/a	AC PSU and GND harness	1 ea

**Serv Kit, Door Sensor (material no. CP150-0014)**

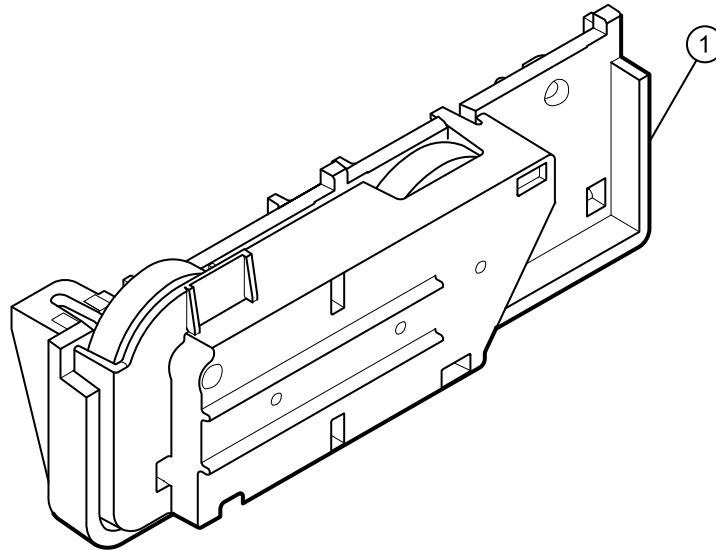


No.	Item	Qty
1	Door Sensor	1 ea
n/a	Plastite 4-20x.5 pan head screw	1 ea



## Printer assembly

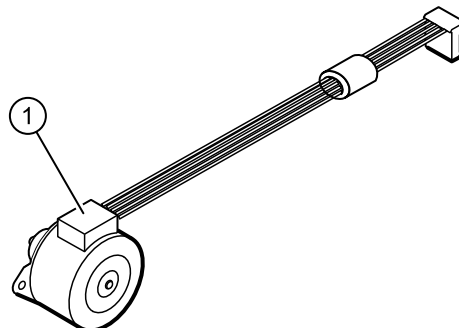
### Serv Kit, Gear Train Assy (material no. CP150-0012)



No.	Item	Qty
1	Gear train assy	1 ea

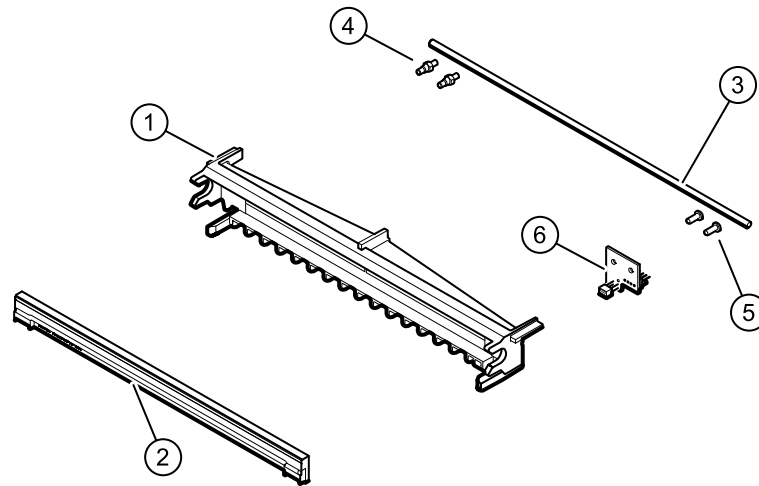
### Serv Kit, Motor Assy (material nos. CP150-0013 & CP150-0052)

**Note** Devices with serial numbers 100025073421 and above require the RoHS3-compliant motor assembly service kit, material number CP150-0052, to be used. The non-RoHS3 compliant motor assembly service kit, material number: CP150-0013, will be available for use, until stock is depleted, to repair devices with serial numbers below 100025073421. Once remaining inventory of Non-RoHS3 motor assembly service kits, material number: CP150-0013, are used up, the RoHS3 compliant motor assembly service kits, material number: CP150-0052, may be used for all repairs in all devices regardless of serial number.



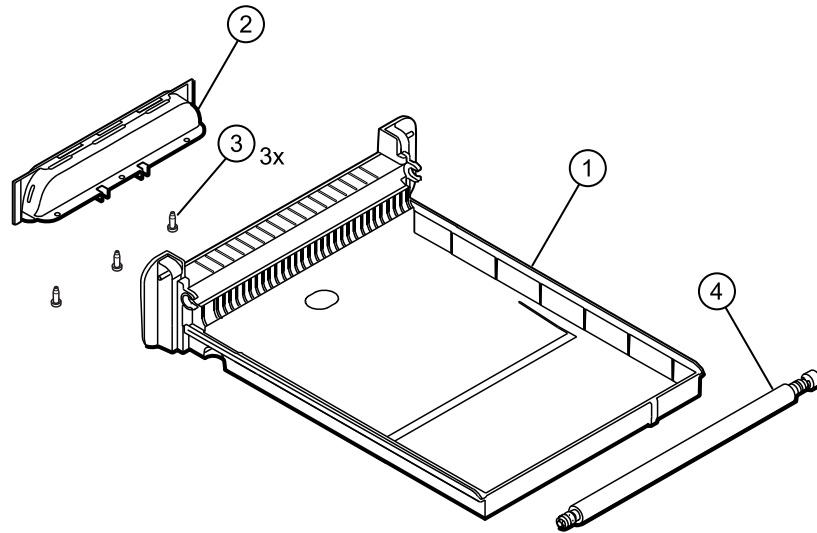
No.	Item	Qty
1	Harness motor	1 ea
n/a	Wire tie	1 ea

### Serv Kit, Print Head Assy (material no. CP150-0011)



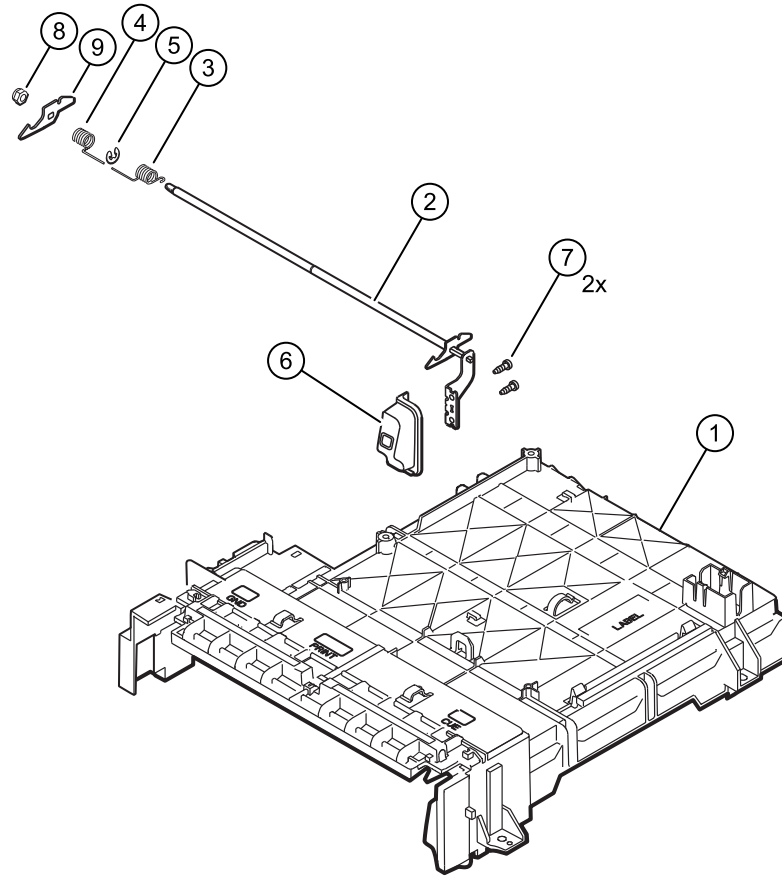
No.	Item	Qty
1	Printhead Holder	1 ea
2	Printhead	1 ea
3	Printhead spring	1 ea
4	Shoulder screws M3x0.5	2 ea
5	Screw pan head Phillips M3 x 0.5	2 ea
6	Cue Sensor PCBA	1 ea
n/a	Harness Print Cue	1 ea
n/a	Brush anti-static	2 ea
n/a	Harness Printhead	1 ea
n/a	Nut 4-40	1 ea
n/a	Harness print-earth	1 ea

## Serv Kit, CP150, Tray paper assy (material no. CP150-0009)



No.	Item	Qty
1	Printer 8 in Assy Tray	1 ea
2	Printer 8 in Assy top (handle)	1 ea
3	Screw 4-20 .375 pan Phillips	3 ea
4	Printer 8 in Platen Roller Assy	1 ea

## Serv Kit, Printer Top Assy (material no. CP150-0010)



No.	Item	Qty
1	Housing top	1 ea
2	Latch assy	1 ea
3	Coil spring right	2 ea
4	Coil spring left	1 ea
5	Retaining ring	1 ea
6	Printer button	1 ea
7	Screw 4-20	2 ea
8	Locknut	1 ea
9	Latch left	1 ea
n/a	CP150 ECG cover	1 ea
n/a	Wire tie holder with adhesive	1 ea

## Partners in Care service and support agreements

---

<b>Material no.</b>	<b>Item</b>
S1-CP150	CP150, Comprehensive partnership program 1 year
S1-CP150-2	CP150, Comprehensive, Comprehensive partnership program 2 years
S2-CP150	CP150, Bio-med partnership program 1 year
S2-CP150-2	CP150, Bio-med partnership program 2 years
S4-CP150	CP150, extended warranty, 1 year
S4-CP150-2	CP150, extended warranty, 2 years

**Note** Service and support agreements are not available at all levels, in every market. Contact your local Welch Allyn Customer Service Center for availability.

## Preventive service

<b>Material no.</b>	<b>Item</b>
PRV-001	Preventive Svc WA Bench per unit
PRV-002	Preventive Svc planned onsite per unit



# Appendices

---

## Decontamination and cleaning requirements

As a general safety precaution, the device must undergo decontamination before being returned to Welch Allyn for service, repair, inspection, or disposal.

**Note** Contaminated items must not be returned without prior, written agreement.

**Note** Decontaminate the device according to your facility's procedures and local regulations.

Cleaning is an essential prerequisite for effective disinfection or decontamination.

**Note** The following guidelines apply to the device only. For peripheral items, follow the cleaning instructions in the directions for use that accompany these accessories.



**WARNING** Before you clean the CP 150 Electrocardiograph, unplug it from the wall socket.



**WARNING** Electric shock hazard. DO NOT autoclave the CP 150 Electrocardiograph or accessories.



**WARNING** Liquids can damage electronics inside the CP 150 Electrocardiograph. Prevent liquids from spilling on or dripping into the CP 150 Electrocardiograph. If liquids are spilled on or drip into the CP 150 Electrocardiograph:

1. Disconnect the power plug.
2. Dry off excess liquid from the CP 150 Electrocardiograph.
3. Verify that the CP 150 Electrocardiograph functions normally before using it.

Clean the CP 150 Electrocardiograph on a routine basis according to your facilities protocols and standards or local regulations.

The following agents are compatible with the electrocardiograph:

- 70 percent isopropyl alcohol
- 10 percent chlorine bleach solution



**CAUTION** When cleaning the device, avoid using cloths or solutions that include quaternary ammonium compounds (ammonium chlorides) or glutaraldehyde-based disinfectants.

**Note** Disinfect according to your facility's protocols and standards or local regulations.

### 70 percent isopropyl alcohol

Wipe the electrocardiograph with a clean cloth slightly dampened with 70 percent isopropyl alcohol.

### 10 percent chlorine bleach solution

1. Wipe the electrocardiograph with a clean cloth slightly dampened with a 10 percent bleach and water solution. Follow the cleaning agent manufacturer's guidelines.
2. Rinse with a clean cloth slightly dampened with water that meets EP and USP quality standards.
3. Allow the electrocardiograph surface to dry for a minimum of 10 minutes before using the electrocardiograph.

## Cleaning the spirometer, calibration syringe, and patient handle



**WARNING** Change the flow transducer for each patient.



**WARNING** Satisfactory maintenance procedures must be implemented, or equipment failure and health hazards may result. Only qualified service personnel should repair the equipment.



**CAUTION** You cannot clean the spirometer or any of its components.



**CAUTION** Do not clean the pressure tubing or sensor. Trapped moisture could affect accuracy.



**CAUTION** Replace the pressure tubing when it becomes dirty or every 3 months, whichever comes first. Recalibrate after replacement.



**CAUTION** Replace the sensor when it becomes faulty.

## Cleaning the calibration syringe

Wipe the outer surface of the calibration syringe with a clean cloth slightly dampened with 70 percent isopropyl alcohol.

## Cleaning the patient handle



**WARNING** Keep the patient handle clean. Patient contact with contaminated equipment can spread infection.

**Note** Clean the patient handle after each patient use.

Clean on a routine basis according to your facility's protocols and standards or local regulations.

The following cleaning and disinfection agents are compatible with the patient handle:



- 70 percent isopropyl alcohol
- 10 percent chlorine bleach solution



**CAUTION** When cleaning the patient handle, do not use cloths or solutions that include quaternary ammonium compounds (ammonium chlorides) or glutaraldehyde-based disinfectants.

**Note** Disinfect according to your facility's protocols and standards or local regulations.

# Interconnect diagram

