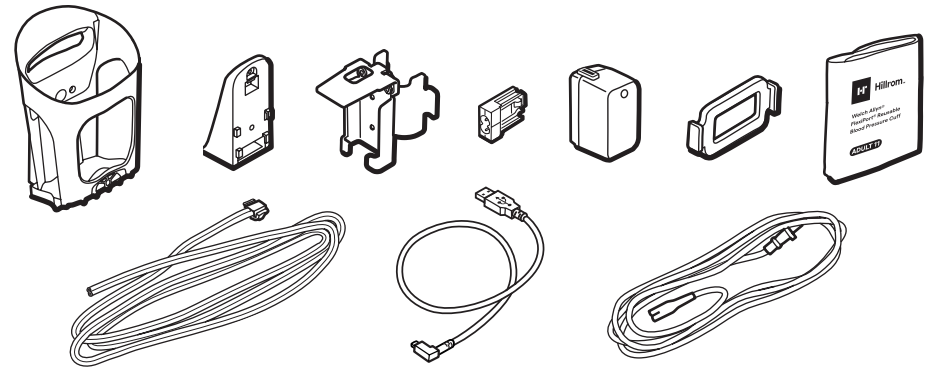


Welch Allyn® Connex® ProBP™ 3400 Mobile Stand Accessory



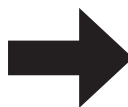
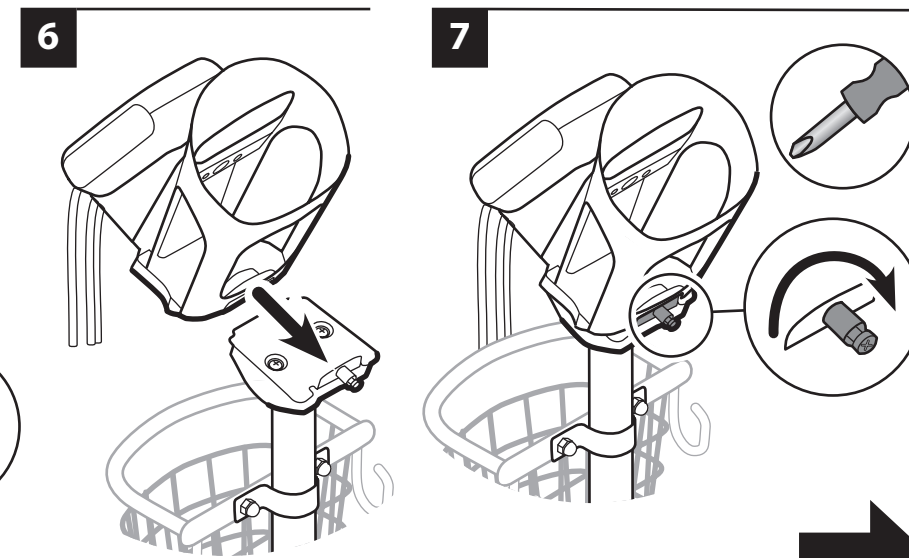
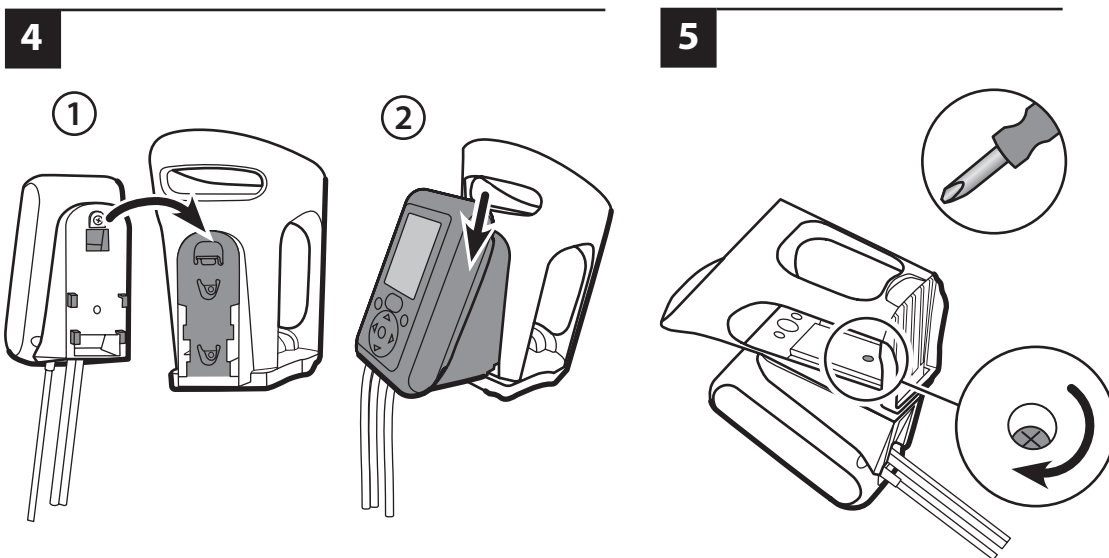
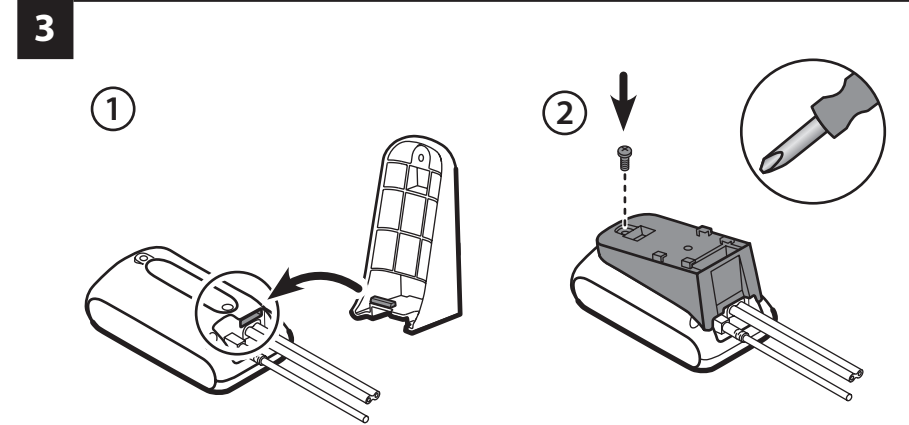
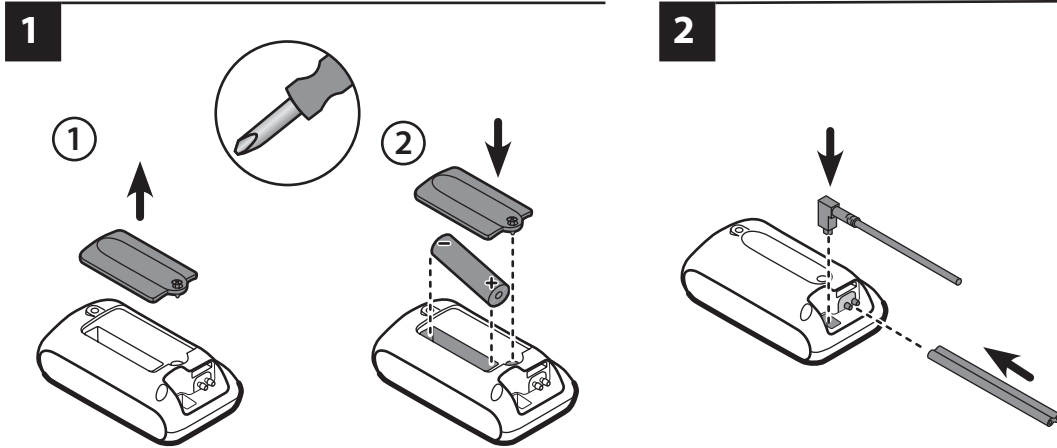
REF 4600 Series

Mat. No. 773570, 80027999 Ver. B
Revision date: 2021-04

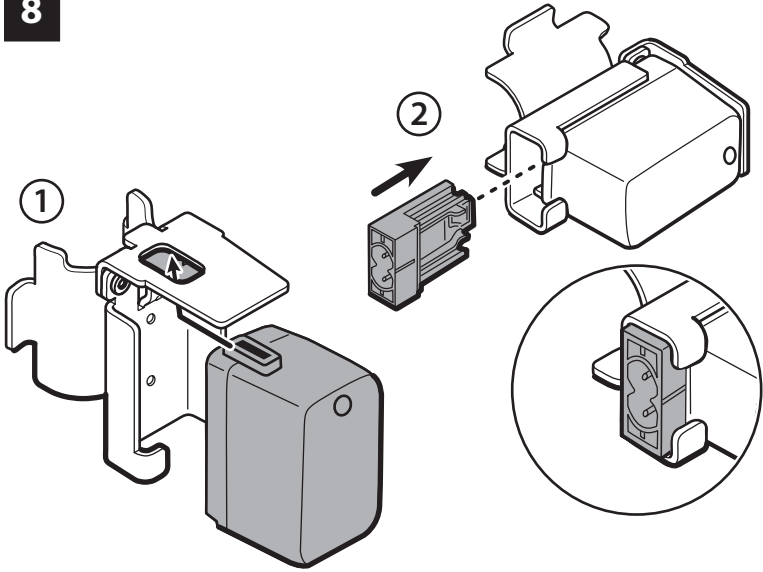
hillrom.com

Hillrom Technical Support hillrom.com/en-us/about-us/locations/
Welch Allyn, Inc. is a subsidiary of Hill-Rom Holdings, Inc.

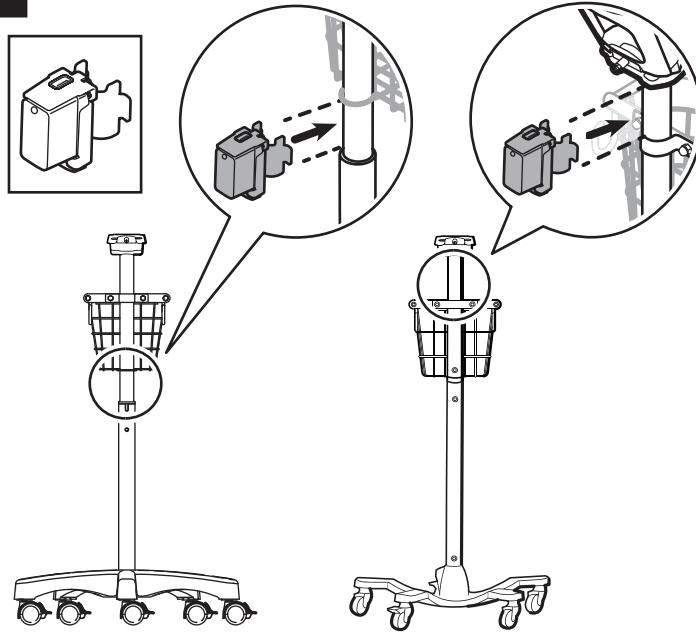
©2021 Welch Allyn, Inc. All rights reserved.



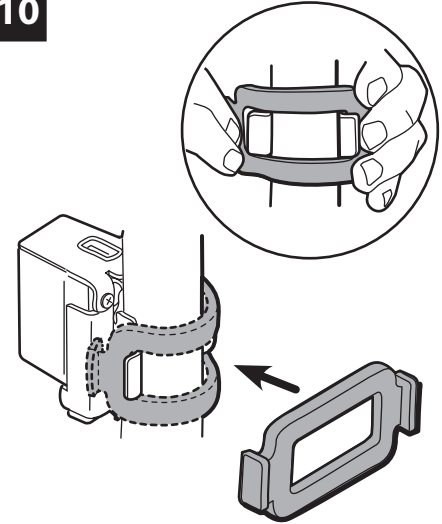
8



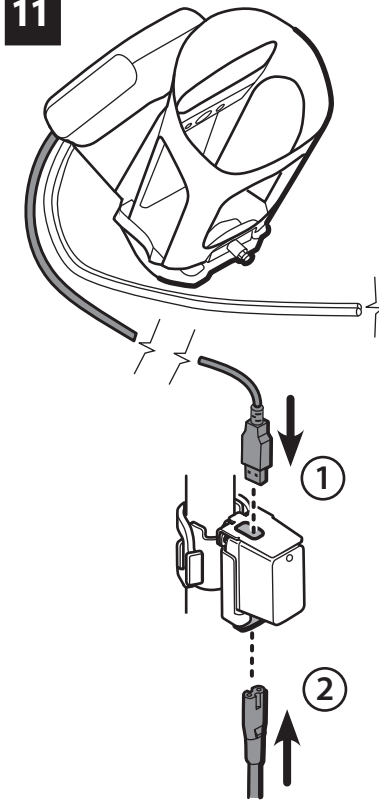
9



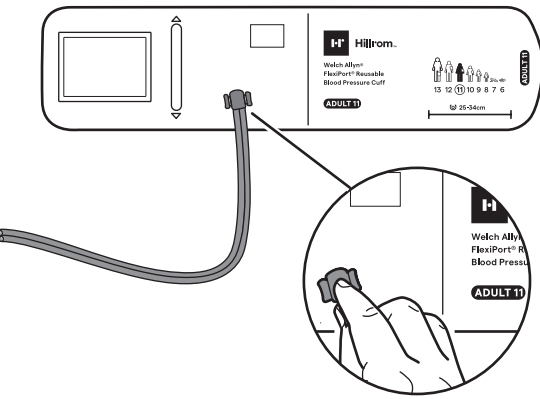
10



11



12



13

